



**MASTER**  
CLIMATE SOLUTIONS







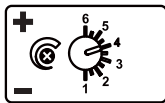
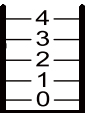





<b>Dantherm S.p.A.</b> Via Gardesana 11, -37010- Pastrengo (VR), Italy	<b>Dantherm S.p.A.</b> Виа Гардесана 11, 37010 Пастренго (Верона), Италия
<b>Dantherm Sp. z o.o.</b> ul. Magazynowa 5A, 62-023 Gądkі, Poland	<b>Dantherm Sp. z o.o.</b> ул. Магазинова, 5А, 62-023 Гадки, Польша
<b>Dantherm LLC</b> ul. Transportnaya - 22 ownership 2, 142802, STUPINO, Moscow region, Russia	<b>ООО «Дантерм»</b> Ул. Транспортная, владение 22/2, 142802, г.Ступино, Московская обл., РФ
<b>Dantherm China LTD</b> Unit 2B, 512 Yunchuan Rd., Shanghai, 201906, China	<b>Dantherm China LTD</b> Юньчуань роад, 512, строение 2В, Шанхай, 201906, Китай
<b>Dantherm SP S.A.</b> C/Calabozos, 6 Polígono Industrial, 28108 Alcobendas (Madrid) Spain	<b>Dantherm SP S.A.</b> Ц/Калабозос, 6 Полигоно Индустириал, 28108 Алкобендас (Мадрид) Испания

USER AND MAINTENANCE BOOK	<b>en</b>
LIBRETTO USO E MANUTENZIONE	<b>it</b>
BEDIENUNGS- UND WARTUNGSANLEITUNG	<b>de</b>
MANUAL DE INSTRUCCIONES PARA EL USO Y MANTENIMIENTO	<b>es</b>
MANUEL D'UTILISATION ET DE MAINTENANCE	<b>fr</b>
HANDLEIDING VOOR GEBRUIK EN ONDERHOUD	<b>nl</b>
VEJLEDNING OM BRUG OG VEDLIGEHOLDELSE	<b>da</b>
INSTRUKCJA OBSŁUGI I KONSERWACJI	<b>pl</b>
LIETOŠANAS UN TEHNISKĀS APKOPES GRĀMATIŅA	<b>lv</b>
KASUTUS- JA HOOLDUSJUHEND	<b>et</b>
PŘÍRUČKA PRO POUŽITÍ A ÚDRŽBU	<b>cs</b>
HASZNÁLATI ÉS KARBANTARTÁSI KÉZIKÖNYV	<b>hu</b>
LIVRET DE UTILIZARE ŞI ÎNTREȚINERE	<b>ro</b>
НАРЪЧНИК ЗА ИЗПОЛЗВАНЕ И ПОДДРЪЖКА	<b>bg</b>
РУКОВОДСТВО ПО ЭКСПЛУАТАЦИИ И ТЕХНИЧЕСКОМУ ОБСЛУЖИВАНИЮ	<b>ru</b>
KÄYTTÖ- JA HUOLTO-OHJE	<b>fi</b>
HEFTE FOR BRUK OG VEDLIKEHOLD	<b>no</b>
ПАЙДАЛАНУ ЖӘНЕ ТЕХНИКАЛЫҚ ҚЫЗМЕТ КӨРСЕТУ ЖЕТЕКШІЛІГІ	<b>kk</b>

***XL 9ER - XL 9SR***

TECHNICAL DATA - DATI TECNICI - TECHNISCHE DATEN - CARACTERÍSTICAS TÉCNICAS - DONNÉES TECHNIQUES - TECHNISCHE GEGEVENS SPECIFIKATIONER - DANE TECHNICZNE - TECHNICKÉ PARAMETRY - ТЕХНИЧЕСКИЕ ХАРАКТЕРИСТИКИ - TEKNISET TIEDOT - TEKNISCHE DATA - ТЕХНИКАЛЫҚ КӨРСЕТКІШТЕР КЕСТЕСІ

<b>MODEL</b>	<b>XL 9ER</b>	<b>XL 9SR</b>	
	43 kW-кВт 37.000 kcal/h-ккал/ч 146.900 Btu/h-БТЕ/ч	29 kW-кВт 25.000 kcal/h-ккал/ч 99.300 Btu/h-БТЕ/ч	43 kW-кВт 37.000 kcal/h-ккал/ч 146.900 Btu/h-БТЕ/ч
	3,37 kg/h-кг/ч	P1 2,3 kg/h-кг/ч P2 3,37 kg/h-кг/ч	
	DIESEL-KEROSENE дизель-керосин	DIESEL-KEROSENE дизель-керосин	
	60 l-л	60 l-л	
	~220-240 V-B (-15%÷10%) 50-60 Hz-Гц 0,6 A	~220-240 V-B (-15%÷10%) 50-60 Hz-Гц 0,7 A	
	~110-120 V-B (-15%÷10%) 50-60 Hz-Гц 1,2 A	~110-120 V-B (-15%÷10%) 50-60 Hz-Гц 1,4 A	
	69 kg-кг	69 kg-кг	
	4 - 4,5	4 - 4,5	
	4	4	
	0,85 GpH 60°H DANFOSS	0,60 GpH 60°H DANFOSS	
	10 bar-бар	10 bar-бар / 18 bar-бар	

 **IMPORTANT:** In order to have a correct function you must use an electrical generator in class G3 or more (frequency variation  $\pm 1\%$ , tension variation  $\pm 2\%$ ). The maximum power of electrical generator must be three time the nominal power of device that you must connect.

- ▶ **en - IMPORTANT:** *Be sure to read and understand this operating manual before assembling, the set up and functioning or the maintenance of this heater. The misuse of this heater can cause serious injuries. Conserve this manual for future reference.*
- ▶ **it - IMPORTANTE:** *Leggere e comprendere questo manuale operativo prima di effettuare l'assemblaggio, la messa in funzione o la manutenzione di questo riscaldatore. L'uso errato del riscaldatore può causare lesioni gravi. Conservare questo manuale a titolo di futuro riferimento.*
- ▶ **de - WICHTIG:** *Lesen und verstehen Sie dieses Handbuch vor der Montage, der Inbetriebnahme oder der Wartung dieses Heizgerätes. Falscher Gebrauch des Heizgerätes kann zu schweren Schäden führen. Bewahren Sie dieses Handbuch für zukünftiges Nachschlagen auf.*
- ▶ **es - IMPORTANTE:** *Leer atentamente este manual de Uso y Mantenimiento, antes de utilizar por primera vez este equipo, prestando mucha atención a todas las recomendaciones indicadas. El uso inadecuado del calentador, puede causar daños graves a personas, animales o cosas. Conservar este manual en lugar seguro y siempre a disposición para futuras consultas.*
- ▶ **fr - IMPORTANT:** *Lire attentivement et comprendre ce manuel avant d'effectuer l'assemblage, la mise en marche ou l'entretien du réchauffeur. Le mauvais usage de celui-ci peut provoquer de graves lésions. Conserver ce manuel comme futur objet de référence.*
- ▶ **nl - BELANGRIJK:** *Bestudeer deze handleiding alvorens het apparaat in elkaar te zetten, in gebruik te nemen, of van een onderhoudsbeurt te voorzien. Verkeerd gebruik van de verwarming kan ernstig letsel tot gevolg hebben. Bewaar deze handleiding voor verdere naslag.*
- ▶ **da - VIGTIGT:** *Denne manuale bør læses og forstås før monteringen, ibrugtagningen eller vedligeholdelsen af dette varmeapparat udføres. Et ukorrekt brug af varmeapparatet kan medføre alvorlige personlige skader. Opbevar denne manuale for yderligere henvisninger.*
- ▶ **pl - WAŻNE:** *Przed przystąpieniem do montażu, ustawiania i eksploatacji lub konserwacji promiennikowej nagrzewnicy powietrza należy przeczytać i zrozumieć informacje zamieszczone w niniejszej instrukcji obsługi. Niewłaściwe użytkowanie nagrzewnicy może skutkować poważnymi obrażeniami ciała. Instrukcję należy zachować do wykorzystania w przyszłości.*
- ▶ **lv - SVARĪGI:** *Uzmanīgi izlasiet visas instrukcijas pirms sāksiet iekārtas ekspluatāciju vai tehnisko apkopi. Ēģenerators nepareiza lietošana var izraisīt nopietnus miesas bojājumus: tādus kā apdegumi ugunsgrēka vai sprādziena gadījumā, elektriskais šoks, nosmakšana no tvana gāzes.*
- ▶ **et - OLULINE TEAVE:** *Enne soojendi paigaldamist, käivitamist või hooldamist lugege kogu käesolev kasutusjuhend hoolikalt läbi. Soojendi ebaõige kasutamine võib tekitada tõsiseid kehavigastusi. Hoidke kasutusjuhend alles.*
- ▶ **cs - DŮLEŽITÉ UPOZORNĚNÍ:** *Než přistoupíte k montáži, nastavení a používání či údržbě naftového infračerveného topidla, pečlivě si přečtete informace uvedené v tomto návodu k obsluze. Nesprávné používání topidla může mít za následek vážná zranění. Návod pečlivě uschovejte pro pozdější použití.*
- ▶ **hu - FONTOS:** *A hőszugárzó összeszerelése, beállítás, működtetése vagy karbantartása előtt figyelmesen olvassa el és értse meg az alábbi használati utasításban leírt információkat. A hőszugárzó helytelen használat komoly testi sérüléseket okozhat. A használati utasítást tartsa meg későbbi használatra is.*
- ▶ **ro - IMPORTANT:** *Înainte de a trece la montarea, setarea, punerea în funcțiune sau orice altă operație legată de conservarea încălzitorului, trebuie să citiți cu atenție și să înțelegeți bine prezenta instrucțiune. Utilizarea neadecvată a încălzitorului poate duce la accidente și răni. Instrucțiunile trebuie păstrate pentru a fi utilizate în viitor.*
- ▶ **bg - ВАЖНО:** *Преди започване на работа на инфрачервения въздушен отоплител или на каквито и да било действия свързани с поддръжката му, внимателно трябва да се прочете тази инструкция за експлоатация. Неправилната експлоатация на инфрачервения отоплител може да доведе до сериозни наранявания, в резултат на изгаряне, пожар, експлозия, токов удар или отравяне с въглероден окис.*
- ▶ **ru - ВАЖНО:** *Перед началом монтажа, установки и эксплуатации или техобслуживания инфракрасного нагревателя воздуха следует ознакомиться и соблюдать указания, содержащиеся в данной инструкции по обслуживанию. Неправильная эксплуатация нагревателя может стать причиной серьезных телесных повреждений. Инструкцию следует сохранить для использования в будущем.*
- ▶ **fi - TÄRKEÄÄ:** *Lue ja ymmärrä tässä käyttöoppaassa annetut ohjeet ennen tämän generaattorin kokoamista, käyttöönottoa tai huoltoa. Generaattorin väärä käyttö voi aiheuttaa vakavia henkilövahinkoja. Säilytä tätä käyttöohjetta tulevaa tarvetta varten.*
- ▶ **no - VIKTIG:** *Les og forstå denne manualen før du utfører montering, igangsetting eller vedlikehold av dette varmeapparatet. Feil bruk av varmeapparatet kan føre til alvorlige skader. Ta vare på denne manualen for fremtidig bruk.*
- ▶ **kk - МАҢЫЗДЫ:** *Инфрақызыл ауа жылытқышты жөндеу, орнату және пайдалану алдында немесе оған қызмет көрсетуалдында қызмет көрсету бойынша осы жетекшілікте келтірілген шарттарды оқып, оларды орындау керек. Жылытқышты дұрыс пайдаланбау ауыр дене жарақаттарының себепшісі болуы мүмкін. Жетекшілікті болашақта жүгіну үшін сақтаған жөн.*



## INDEX

1. PRODUCT PRESENTATION
  1. UNPACKING
  2. SAFETY INFORMATION
  3. PRODUCT IDENTIFICATION
  4. COMBUSTIBLE
  4. THEORY OF OPERATION
  4. OPERATING INSTRUCTION
  4. SAFETY DEVICE
  4. MOVING AND TRANSPORTATION
5. PREVENTATIVE MAINTENANCE SCHEDULE
6. ACCESSORIES
7. FAULTS AND THEIR LIKELY CAUSES

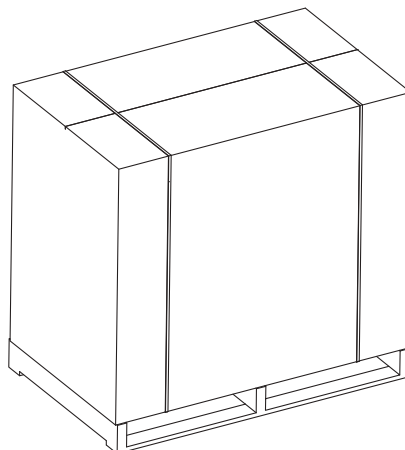
## PRODUCT PRESENTATION

XL 9 is a generator of heat by radiation. Radiation technology is based on the same physical principle behind the warmth of sunlight. The sun heats bodies without a flow of warm air but by waves of radiation. The radiation method is becoming highly popular among professional clients because of the countless advantages it offers. XL 9 was designed on the basis of this physical principle and has become irreplaceable in environments which require a constant, even source of heat for warmth, defrosting and drying. In addition, its extremely low noise level makes it suitable for working without having to put up with the noise that other types of heater normally produce. The generator has rubber wheels for ease of movement and it can also be raised and set at different heights by means of eyebolts. Its extended autonomy and automatic thermostat function grant the operator maximum freedom of use. The external fuel-tank indicator provides an easy check on whether fuel needs topping up. The SR model has a dual power device that enables a more efficient use of the machine under different conditions and during the various seasons of the year.

## UNPACKING AND PACKAGING

### UNPACKING

- Remove the supports used to pack the appliance (Fig. 1).
- Open top side of the box.
- Remove the cardboard from the top.
- Remove the supports that hold the generator to the pallet (Fig. 2).
- Delicately lower the heater off the pallet.
- Dispose of the material used to pack the generator according to the current government regulations in your area.
- Check the machine for eventual damages incurred during transportation, if the machine appears damaged immediately inform the store where you purchased it.

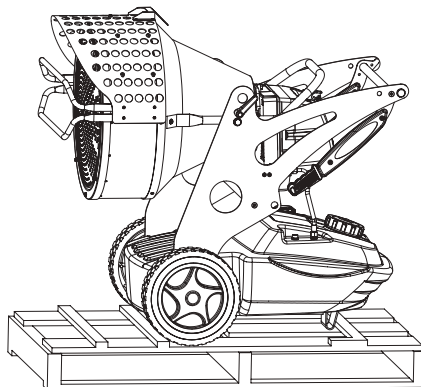


**Figur 1 - Packaging**

### ON PACKAGING AND STORING

If the generator needs to be placed in storage, or if it has suffered major damage in transport, or needs to be repaired:

- Check for damage, in particular of a nature which could cause loss of fuel. In this case, empty the tank of the remaining fuel.
- For storage, place the generator on the same pallet from which it was unpacked and, for return, on any suitable EPA-branded euro-pallet.
- Firmly anchor the generator to the pallet (Fig. 2).
- Whenever possible, slide the cardboard packing from the top down over the pallet and anchor it firmly using suitable materials (Fig. 1).
- Store the machine in a suitable, dry place and do not stack more than two. Despatch the generator preferably as shown Fig. 1 or at least as shown in Fig. 2.



**Figur 2 - On pallet**

## SAFETY INFORMATION

### WARNING



**IMPORTANT:** This air heater has been designed for mobile and temporary professional applications. It has not been designed for domestic use nor for thermal comfort of human.

**IMPORTANT:** Read this entire manual carefully before operating or effectuating any maintenance procedures on this generator. The misuse of the generator can cause serious of fatal injuries due to burns, fires, explosions, electrical shock or asphyxiation from carbon monoxide.

**DANGER:** Carbon monoxide asphyxiation can be fatal.

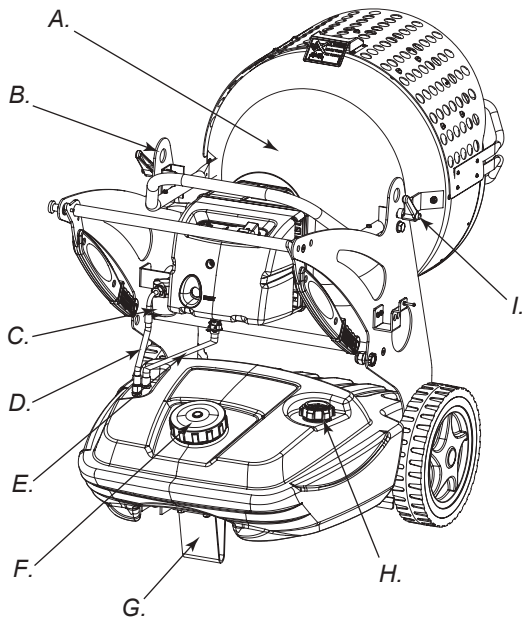
**Carbon Monoxide Asphyxiation** - The first symptoms of carbon monoxide asphyxiation are similar to that of the flu, headaches, dizziness and/or nausea. These symptoms could be caused by the malfunctioning of the generator. **In this case go outside immediately.** Have the generator repaired. Then you may start it again. Some people are more affected by the effects of carbon monoxide than others, especially pregnant women, those who suffer from heart or lung disease or anaemic people; also those who have consumed alcoholic beverages, and those who are at high altitudes. Be sure to read and understand all of the warnings. Conserve this manual for future reference: it will provide you with instructions to operate your generator safely and correctly.

- Use only kerosene or diesel to diminish the risk of fire or explosion. Never use gasoline, naphtha, paint thinners, alcohol or other highly flammable combustants.
- Filling the tank:
  - a) The personnel charged with filling the tank should be qualified and completely familiar with the factory instructions and the current governmental regulations regarding the secure provision of generators.
  - b) Use only the type of fuel expressly specified on the identification plate located on the generator.
  - c) Before filling the tank, extinguish all of the flames, including the pilot light and wait for the generator to cool down.
  - d) While filling the tank inspect all of the fuel lines and their junctions to check for fuel losses. Any losses must be repaired before starting the generator again.
  - e) Under no circumstances should you conserve a quantity of combustible superior to that which is necessary to maintain in function the heater for one day in the same building or nearby the heater. The fuel storage cisterns should be located in a separate building.
  - f) All of the fuel tanks should be located a minimum safety distance from the heater, (like current government regulation), as well as oxyhydrogen blowpipe/ torches, welding equipment and similar ignition sources (with the exception of the fuel tank incorporated in the generator).
  - g) The fuel should be stored in areas where the flooring will not soak up any fuel spills or any drips of fuel line, the flame underneath that could cause a fire.

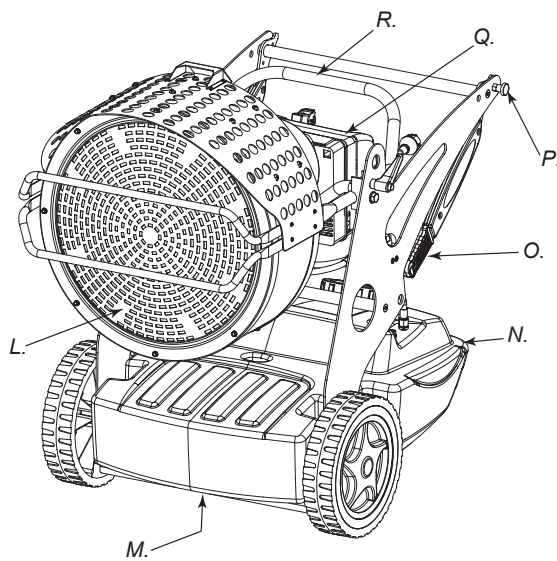
h) All fuel storage must be effectuated in compliance with the current government regulations.

- Never use the generator in rooms where gasoline, paint thinner, or other highly flammable materials are located.
- While the heater is in use follow all of the local ordinances and current government regulations.
- Heaters used close to large pieces of fabric, curtains or other similar materials must be situated at a safe distance from these objects. The minimum safety distance is that which is advised by the current regulations in the your country. It is also advisable to use fireproof materials for coverings. Such materials should be fastened in a safe manner, so as to avoid their catching fire and prevent interference with the generator caused by wind.
- Use only well ventilated areas. Predispose an opening or at least an air exchange system that meets the current governmental regulations in your area so that fresh air will be provided.
- Supply the generator with the proper voltage and frequency as specified on the identification plate.
- Use only extension cords with three wires correctly connected to a grounded plug.
- The minimum safety distance is the distance required by the current governmental regulations in your area.
- Place the generator in a position so that when it is hot or in function it will be on a stable and level surface, so that you avoid starting a fire
- When you move or store the generator, maintain it in a level position in order to avoid fuel loss.
- Keep children and animals away from the generator.
- Disconnect the generator when it is not in use.
- When it is controlled by another device (like a thermostat or a timer), the heater could turn itself on at any time.
- Never place the generator in inhabited rooms.
- Never obstruct the aspiration or dissipation vents.
- When the heater is hot, connected to the power supply or in function it should never be moved, handled, or refilled and no maintenance should be performed on it.
- Smoke that is produced from the first combustion is due to the evaporation of organic materials (ceramic) present in the combustion tank and anticorrosion oil present on the surface of the burner. After a few minutes the smoke will stop.
- The environmental operating temperature is -30°C +40°C.

## PRODUCT IDENTIFICATION

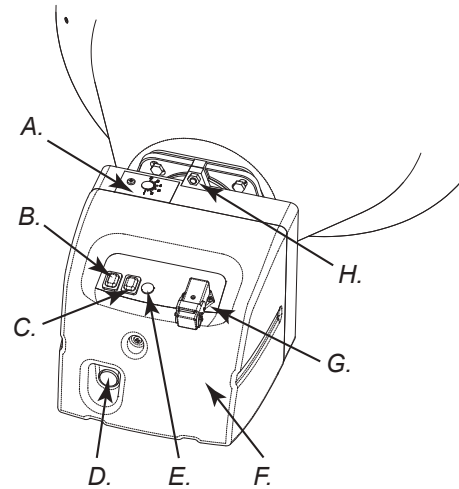


Figur 3

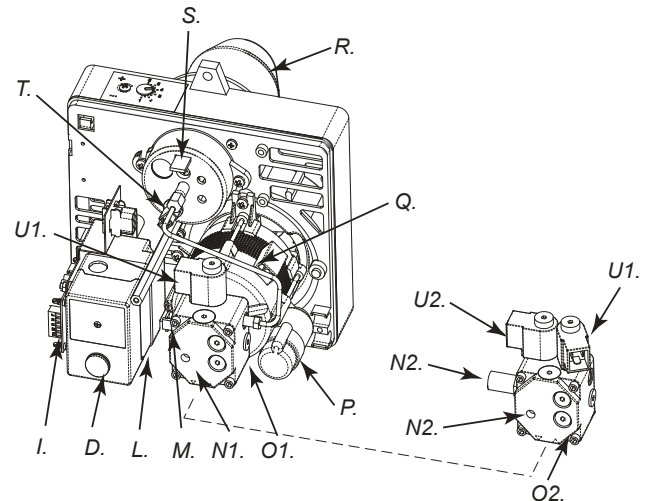


Figur 4

**A.** Combustion chamber, **B.** Hole for raising generator, **C.** Fuel filter or pre-heated filter (optional), **D.** Fuel supply, **E.** Fuel Return, **F.** Fuel tank cap, **G.** Foot or wheel (optional), **H.** Fuel level indicator, **I.** Block of the group combustion, **L.** Radiant deflector, **M.** Fuel drain plug, **N.** Fuel tank, **O.** Handle to move the generator, **P.** Hinge block, **Q.** Burner, **R.** Inclination regulator



Figur 5 - Function controls



Figur 6 - Components burner

**A.** Air vent regulator, **B.** Lighted ON/OFF button, **C.** ON/OFF switch depending on power option (XL 9SR), **D.** RESET Button, **E.** Power indicator, **F.** Burner cover, **G.** Thermostat plug, **H.** Screw for burner block, **I.** Post-ventilation device, **L.** Flame control device, **M.** Transformer, **N1.** Pressure regulator (XL 9ER) of the pump, **N2.** Pressure regulator (XL 9SR) of the pump, **O1.** (XL 9ER) fuel pump, **O2.** (XL 9SR) fuel pump, **P.** Condenser, **Q.** Motor, **R.** Burner tube, **S.** Combustion head regulator, **T.** Photoresistance, **U1.** Electrovalve 1° flame step (XL 9ER-SR), **U2.** Electrovalve 2° flame step (XL 9SR)

## COMBUSTIBLE

**WARNING: The generator runs ONLY on kerosene or diesel fuel.**

The use of impure combustible can cause:

- Blockage of the combustible filter and nozzle.
- Formation of carbonaceous deposits on the electrodes.

At low temperatures use non-toxic antifreeze.

## THEORY OF OPERATION

The ventilation needed for proper combustion is produced by a fan inside the burner. The air exits the burner sleeve and mixes with the fuel which is nebulised by a high-pressure nozzle. The fuel is aspirated from the fuel tank by a rotary pump which forces it at high pressure up to the nozzle for nebulisation.

## OPERATING INSTRUCTIONS

**WARNING: Before putting the generator in function, and therefore before connecting it to the electrical system, you must check to see if the electrical systems technical characteristics correspond to those on the identification plate of the generator.**

### STARTING THE GENERATOR


1. Follow all of the safety information.
2. Fill the tank with diesel fuel or kerosene.
3. Close the fuel cap.
4. Plug the alimentation cord into a grounded wall plug with the same tension as the one written on the generator's identification plate.

### STARTING WITHOUT A THERMOSTAT


#### • XL 9ER

Set the switch (B Fig. 5) to the ON position (I). It begins the period of pre-ventilation and after approximately 10 seconds ones the combustion has beginning.

#### • XL 9SR

**WARNING: Before starting the generator to make sure that the button (C Fig. 5) is in position .**

Set the switch (B Fig. 5) to the ON position (I). It begins the period of pre-ventilation and after approximately 10 second ones the combustion has beginning.

For having the maximum potentiality portare set the switch (C Fig. 5) to the  position.

### STARTING WITH A THERMOSTAT

Regulate the thermostat or the control device (for example a timer), if connected, so that it will allow the generator to function.

**WARNING: The generator can ONLY function automatically when the control device, for example a Thermostat or a Timer, is connected to the generator. To connect the control device to the machine consult the paragraph entitled "ELECTRIC DIAGRAM".**

Before starting the machine or after the fuel line has been completely emptied, the fuel flow to the nozzle should be insufficient to cause the intervention of the security device which controls the flame (see the "SAFETY DEVICE" paragraph) that stops the generator. In this case, after having waited approximately one minute, push the Reset button (D Fig. 5 and 6) and start the machine.

If the machine isn't working you should first control the following:

1. Make sure that the fuel tank (N Fig. 4) still contains fuel.
  2. Press the Restart button (D Fig. 5 and 6).
- If the generator still isn't functioning consult the "FAULTS AND THEIR LIKELY CAUSES" paragraph to identify the cause.

**WARNING: Before the second ignition (machine extinguished and adequately cold) to assure the blocking of the screws that block the anterior deflector (L Fig. 4).**

**WARNING: The electric power that feeds the generator must be grounded and have a differential magnetic-thermal switch. The generator's electric cord must be attached to a plug equipped with a section switch.**

### TURNING THE GENERATOR OFF

Turn the switch (B Fig. 5) to the OFF position (O) or turn the thermostat or control device (Timer) off if there is one connected. The flame will go out and the ventilation will continue until it has finished its post-ventilation cycle (cooling down).

**WARNING: Before unplugging the alimentation cord from the wall, wait until the post-ventilation cycle is completely finished (it will take approximately 3 minutes to cool down).**

## SAFETY DEVICE

The generator is equipped with a safety device (L Fig. 6), which controls the flame. If one or more anomalies occur when the generator is functioning, the device will block the burner and the RESET button (D Fig. 5 or 6) will light up.

The generator also has a post-ventilation device which enables optimal, automatic cooling of the combustion chamber for some 3 minutes.

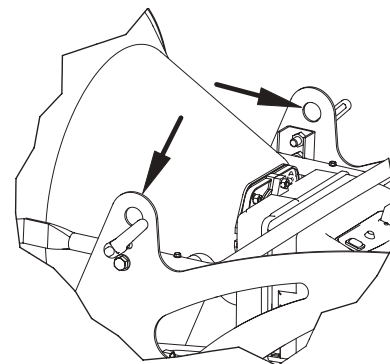
Before turning the generator on again you must identify and eliminate the cause that blocked the machine.

## MOVING AND TRANSPORTATION

**NOTICE: Before raising or moving the machine ensure that the fuel tank caps (F and H Fig. 3) are firmly closed.**

### TRANSPORT

The generator is easy to move and it may be fixed in a raised position thanks to its special eye-bolt mechanism (B Fig. 3 or Fig. 7). This enables it to be set in the most suitable position for heating, defrosting and drying.

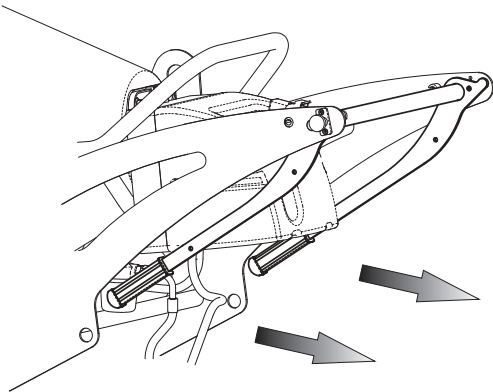


Figur 7 - Hooks in order to raise

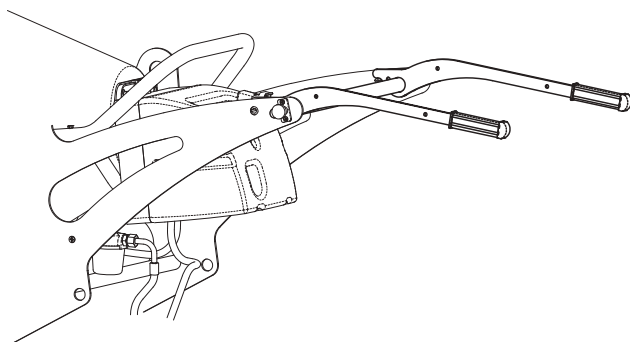


**MOVEMENT**

Before picking up or moving the machine you must check to insure that the tank caps (G Fig. 3) are tightly shut. The generator may be supplied with a rotating wheel. In this case, if the flooring allows it you may push the generator like a cart. In the case the machine does not have rotating wheels it is necessary to unblock the hinge (P Fig. 4) located on one of the lateral struts of the generator. Lower the handle from its "resting position" (Fig. 8) Turn the handle to the "Transportation Position" (Fig. 9). Lift the generator and position it so that it is resting on the two anterior wheels.



Figur 8 - Position close handles



Figur 9 - Position open handles

**WARNING:** Before moving the machine you must: turn the machine off by following the indications provided in paragraph "TURNING OFF THE GENERATOR"; unplug the electrical source by pulling the plug out of the wall and waiting for the generator to cool down.

**PREVENTATIVE MAINTENANCE SCHEDULE**

**WARNING:** Before beginning any maintenance operation you must: turn off the machine following the instructions in the "TURNING OFF THE GENERATOR" paragraph; unplug the electrical alimantation by unplugging the cord from the wall plug and waiting for the generator to cool down.

The instructions in this paragraph regarding the time between service checks depend a lot on the cleanliness of the fuel and the type of environment the generator is used in - the times given are for well-ventilated environments with little dust and considering the use of clean fuel.

Every 50 hours of operation you must:

- Dismantle the on-line cartridge (see "CLEANING THE FUEL FILTER") extract and clean the cartridge.

Every 200 hours of operation you must:

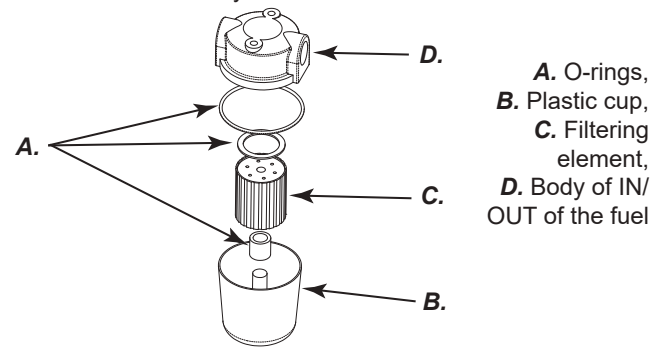
- Dismantle the pump filter (see "CLEANING THE PUMP FILTER") extract and clean it.

Every 300 hours of operation you must:

- Dismantle the burner and clean inside the burner's tube, the flame disk and the electrodes regulating, if necessary the distance (see "CLEANING OF THE BURNER").

**CLEANING THE FUEL FILTER**

- Unscrew the plastic cup and extract the filtering element (cartridge).
- Clean it well with kerosene.
- Insert the filter element back into its place and screw the cup back into the main body of the combustion filter.

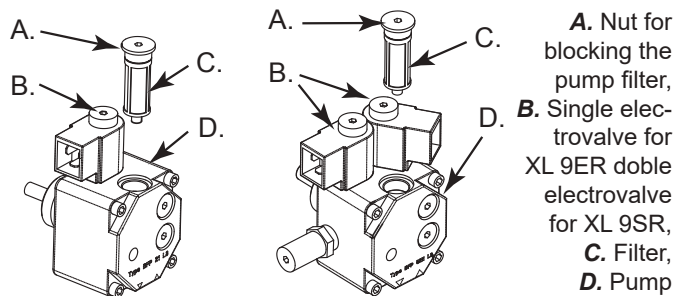


- A.** O-rings,
- B.** Plastic cup,
- C.** Filtering element,
- D.** Body of IN/OUT of the fuel

Figur 10 - Filter

**CLEANING THE PUMP FILTER**

- Dismantle the burner coffer (F Fig. 5), to identify the pump of the burner (O Fig. 6).
- Unscrew the nut (A Fig. 11) that blocking the filtering element to the pump.
- Extract the filtering element (C Fig. 11) outside its place.
- Clean it well with kerosene.
- Insert the filtering element back into its place and screw the nut to the pump.

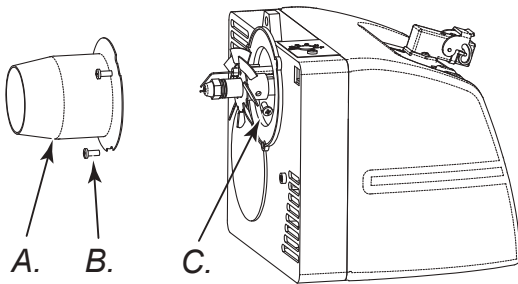


- A.** Nut for blocking the pump filter,
- B.** Single electrovalve for XL 9ER doble electrovalve for XL 9SR,
- C.** Filter,
- D.** Pump

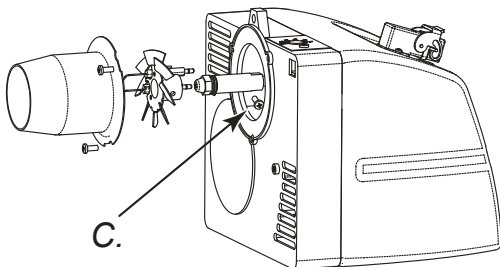
Figur 11 - Pomp of burner

### CLEANING THE BURNER

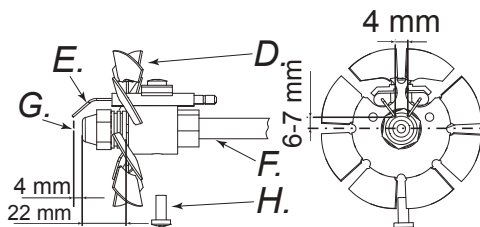
- Remove the screw (H Fig. 5) that blocks the burner (A Fig. 3) in the combustion chamber.
- Extract the burner from the combustion chamber (Fig. 3).
- Remove the three screws (B Fig. 12) that hold the burner tube (A Fig. 12).
- Dismantle the tube.
- Remove the screw (C Fig. 13) that holds the group diskflame-electrodes and pull out the nozzle holder (F Fig. 14).
- Clean the flame disk (D Fig. 14) and the electrodes (E Fig. 14).
- Unscrew the nozzle (G Fig. 14) from the nozzle holder (F Fig. 14) clean it and if necessary replace it.
- Mount the nozzle (G Fig. 14) in its holder.
- Remount the group diskflame-electrodes placing it at a correct distance as the illustration (Fig. 14) shows.



Figur 12 - Disassembly shell-burner



Figur 13 - Disassembly group diskflame-electrodes

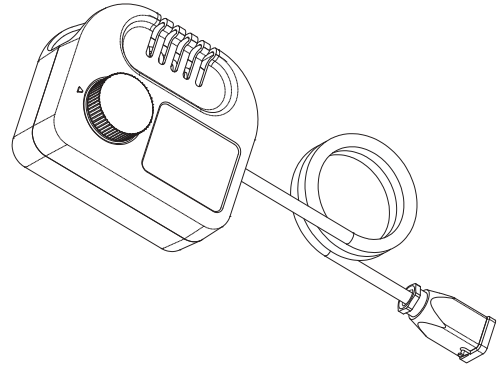


Figur 14 - Distances electrodes nozzle

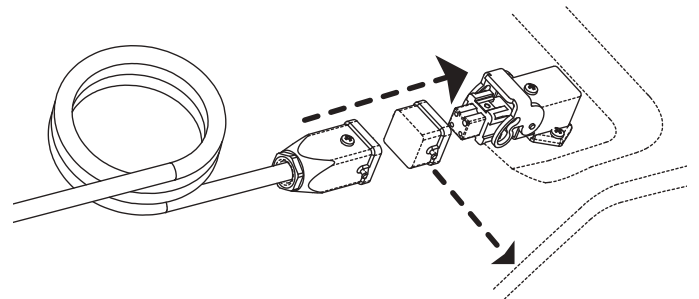
A. Burner tube, B. Screw of the burner tube, C. Screw of the group diskflame-electrodes, D. Flame disk, E. Electrodes, F. Tube, G. Nozzle, H. Screw

### ACCESSORIES

#### THERMOSTAT

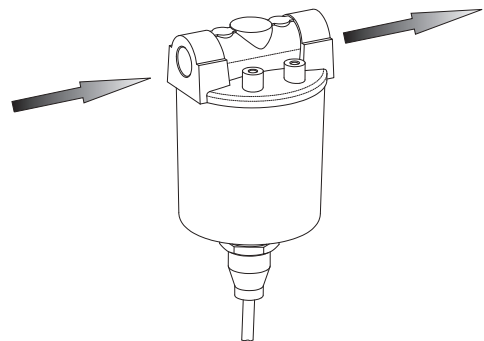


#### CONNECTING THE CONTROL DEVICE

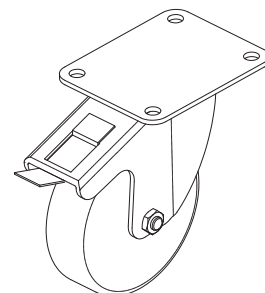


**WARNING:** Before beginning any maintenance operation you must: stop the machine according to the instructions provided in the paragraph "TURNING OFF THE GENERATOR"; disinsert the electrical supply by unplugging it and waiting for the generator to cool down.

#### PRE-HEATING FILTER



#### ROTATING WHEEL WITH BRAKES



## FAULTS AND THEIR LIKELY CAUSES

**WARNING:** Before beginning any maintenance operation you must: stop the machine according to the instructions provided in the paragraph "TURNING OFF THE GENERATOR"; disinsert the electrical supply by unplugging it and waiting for the generator to cool down.

SYMPTOMS	POSSIBLE CAUSE	SOLUTION
The machine stops with flame. RESET button (D Fig. 5 o 6) on	<ol style="list-style-type: none"> <li>1. Photo-resistance circuit is broken or the Photo-resistance is dirty with smoke residue</li> <li>2. Dirty fuel filter</li> <li>3. Flame Control device Circuit is broken</li> <li>4. Flame disk or tube (Fig. 12, 13, 14) dirty</li> </ol>	<ol style="list-style-type: none"> <li>1. Clean or replace the Photo-resistance</li> <li>2. Remove filter and clean it</li> <li>3. Replace the flame control the circuit</li> <li>4. Dismantle and clean it</li> </ol>
The machine stops, spraying fuel without verifying the flame. RESET button (D Fig. 5 o 6) on	<ol style="list-style-type: none"> <li>1. The electrical system is not compatible</li> <li>2. Ignition Transformer (M Fig. 6) disconnected or broken</li> <li>3. Ignition Transformer wires short circuit to ground</li> <li>4. The electrodes are not at the proper distance</li> <li>5. The electrodes short circuit to ground because they are dirty or the insulation is damaged</li> </ol>	<ol style="list-style-type: none"> <li>1. Verify the entire circuit</li> <li>2. Replace it</li> <li>3. Replace it</li> <li>4. Reposition them at the correct distance (see Fig. 14)</li> <li>5. Clean them or, if necessary replace them</li> </ol>
The machine doesn't spray fuel and stops. RESET button (D Fig. 5 o 6) on	<ol style="list-style-type: none"> <li>1. Photo-electric cell sees a strong source of light</li> <li>2. The power supply is missing a phase to the motor</li> <li>3. Fuel is not arriving to the pump</li> <li>4. No fuel in the tank</li> <li>5. Nozzle clogged</li> </ol>	<ol style="list-style-type: none"> <li>1. Place the machine so that the light source does not directly face the front deflector</li> <li>2. Control the electric system</li> <li>3. Control the fuel supply lines (D Fig. 3)</li> <li>4. Resupply the fuel tank</li> <li>5. Dismantle and clean or replace it</li> </ol>
The burner doesn't start	<ol style="list-style-type: none"> <li>1. The control device (Thermostat or Timer) is on</li> <li>2. Short circuit in Photo-resistance (T Fig. 6)</li> <li>3. Power loss due to: disconnected switch (4) or disconnected main switch due to power loss in the line</li> <li>4. The installation of the control device (Thermostat or Timer) is not correct</li> <li>5. Break inside the flame control device</li> <li>6. Fuse inside the burner bonnet</li> </ol>	<ol style="list-style-type: none"> <li>1. Raise the value or control the Timer settings</li> <li>2. Replace it</li> <li>3. Turn off the electric system and then turn off the switches or wait for the power supply to return</li> <li>4. Control the installation following the description in the "CONNECTING THE CONTROL DEVICE" paragraph</li> <li>5. Replace it</li> <li>6. Open the burner coffer (F Fig. 5) and replace it</li> </ol>
Flame is not well confirmed with an unpleasant odour, black smoke or flames coming out of the anterior deflector	<ol style="list-style-type: none"> <li>1. Low pulverisation pressure</li> <li>2. Insufficient combustible air</li> <li>3. Nozzle clogged because it is dirty or old</li> <li>4. Water in the fuel. Poor quality fuel</li> <li>5. The tank is running out of fuel</li> </ol>	<ol style="list-style-type: none"> <li>1. Reestablish the correct value</li> <li>2. Increase the combustible air</li> <li>3. Clean or replace the nozzle</li> <li>4. Drain the fuel from the appropriate drain plug (M Fig. 4)</li> <li>5. Resupply the tank</li> </ol>

## INDICE

1. PRESENTAZIONE DEL PRODOTTO
1. DISIMBALLAGGIO E IMBALLAGGIO
2. INFORMAZIONI SULLA SICURAZZA
3. IDENTIFICAZIONE DEI PRODOTTI
4. COMBUSTIBILE
4. PRINCIPIO DI FUNZIONAMENTO
4. MESSA IN FUNZIONE
4. DISPOSITIVI DI SICUREZZA
4. TRASPORTO E MOVIMENTAZIONE
5. PROGRAMMA DI MANUTENZIONE PREVENTIVA
6. ACCESSORI
7. INDIVIDUAZIONE DEI GUASTI

## PRESENTAZIONE DEL PRODOTTO

XL 9 è un generatore di calore ad irraggiamento. La tecnologia ad irraggiamento vuole seguire lo stesso principio fisico che sta alla base del riscaldamento della luce solare. Il sole, infatti, riscalda i corpi senza un flusso di aria calda ma tramite onde irraggianti. Il sistema ad irraggiamento sta ottenendo un vasto consenso presso la clientela professionale, in virtù degli innumerevoli vantaggi offerti da questo tipo di tecnologia. XL 9 è stato progettato sulla base di questo principio fisico diventando un particolare generatore di calore indispensabile là dove si desidera una fonte di calore omogenea ed uniforme adatta per riscaldare, scongelare ed asciugare. Inoltre, la sua grande silenziosità consente di lavorare con macchina in funzione senza dover soffrire dei rumori normalmente causati da altri sistemi di riscaldamento. Il generatore è dotato di ruote gommate, può essere agevolmente spostato da un ambiente ad un altro, come altresì può essere sollevato e posizionato a diversi livelli d'impiego, tramite la disposizione di speciali golfari. La grande autonomia di prestazione, insieme alla possibilità di funzionamento in automatico tramite termostato, consentono all'operatore una grande libertà di utilizzo. Un indicatore esterno per il controllo quantitativo di carburante presente nel serbatoio consente una rapida verifica dell'eventuale necessità di rabbocco di combustibile. La possibilità di avere nella versione SR due stadi di potenza, permette un migliore sfruttamento della macchina in diversi regimi di applicazione e nelle diverse stagioni dell'anno.

## DISIMBALLAGGIO E IMBALLAGGIO

### DISIMBALLAGGIO

- Rimuovere le regge usate per imballare l'apparecchio (Fig. 1).
- Aprire l'imballo dal lato superiore.
- Togliere il cartone dall'alto.
- Rimuovere le regge che vincolano il generatore sul pallet (Fig. 2).
- Far scendere delicatamente il riscaldatore dal pallet.
- Smaltire il materiale usato per imballare il generatore secondo le normative vigenti nello stato di appartenenza.
- Controllare la macchina alla ricerca di eventuali danni subiti durante il trasporto. Se l'apparecchio appare danneggiato, informare tempestivamente il concessionario presso il quale è stato effettuato l'acquisto.

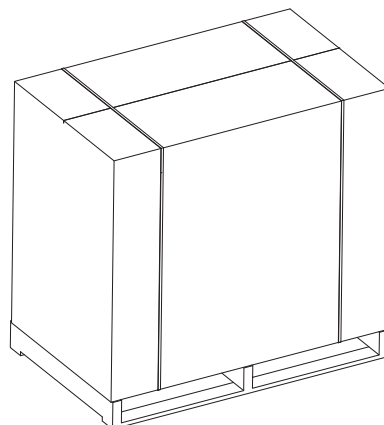


Figura 1 - Imballo

### IMBALLAGGIO E STOCCAGGIO

Nel caso in cui il generatore debba essere stoccato o presenti ingenti danni subiti durante il trasporto o debba essere riparato, si deve:

- Controllare che la macchina non presenti danni, in particolare modo perdite di combustibile. In tal caso svuotare il serbatoio dal carburante residuo.
- Posizionare il generatore sullo stesso bancale da cui è stato disimballato (stoccaggio) o su bancale idoneo per la restituzione (euro-pallet marchiato EPA).
- Fissare adeguatamente il generatore al bancale (Fig. 2).
- Posizionare, quando possibile, l'imballo in cartone dall'alto sopra al pallet fissandolo con materiali opportuni (Fig. 1).
- Stoccare la macchina in un luogo opportuno e non umido, non sovrapporre più di due macchine. Spedire il generatore come Fig. 1 o almeno come in Fig. 2.

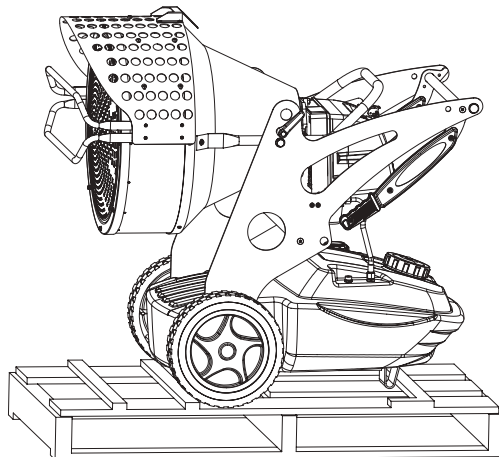


Figura 2 - Su pallet

## INFORMAZIONI SULLA SICUREZZA

### ATTENZIONE



**IMPORTANTE:** Questo riscaldatore d'aria è stato progettato per applicazioni professionali mobili e temporanee. Non è destinato all'uso domestico, né al comfort termico delle persone.

**IMPORTANTE:** Leggere attentamente e completamente il manuale d'istruzioni prima di mettere in funzione o effettuare la manutenzione di questo generatore. L'uso errato del generatore può causare lesioni gravi o fatali a seguito di ustioni, incendio, esplosione, scariche elettriche o asfissia da ossido di carbonio.

**PERICOLO:** L'asfissia da ossido di carbonio può risultare fatale.

**Asfissia da ossido di carbonio** - I primi sintomi di asfissia da ossido di carbonio assomigliano a quelli dell'influenza, con cefalee, capogiri e/o nausea. Tali sintomi potrebbero essere causati dal funzionamento difettoso del generatore. **In tal caso uscire immediatamente all'aperto.** Far riparare il generatore. Accertarsi di leggere e comprendere tutte le avvertenze. Conservare questo manuale a titolo di futuro riferimento: funge infatti da guida al funzionamento sicuro e corretto del generatore.

- Usare solamente cherosene o gasolio per evitare i rischi di incendio o di esplosione. Non fare mai uso di benzina, nafta, solventi per vernici, alcool o altri combustibili altamente infiammabili.
- **Rifornimento:**
  - a) Il personale incaricato del rifornimento deve essere qualificato ed avere totale dimestichezza con le istruzioni del fabbricante e con la normativa vigente in merito al rifornimento sicuro dei generatori.
  - b) Usare solamente il tipo di combustibile espressamente specificato sulla targhetta identificativa del generatore.
  - c) Prima di effettuare il rifornimento, spegnere tutte le fiamme, ed attendere che il generatore si raffreddi.
  - d) Nel corso del rifornimento, ispezionare tutte le linee del combustibile ed i relativi raccordi, alla ricerca di eventuali perdite. Qualsiasi perdita va riparata prima di rimettere in funzione il generatore.
  - e) In nessuna circostanza si deve conservare nello stesso edificio, in vicinanza del riscaldatore, una quantità di combustibile superiore a quella necessaria per mantenere in funzione il riscaldatore per una giornata. Le cisterne di magazzino del carburante devono trovarsi in una struttura separata.
  - f) Tutti i serbatoi del combustibile devono trovarsi ad una distanza minima di sicurezza (secondo la normativa vigente) da riscaldatori, cannelli ossidrici, attrezzature per la saldatura e simili fonti di accensione (ad eccezione del serbatoio del combustibile incorporato nel generatore).
  - g) Il combustibile va conservato in locali il cui pavimento non permetta la penetrazione ed il gocciolio del combustibile su fiamme sottostanti che possano causarne l'accensione.
  - h) La conservazione del combustibile va effettuata in conformità alla normativa vigente.
- Non usare mai il generatore in locali nei quali siano presenti benzina, solventi per vernici o vapori altamente infiammabili o elevate concentrazioni di polvere.

- Durante l'uso del riscaldatore, attenersi a tutte le ordinanze locali ed alla normativa vigente.
- I riscaldatori usati in prossimità di teloni, tende o altri materiali di copertura simili devono essere situati a distanza di sicurezza da essi. La distanza minima di sicurezza consigliata è quella consigliata dalle normative vigenti nello stato di appartenenza. Si consiglia anche di usare materiali di copertura di tipo ignifugo. Tali materiali vanno fissati in modo sicuro, onde evitare che prendano fuoco e prevenire interferenze con il generatore causate dal vento.
- Usare solamente in aree ben ventilate. Predisporre pertanto un'apertura o comunque un ricambio d'aria adeguato secondo le normative vigenti nello stato di appartenenza allo scopo di immettere aria fresca dall'esterno.
- Alimentare il generatore solamente con corrente avente la tensione e la frequenza specificate sulla targhetta identificativa.
- Usare solamente prolunghe a tre fili opportunamente collegate a massa.
- Mantenere una distanza minima di sicurezza tra il riscaldatore e sostanze combustibili secondo le normative vigenti nello stato di appartenenza.
- Porre il generatore caldo o in funzione su una superficie stabile e livellata, in modo da evitare i rischi di incendio.
- Quando si sposta o si conserva il generatore, mantenerlo in posizione livellata, per evitare la fuoriuscita del combustibile.
- Tenere lontani i bambini e gli animali dal generatore.
- Scollegare il generatore dalla presa di rete quando non lo si usa.
- Quando è controllato da un dispositivo di controllo (termostato ambiente), il riscaldatore può accendersi in qualsiasi momento.
- Non usare mai il generatore in stanze frequentemente abitate.
- Non ostruire mai le griglie di aspirazione o di dissipazione.
- Quando il riscaldatore è caldo, collegato alla rete o in funzione non deve mai essere spostato, maneggiato, rifornito né soggetto ad alcun intervento di manutenzione.
- Il fumo che fuoriesce dalla prima combustione è dovuto all'evaporazione di materiale organico (ceramiche) presente nella camera di combustione e da olio anticorrosione presente sulla superficie dei componenti del bruciatore. Dopo qualche minuto il fumo sparirà.
- Utilizzare la macchina all'interno di una temperatura ambiente di -30°C +40°C.

## IDENTIFICAZIONE DEI PRODOTTI

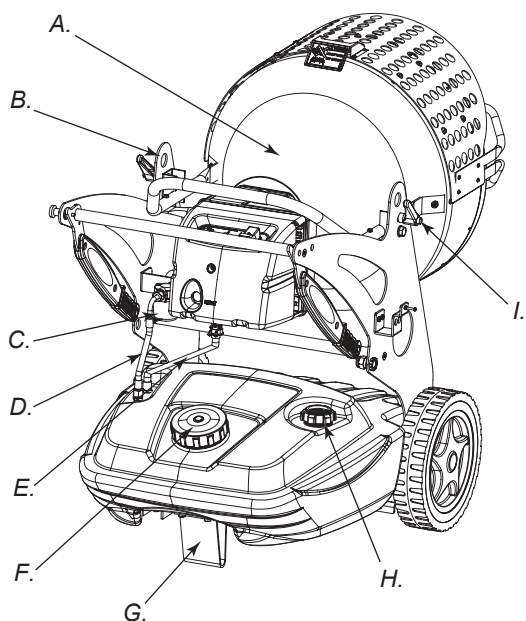


Figura 3

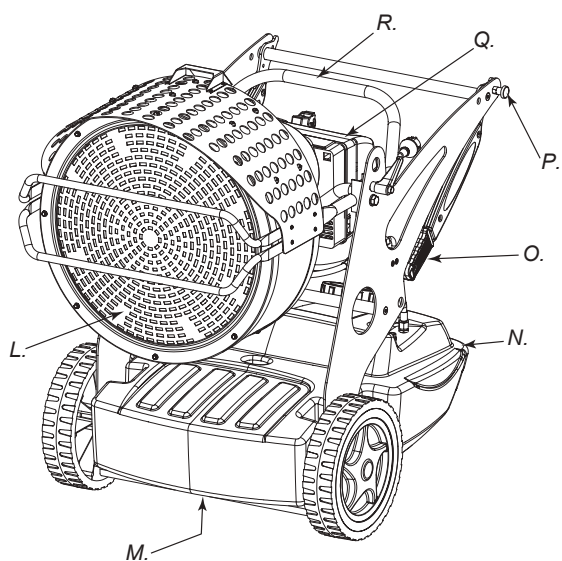


Figura 4

**A.** Camera di combustione, **B.** Foro sollevamento apparecchio, **C.** Filtro combustibile o filtro pre-riscaldamento (optional), **D.** Mandata combustibile, **E.** Ritorno combustibile, **F.** Tappo carico combustibile, **G.** Piede o ruota (optional), **H.** Indicatore livello combustibile, **I.** Vite bloccaggio gruppo combustione, **L.** Deflettore, **M.** Tappo di scarico del serbatoio, **N.** Serbatoio combustibile, **O.** Maniglie trasporto generatore, **P.** Perno bloccaggio maniglia, **Q.** Bruciatore, **R.** Maniglione di rotazione della camera combustione

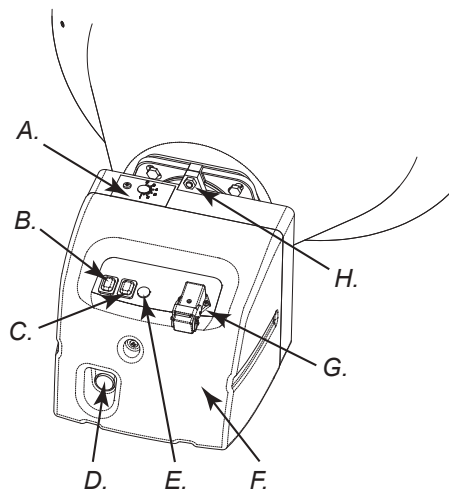


Figura 5 - Comandi

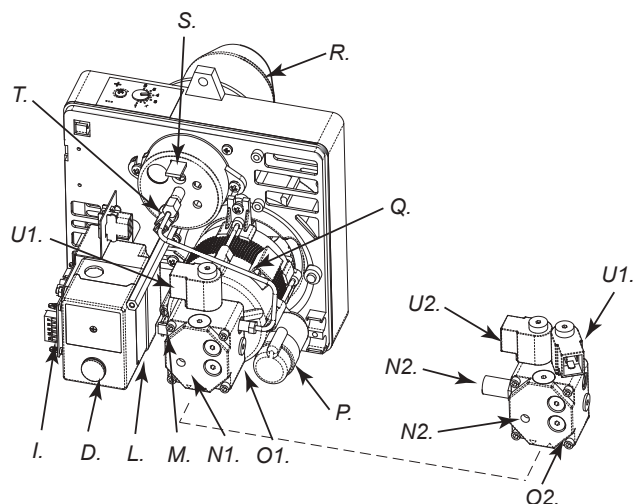


Figura 6 - Componenti bruciatore

**A.** Regolazione aria, **B.** Interruttore ON/OFF, **C.** Interruttore ON/OFF seconda potenzialità (XL 9SR), **D.** Pulsante RESET, **E.** Spia tensione, **F.** Cofano bruciatore, **G.** Spina per termostato ambiente, **H.** Vite fissaggio bruciatore, **I.** Apparecchiatura di post-ventilazione, **L.** Apparecchiatura di controllo fiamma, **M.** Trasformatore, **N1.** Regolazione pressione della pompa (XL 9ER), **N2.** Regolazione pressione della pompa (XL 9SR), **O1.** Pompa combustibile (XL 9ER), **O2.** Pompa combustibile (XL 9SR), **P.** Condensatore, **Q.** Motore, **R.** Canotto bruciatore, **S.** Regolazione testa di combustione, **T.** Fotorisistenza, **U1.** Elettrovalvola 1° stadio di fiamma (XL 9ER-SR), **U2.** Elettrovalvola 2° stadio di fiamma (XL 9SR)

## COMBUSTIBILE

**ATTENZIONE: Il generatore funziona SOLO a cherosene o gasolio.**

L'utilizzo di combustibile impuro può causare:

- L'intasamento del filtro del combustibile e dell'ugello.
- La formazione di depositi carboniosi sugli elettrodi.

A temperature basse utilizzare additivi antigelo non tossici.

## PRINCIPIO DI FUNZIONAMENTO

L'aria necessaria per garantire una corretta combustione viene prodotta dalla rotazione di una ventola interna al bruciatore. Il flusso d'aria esce dal canotto del bruciatore e si miscela con il combustibile che viene polverizzato da un ugello ad una elevata pressione. Il combustibile polverizzato dall'ugello è garantito da una pompa rotativa che aspira il combustibile dal serbatoio e lo spinge ad alta pressione sino all'ugello per la polverizzazione.

## MESSA IN FUNZIONE

**AVVERTENZE: Prima di mettere in funzione il generatore e, quindi, prima di collegarlo alla rete elettrica di alimentazione si deve controllare che le caratteristiche della rete elettrica corrispondano a quelle riportate sulla targhetta identificativa del generatore.**

### ACCENSIONE DEL GENERATORE


1. Seguire tutte le istruzioni relative alla sicurezza.
2. Riempire il serbatoio di combustibile.
3. Chiudere il tappo del serbatoio.
4. Inserire la spina del cavo di alimentazione in una presa a muro collegata a massa e avente tensione uguale a quella riportata sulla targhetta di identificazione dell'apparecchio.

### ACCENSIONE SENZA TERMOSTATO AMBIENTE


#### • XL 9ER

Portare l'interruttore (B Fig. 5) nella posizione ON (I). Inizia il periodo di pre-ventilazione e dopo circa 10 secondi ha inizio la combustione.

#### • XL 9SR

**AVVERTENZA: Prima di accendere il generatore assicurarsi che l'interruttore (C Fig. 5) sia nella posizione .**

Portare l'interruttore (B Fig. 5) nella posizione ON Inizia il periodo di pre-ventilazione e dopo circa 10 secondi ha inizio la combustione.

Per avere la massima potenzialità portare l'interruttore (C Fig. 5) nella posizione ()

### ACCENSIONE CON TERMOSTATO AMBIENTE

Regolare il termostato ambiente o il dispositivo di controllo (ad esempio un timer), se collegato, in modo da consentire il funzionamento.

**ATTENZIONE: Il generatore può funzionare in modo automatico SOLO quando un dispositivo di controllo, quale ad esempio un Termostato Ambiente o un Timer è collegato al generatore. Per collegare il dispositivo di controllo all'apparecchio consultare il paragrafo "SCHEMA ELETTRICO".**

Alla prima messa in servizio o dopo lo svuotamento completo del circuito del gasolio, il flusso di gasolio all'ugello può essere insufficiente e causare l'intervento del dispositivo di sicurezza di controllo di fiamma (vedi paragrafo "DISPOSITIVO DI SICUREZZA") che arresta il generatore. In questo caso, dopo aver atteso per circa un minuto, premere il pulsante di Reset (D Fig. 5 e 6) e riavviare l'apparecchio.

In caso di mancato funzionamento le prime operazioni da fare sono le seguenti:

1. Controllare che il serbatoio (N Fig. 4) contenga ancora gasolio.
2. Premere il pulsante di riarmo (D Fig. 5 o 6).

Se dopo tali operazioni il generatore non funziona, si deve consultare il paragrafo "INDIVIDUAZIONE DEI GUASTI" e scoprire la causa del mancato funzionamento.

**ATTENZIONE: Prima della seconda messa in funzione (a generatore spento e adeguatamente freddo) assicurare il serraggio delle viti che bloccano il deflettore anteriore (L Fig. 4)**

**AVVERTENZA: La linea elettrica di alimentazione del generatore deve essere provvista di messa a terra e di interruttore magneto-termico differenziale. La spina elettrica del generatore deve essere allacciata ad una presa munita di interruttore di sezionamento.**

### SPEGNIMENTO GENERATORE

Portare l'interruttore (B Fig. 5) nella posizione OFF (O) o agire, se collegato, sul termostato ambiente o sul dispositivo di controllo (timer), regolandolo in modo adeguato. La fiamma si spegne e la ventilazione persiste fino al completamento del ciclo di post-ventilazione (raffreddamento).

**AVVERTENZA: Prima di staccare il cavo di alimentazione dalla presa, attendere il completamento del ciclo di post-ventilazione (raffreddamento di circa 3 min).**

## DISPOSITIVI DI SICUREZZA

Il generatore è dotato di un'apparecchiatura di sicurezza (L Fig. 6) per il controllo fiamma. Se si verificano una o più anomalie durante il funzionamento, tale apparecchiatura provoca il blocco del bruciatore e l'accensione della spia del pulsante RESET (D Fig. 5 o 6).

Il generatore è dotato anche di un'apparecchiatura di post-ventilazione. Questa apparecchiatura consente il raffreddamento ottimale ed automatico della camera di combustione per un tempo di circa 3 min.

Prima di rimettere in funzione il generatore si deve individuare ed eliminare la causa che ha prodotto il blocco.

## TRASPORTO E MOVIMENTAZIONE

**AVVERTENZA: Prima di sollevare o spostare la macchina ci si deve assicurare che i tappi del serbatoio (F e H Fig. 3) siano ben chiusi.**

### TRASPORTO

Il generatore può essere agevolmente spostato da un ambiente ad un altro, come altresì può essere sollevato e posizionato a diversi livelli d'impiego, tramite la disposizione di speciali golfari (B Fig. 3 o 7). È possibile pertanto ancorare la macchina e sollevarla per posizionarla dove è necessario per riscaldare, scongelare e asciugare.

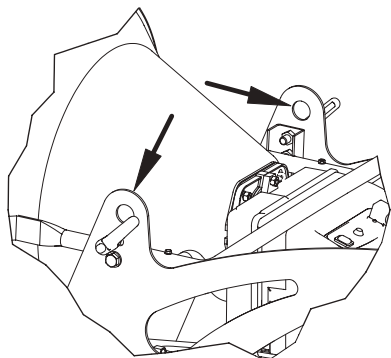


Figura 7 - Golfari di ancoraggio

### MOVIMENTAZIONE

Il generatore può essere fornito di ruota piroettante (G Fig. 3). In questo caso, se il terreno lo consente, occorre spingere il generatore come un carrello. Nel caso l'apparecchio fosse sprovvisto di ruota piroettante occorre sbloccare il perno (P Fig. 4) posizionato su uno dei montanti laterali del generatore. Abbassare le maniglie dalla "posizione di riposo" (Fig. 8). Ruotare le maniglie portandole nella "posizione di movimentazione" (Fig. 9). Sollevare il generatore e sposterlo facendolo scorrere sulle ruote anteriori.

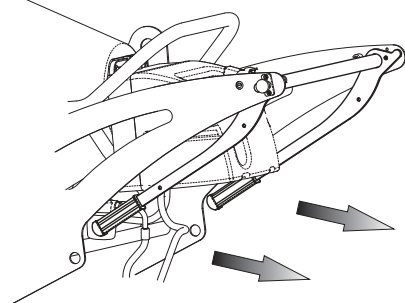


Figura 8 - Posizione maniglie chiuse

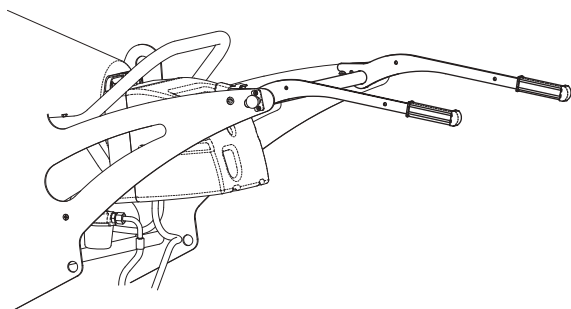


Figura 9 - Posizione maniglie aperte

**AVVERTENZA:** Prima di spostare l'apparecchio si deve: arrestare la macchina secondo le indicazioni descritte nel paragrafo "SPEGNIMENTO GENERATORE"; disinserire l'alimentazione elettrica scollegando la spina dalla presa elettrica a muro ed attendere che il generatore si raffreddi.

## PROGRAMMA DI MANUTENZIONE PREVENTIVA

**AVVERTENZA:** Prima di iniziare qualsiasi operazione di manutenzione si deve: arrestare la macchina secondo le indicazioni descritte nel paragrafo "ARRESTO"; disinserire l'alimentazione elettrica estraendo la spina dalla presa elettrica ed attendere che il generatore si raffreddi.

Le istruzioni presenti in questo paragrafo, che riguardano i tempi di manutenzione, sono strettamente connesse alla pulizia del combustibile e al tipo di ambiente di utilizzo del generatore. In particolare, le tempistiche sotto riportate si riferiscono ad ambienti di lavoro ventilati e poco polverosi nonché all'utilizzo di combustibile pulito.

Ogni 50 ore di funzionamento si deve:

- Smontare la cartuccia del filtro in linea (vedere "PULIZIA FILTRO GASOLIO") estrarla e pulirla.

Ogni 200 ore di funzionamento si deve:

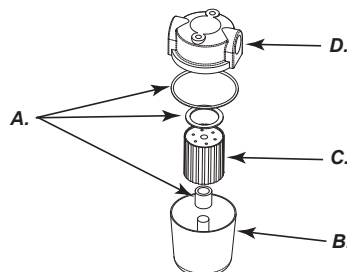
- Smontare il filtro della pompa e pulirlo adeguatamente (vedere "PULIZIA FILTRO POMPA").

Ogni 300 ore di funzionamento si deve:

- Smontare il bruciatore e pulire all'interno del canotto del bruciatore il disco fiamma e gli elettrodi regolandone se necessario la distanza (vedere "PULIZIA DEL BRUCIATORE").

### PULIZIA FILTRO GASOLIO

- Svitare il bicchiere in plastica ed estrarre l'elemento filtrante (cartuccia).
- Pulirlo adeguatamente con cherosene.
- Inserire l'elemento filtrante nell'apposita sede ed avvitare il bicchiere in plastica al corpo fisso del filtro combustibile.

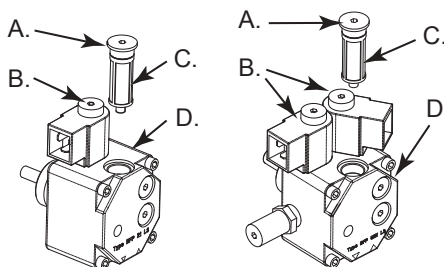


A. Guarnizioni,  
B. Bicchiere,  
C. Elemento filtrante,  
D. Corpo ingresso/uscita combustibile

Figura 10 - Filtro

### PULIZIA FILTRO POMPA

- Smontare il cofano del bruciatore (F Fig. 5) ed identificare la pompa del bruciatore (O Fig. 6).
- Svitare con l'apposita chiave il dado (A Fig. 11) che fissa il filtro.
- Estrarre il filtro (C Fig. 11) dalla sua sede.
- Pulirlo adeguatamente con cherosene.
- Inserire il filtro nell'apposita sede ed avvitare il dado al corpo pompa.



A. Dado fissaggio filtro,  
B. Elettrovalvola singola per XL 9ER, doppia per XL 9SR,  
C. Filtro,  
D. Corpo pompa

Figura 11 - Pompa bruciatore



**PULIZIA DEL BRUCIATORE**

- Svitare la vite (H Fig. 5) che blocca il bruciatore alla camera di combustione (A Fig. 3).
- Estrarre il bruciatore dalla camera di combustione (vedi Fig. 3).
- Svitare le tre viti (B Fig. 12) che bloccano il canotto del bruciatore (A Fig. 12).
- Ruotare il canotto in senso orario guardando il bruciatore e sfilarlo dalla sua sede.
- Svitare la vite (C Fig. 12) che blocca il gruppo disco fiamma-elettrodi e sfilarli dal portaugello (vedi Fig. 13).
- Pulire il disco fiamma (D Fig. 14) e gli elettrodi (E Fig. 14).
- Svitare l'ugello (G Fig. 14) dal portaugello (F Fig. 14). Pulirlo, o se necessario, sostituirlo.
- Rimontare l'ugello (G Fig. 14) nella sua sede.
- Rimontare il gruppo disco fiamma-elettrodi sistemandone adeguatamente le distanze secondo l'immagine (Fig. 14) rappresentativa.

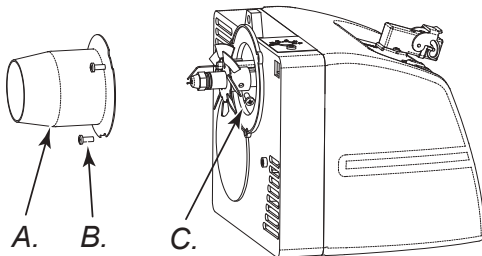


Figura 12 - Smontaggio canotto-bruciatore

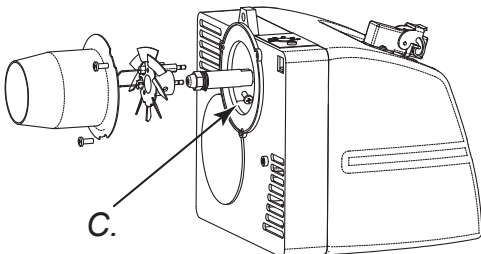


Figura 13 - Smontaggio gruppo disco fiamma-elettrodi

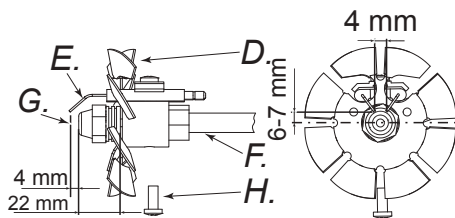
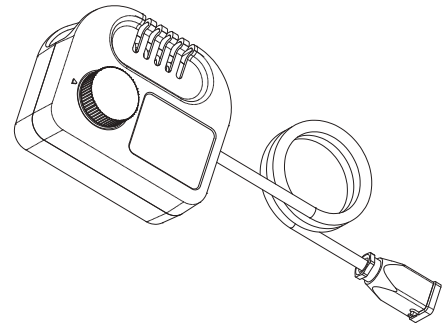
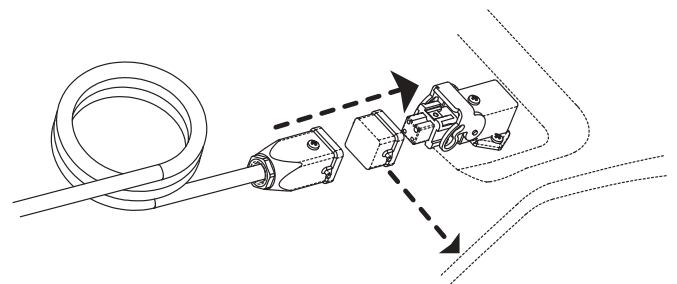
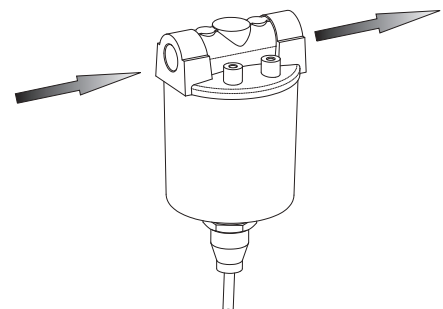
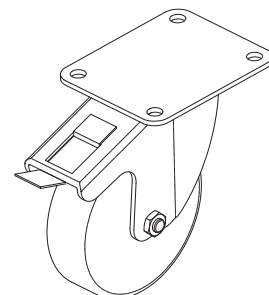


Figura 14 - Distanze elettrodi ugello

A. Canotto, B. Vite canotto, C. Vite gruppo disco fiamma, D. Disco fiamma, E. Elettrodi, F. Portaugello, G. Ugello, H. Vite

**ACCESSORI****TERMOSTATO AMBIENTE****COLLEGAMENTO DEL TERMOSTATO AMBIENTE**

**AVVERTENZE:** Prima di iniziare l'operazione di collegamento del dispositivo di controllo si deve: arrestare la macchina secondo le indicazioni descritte nel paragrafo "SPEGNIMENTO GENERATORE"; disinserire l'alimentazione elettrica estraendo la spina dalla presa elettrica ed attendere che il generatore si raffreddi.

**FILTRO PRE-RISCALDO COMBUSTIBILE****RUOTA GIREVOLE CON FRENO**

## INDIVIDUAZIONE DEI GUASTI

**AVVERTENZA:** Prima di iniziare qualsiasi operazione di manutenzione si deve: arrestare la macchina secondo le indicazioni descritte nel paragrafo “SPEGNIMENTO GENERATORE”; disinserire l'alimentazione elettrica estraendo la spina dalla presa elettrica ed attendere che il generatore si raffreddi.

GUASTO	POSSIBILE CAUSA	SOLUZIONE
L'apparecchio va in blocco con fiamma. Pulsante di RESET (D Fig. 5 o D Fig. 6) acceso	<ol style="list-style-type: none"> <li>1. Circuito della fotoresistenza guasto o fotoresistenza sporca di fumo</li> <li>2. Filtro Combustibile sporco</li> <li>3. Circuito dell'apparecchiatura di controllo fiamma guasto</li> <li>4. Disco fiamma o canotto sporchi (Fig. 12, 13 e 14)</li> </ol>	<ol style="list-style-type: none"> <li>1. Pulire o sostituire la fotoresistenza</li> <li>2. Smontare filtro e pulirlo</li> <li>3. Sostituire l'apparecchiatura di controllo fiamma</li> <li>4. Pulire</li> </ol>
L'apparecchio va in blocco spruzzando combustibile senza il verificarsi della fiamma. Pulsante di RESET (D Fig. 5 o D Fig. 6) acceso	<ol style="list-style-type: none"> <li>1. Impianto elettrico non conforme</li> <li>2. Trasformatore (M Fig. 4) guasto</li> <li>3. I cavetti del trasformatore di accensione scaricano a massa</li> <li>4. Le punte degli elettrodi non sono alla giusta distanza</li> <li>5. Gli elettrodi scaricano a massa perchè sporchi o per isolante danneggiato</li> </ol>	<ol style="list-style-type: none"> <li>1. Verificare tutto l'impianto elettrico</li> <li>2. Sostituire</li> <li>3. Sostituire</li> <li>4. Riportarle nella posizione prescritta (vedi Fig. 14)</li> <li>5. Pulire o se necessario sostituire</li> </ol>
L'apparecchio va in blocco senza spruzzare combustibile. Pulsante RESET (D Fig. 5 e 6)	<ol style="list-style-type: none"> <li>1. Fotoresistenza vede una intensa fonte di luce</li> <li>2. Manca una fase al motore</li> <li>3. Combustibile non arriva alla pompa</li> <li>4. Manca combustibile nel serbatoio</li> <li>5. Ugello otturato</li> </ol>	<ol style="list-style-type: none"> <li>1. Posizionare la macchina evitando la fonte di luce sul deflettore anteriore</li> <li>2. Controllare la linea di alimentazione</li> <li>3. Controllare la tubazione di mandata (D Fig. 3)</li> <li>4. Effettuare il rifornimento</li> <li>5. Smontare e pulire o se necessario sostituire</li> </ol>
Bruciatore non parte	<ol style="list-style-type: none"> <li>1. Dispositivo di controllo (termostato ambiente o timer)</li> <li>2. Fotoresistenza (T Fig. 6) in corto circuito</li> <li>3. Manca la tensione per interruttore generale aperto o interruttore di massima del contattore scattato o mancanza di tensione nella linea elettrica</li> <li>4. L'installazione del dispositivo di controllo (termostato ambiente o timer) non è corretta</li> <li>5. Guasto interno dell'apparecchiatura di controllo fiamma</li> <li>6. Fusibile bruciato</li> </ol>	<ol style="list-style-type: none"> <li>1. Regolare il dispositivo di controllo</li> <li>2. Sostituire la fotoresistenza</li> <li>3. Chiudere gli interruttori o attendere il ritorno della corrente</li> <li>4. Controllare l'installazione secondo la descrizione “COLLEGAMENTO DEL TERMOSTATO AMBIENTE”</li> <li>5. Sostituirla</li> <li>6. Aprire il cofano (F Fig. 5) e sostituire</li> </ol>
Fiamma non ben confermata con odore cattivo, fumo nero e fiamme uscenti dal deflettore anteriore	<ol style="list-style-type: none"> <li>1. Pressione di polverizzazione bassa</li> <li>2. Insufficienza di aria comburente</li> <li>3. Ugello otturato perchè sporco o logoro</li> <li>4. Acqua nel combustibile. Carburante di cattiva qualità</li> <li>5. Il serbatoio sta esaurendo il combustibile</li> </ol>	<ol style="list-style-type: none"> <li>1. Ripristinarla al valore previsto</li> <li>2. Aumentare l'aria di combustione</li> <li>3. Pulire o sostituire l'ugello</li> <li>4. Scaricare il combustibile dall'apposito tappo di scolo (M Fig. 4)</li> <li>5. Effettuare il rifornimento di combustibile</li> </ol>

## VERZEICHNIS

1. DAS PRODUKT
1. AUSPACKEN UND VERPACKUNG
2. SICHERHEITSINFORMATIONEN
3. PRODUKTBESCHREIBUNG
4. BRENNSTOFF
4. ARBEITSWEISE
4. INBETRIEBNAHME
4. SICHERHEITSVORRICHTUNG
4. TRANSPORT UND BEWEGBARKEIT
5. VORBEUGENDE WARTUNGSVERFAHREN
6. ZUSÄTZLICHES ZUBEHÖR
7. FEHLERSUCHE

## DAS PRODUKT

XL9 ist ein Strahlungswärmegenerator. Die Strahlungstechnologie verwendet das gleiche physikalische Prinzip, das für die Wärme des Sonnenlichts verantwortlich ist. Die Sonne erwärmt Körper nicht durch Warmluftströmung, sondern mit Strahlungswellen. Das Strahlungssystem ist sehr erfolgreich bei unseren professionellen Kunden, da diese Technologie sehr viele Vorteile bietet. XL 9 beruht auf diesem physikalischen Prinzip und ist somit ein besonderer Wärmegenerator, der dort eingesetzt wird, wo eine gleichmäßige, homogene Wärmequelle benötigt wird, die wärmt, auftaut und trocknet. Darüber hinaus kann man dank seiner Geräuschlosigkeit bei eingeschaltetem Generator arbeiten, ohne durch den normalerweise von diesen Maschinen verursachten Lärm gestört zu werden. Der Generator ist mit Reifen ausgestattet und kann so leicht umgestellt werden, außerdem kann er auch angehoben und mittels spezieller Ringschrauben auf unterschiedlichen Höhen genutzt werden. Seine große Leistungsfähigkeit und die Möglichkeit, ihn durch Einschalten des Thermostats auf Automatik zu schalten, gewähren dem Nutzer eine große Einsatzfreiheit. Ein außen angebrachter Anzeiger erlaubt es zu überprüfen, wie viel Brennstoff noch im Tank ist und ob es nötig ist, nachzufüllen. Das Modell SR bietet zwei Potenzstufen und ermöglicht so eine effizientere Nutzung des Generators, entsprechend seinem Einsatz und der Jahreszeit.

## AUSPACKEN UND VERPACKUNG

### AUSPACKEN

- Die zur Verpackung des Gerätes verwendeten Bänder entfernen (Abb. 1).
- Die Verpackung an der Oberseite öffnen.
- Den Karton von oben her abnehmen.
- Die Bänder entfernen, mit denen das Heizgerät an der Palette befestigt ist (Abb. 2).
- Das Gerät vorsichtig von der Palette fahren.
- Das Verpackungsmaterial gemäß den gesetzlichen Bestimmungen entsorgen.
- Das Gerät auf eventuelle Transportschäden überprüfen. Wenn das Heizgerät beschädigt ist, sofort den Händler benachrichtigen, bei dem das Gerät erworben wurde.

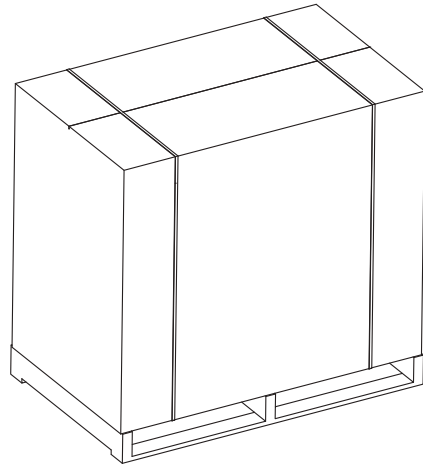


Abbildung 1 - Verpackung

### VERPACKUNG UND LAGERUNG

Falls der Generator gelagert werden soll oder große Transportschäden aufweist oder repariert werden soll, muss:

- Kontrolliert werden, dass die Maschine keine Schäden aufweist, vor allem Verlust von Brennstoff. Sollte dies der Fall sein, den Tank leeren.
- Der Generator auf die gleiche Palette gestellt werden, auf der er ausgepackt wurde (Lagerung) oder auf eine für die Rückgabe geeignete Palette (Euro-Pallett EPA).
- Der Generator entsprechend an der Palette befestigt werden (Abb. 2).
- Wenn möglich die Kartonverpackung von oben auf der Palette positioniert und mit passenden Materialien fixiert werden (Abb. 1).
- Stellen das Gerät in geeigneten und nicht naßen Ort. Nicht mehr als 2 Geräte übereinanderlegen. Schicken das Heizgerät als Abbildung Abb. 1 oder wenigstens als Abb. 2.

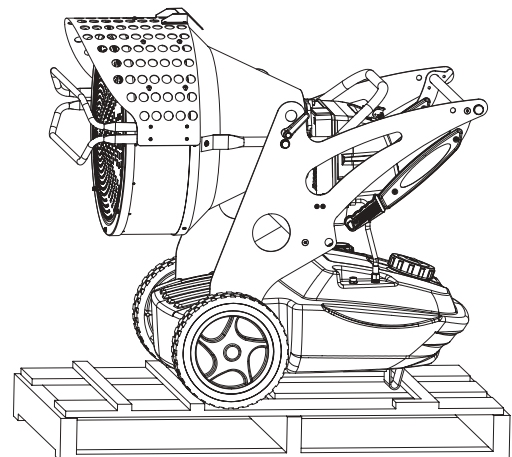


Abbildung 2 - Auf der palette

## SICHERHEITSINFORMATIONEN

### WARNHINWEISE



**WICHTIGER:** Dieses Luftheizgerät wurde für mobile und temporäre professionelle Anwendungen entwickelt. Es wurde weder für den häuslichen Gebrauch noch für den thermischen Komfort des Menschen entwickelt.

**WICHTIG:** Lesen Sie diese Bedienungsanleitung vor der Inbetriebnahme oder der Wartung dieses Heizgerätes sorgfältig und vollständig durch. Unsachgemäße Verwendung dieses Heizgerätes kann schwere Verletzungen oder Tod durch Verbrennung, Feuer, Explosion, Elektroschock sowie Kohlenmonoxydvergiftung zur Folge haben.

**GEFAHR:** Eine Kohlenmonoxydvergiftung kann tödlich sein.

**Kohlenmonoxydvergiftung** - Die frühen Anzeichen einer Kohlenmonoxydvergiftung gleichen denen einer Grippe, wie zum Beispiel Kopfschmerzen, Schwindel und/oder Übelkeit. Diese Symptome können durch eine fehlerhafte Funktionsweise Ihres Heizgerätes bedingt sein. **In diesem Fall begeben Sie sich sofort ins Freie.** Lassen Sie Ihr Heizgerät überprüfen und reparieren. Gewisse Personen sind anfälliger für Kohlenmonoxyd als andere: z.B. schwangere Frauen, Personen mit Herz- oder Lungenkrankheiten oder Anämien, Personen unter Einfluss von Alkohol und diejenigen, die sich in Höhenlagen befinden. Vergewissern Sie sich, dass Sie alle Warnhinweise gelesen und verstanden haben. Bewahren Sie diese Betriebsanleitung zum Nachschlagen auf. Sie dient Ihnen als Führer für die sichere und sachgemäße Bedienung dieses Heizgerätes.

- Verwenden Sie nur Kerosin oder Dieseldieselkraftstoff, um Feuer- und Explosionsgefahr zu vermeiden. Auf keinen Fall Benzin, Naphtha, Farblösungsmittel, Alkohol und andere hochentzündliche Brennstoffe verwenden.
- Brennstoff auffüllen:
  - a) Das mit dem Auffüllen von Brennstoff beschäftigte Personal muss geschult werden und mit den Anweisungen des Herstellers und den geltenden Vorschriften für das sichere Auffüllen von Heizgeräten vollkommen vertraut sein.
  - b) Es darf nur die Art des Brennstoffes verwendet werden, die auf dem Datenschild des Heizgerätes angegeben ist.
  - c) Vor dem Auffüllen muss jede Flamme, einschließlich der Zündflamme, gelöscht werden. Solange warten, bis das Gerät abgekühlt ist.
  - d) Während des Auffüllens von Brennstoff müssen alle Brennstoffleitungen und -anschlüsse auf undichte Stellen untersucht werden. Eventuelle undichte Stellen müssen vor erneuter Inbetriebnahme des Heizgerätes abgedichtet werden.
  - e) Unter keinen Umständen darf mehr als der Tagesbedarf an Brennstoff im gleichen Gebäude, in der Nähe des Heizgerätes, gelagert werden. Große Brennstoffvorräte müssen außerhalb des Gebäudes aufbewahrt werden.
  - f) Alle Brennstofflager müssen sich in einem Mindestabstand von 762 cm zu Heizgeräten, Brennern, Schweißgeräten und ähnlichen Entzündungsquellen (ausgenommen der im Heizgerät integrierte Brennstoffbehälter) befinden.

- g) Der Brennstoff muss an Orten gelagert werden, an denen die Bodenbeschaffenheit Ansammlungen von ausgelaufenem Brennstoff verhindert und Brennstoff nicht durch tiefer gelegene Feuerquellen entzündet werden kann.
- h) Die Aufbewahrung von Brennstoff hat gemäß den geltenden Vorschriften zu erfolgen.
  - Das Heizgerät niemals in der Nähe von Benzin, Farblösungsmitteln oder anderen leicht entzündbaren Dämpfen betreiben.
  - Während der Verwendung dieses Heizgerätes müssen alle örtlich dafür geltenden Bestimmungen und Vorschriften beachtet werden.
  - Heizgeräte, die in der Nähe von Abdeckplanen, Zeltplane oder ähnlichen Abdeckungsmaterialien betrieben werden, sind in einem sicheren Abstand zu diesen Materialien aufzustellen. Der empfohlene Mindestabstand entspricht dem von den zuständigen Behörden vorgeschriebenen Abstand. Es wird außerdem empfohlen, feuerfeste Abdeckungsmaterialien zu verwenden. Jene Materialien müssen sicher befestigt sein, um sie vor Entzündung zu schützen und um zu verhindern, dass sie das Heizgerät bei Windstößen berühren und umstoßen.
  - Nur in gut belüfteten Räumen betreiben. Vorzusehen ist eine Lüftungsöffnung oder zumindest ein angemessener Luftaustausch gemäß den geltenden Vorschriften, um ausreichende Frischluftzufuhr zu gewährleisten.
  - Nur an Orten verwenden, an denen keine entzündbaren Dämpfe bzw. kein hoher Staubgehalt vorhanden ist.
  - Nur unter der auf dem Datenschild angegebenen Stromspannung und -frequenz betreiben.
  - Stets ein ordnungsgemäß geerdetes Verlängerungskabel benutzen.
  - Mindestabstand des Generators zu entzündbaren Stoffen nach den gesetzlich geltenden Bestimmungen der zuständigen Behörde.
  - Zur Vermeidung von Feuergefahr muss das heiße oder in Betrieb befindliche Heizgerät auf einer sicheren, ebenen Fläche aufgestellt sein.
  - Das Heizgerät muss in waagerechter Position bewegt und gelagert werden, um das Verschütten von Brennstoff zu vermeiden.
  - Kinder und Haustiere vom Heizgerät fernhalten.
  - Den Stecker aus der Steckdose ziehen, wenn das Heizgerät nicht in Betrieb ist.
  - Wenn das Gerät durch eine Kontrollvorrichtung (Umgebungs-thermostat oder Timer) gesteuert wird, kann sich das Heizgerät jederzeit einschalten.
  - Das Heizgerät niemals in Wohnräumen benutzen.
  - Niemals den Lufteinlass oder den Luftauslass des Heizgerätes versperren.
  - Das heiße, in Betrieb befindliche oder am Stromnetz angeschlossene Heizgerät niemals bewegen, bedienen, mit Brennstoff auffüllen oder warten.
  - Der Rauch, der bei der ersten Verbrennung austritt, wird durch die Verdunstung von organischem Material (Keramik) im Verbrennungsraum und von Rostschutzöl auf den Oberflächen der Komponenten des Brenners verursacht. Nach ein paar Minuten hört der Rauch auf.
  - Das Gerät bei Raumtemperaturen zwischen -30°C und +40°C benutzen.

## PRODUKTBESCHREIBUNG

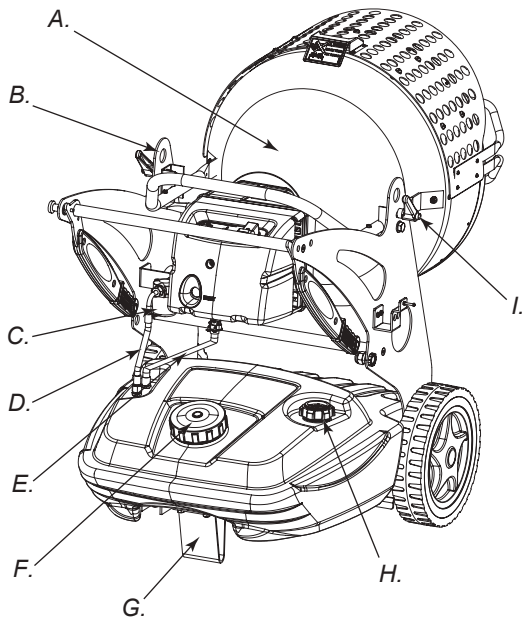


Abbildung 3

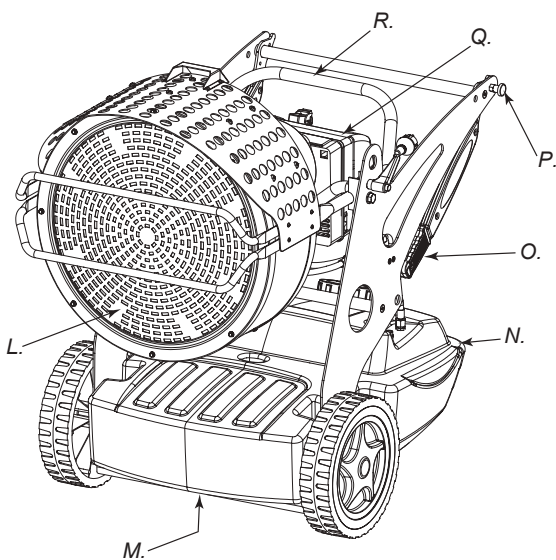


Abbildung 4

**A.** Verbrennungsraum, **B.** Öse für Gerätetransport, **C.** Brennstofffilter oder Beheizungsfilter (optional), **D.** Brennstoffeingang, **E.** Brennstoffausgang, **F.** Tankdeckel, **G.** Drehbares Rad (optional), **H.** Brennstoffanzeige, **I.** Feststellknopf für Verbrennungsaggregat, **L.** Heizscheibe (Infrarotstrahler), **M.** Brennstoffauslassdeckel, **N.** Brennstofftank, **O.** Handgriffe zum Transport, **P.** Feststellstifte für Handgriffe, **Q.** Brenner, **R.** Neigungsregler

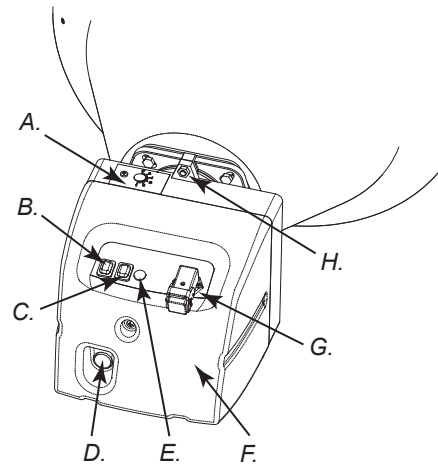


Abbildung 5 - Schaltung

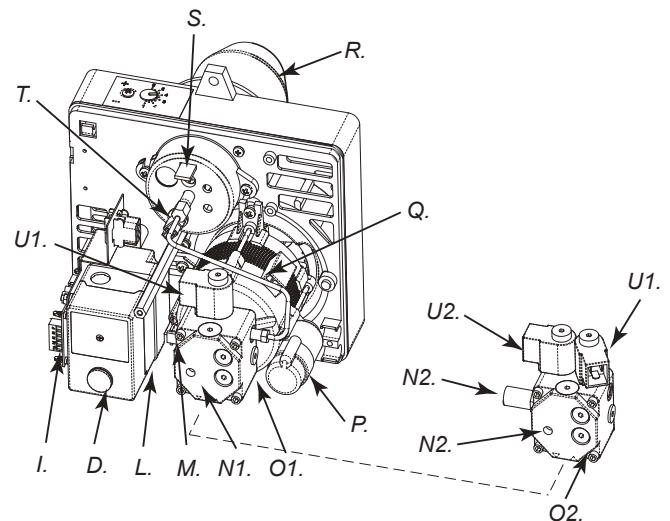


Abbildung 6 - Brennerkomponenten

**A.** Luftregulierung, **B.** ON/OFF-Schalter mit Leuchte, **C.** Schalter für Brennstoffbeheizung (optional) (XL 9SR), **D.** RESET-Schalter, **E.** Spannungskontrollleuchte, **F.** Brennergehäuse, **G.** Anschluss für Umgebungsthermostat, **H.** Schraube, **I.** Nachventilationskarte, **L.** Flammenkontrollautomat, **M.** Transformator, **N1.** Regulierung Druck (XL 9ER) der Pumpe, **N2.** Regulierung Druck (XL 9ER) der Pumpe, **O1.** Kraftstoffpumpe (XL 9ER), **O2.** Kraftstoffpumpe (XL 9SR), **P.** Kondensator, **Q.** Motor, **R.** Brennerrohr, **S.** Regulierung der Luftklappe, **T.** Fotowiderstand, **U1.** Elektrisches Ventil 1. Stufe der Flamme (XL 9ER-S), **U2.** Elektrisches Ventil 2. Stufe der Flamme (XL 9SR)

## BRENNSTOFF

**WARNHINWEIS: Heizgerät NUR mit Kerosin oder Dieselkraftstoff betreiben.**

Der Gebrauch von unreinem Brennstoff führt zu:

- Verstopfung des Brennstofffilters und der Düse.
- Bildung von Kohleablagerungen auf den Elektroden.

Bei niedrigen Temperaturen ist der Zusatz eines ungiftigen Frostschutzmittels notwendig.

## ARBEITSWEISE

Für die für eine korrekte Verbrennung nötige Sauerstoffzufuhr wird durch die Drehung eines im Brenner angebrachten Flügelrads gesorgt. Die Luft tritt aus dem Rohr des Brenners aus und vermischt sich mit dem Brennstoff, der bei hohem Druck von einer Düse pulverisiert wird. Der von der Düse pulverisierte Brennstoff wird von einer rotierenden Pumpe garantiert, die den Brennstoff aus dem Tank saugt und ihn unter hohem Druck zur Düse transportiert, wo er pulverisiert wird.

## INBETRIEBNAHME

**WICHTIG: Vor der Inbetriebnahme und vor dem Anschluss an das Stromnetz, muss kontrolliert werden, ob die Spannung des Stromnetzes mit der auf dem Generator angegebenen Spannung übereinstimmt.**

### EINSCHALTEN DES HEIZGERÄTS

1. Alle Sicherheitsanweisungen befolgen.
2. Auftanken mit Dieselkraftstoff oder Kerosin.
3. Den Tankdeckel schließen.
4. Das Netzkabel des Heizgeräts an eine standardmäßige Schutzkontaktsteckdose anschließen. Darauf achten, dass die Spannung des Stromnetzes mit der auf dem Generator angegebenen Spannung übereinstimmt.

### BETRIEB OHNE UMGEBUNGSTHERMOSTAT



#### •XL 9ER

Den Schalter (B Abb. 5) in Position ON (I) bringen. Die Vorventilation schaltet sich ein. Nach ca. 10 Sekunden beginnt die Verbrennung.

#### •XL 9SR

**ACHTUNG: Vor die Ausschaltung achten sie das die Taste (C Abb. 5) in Position  ist.**

Den Schalter (B Abb. 5) in Position ON (I) bringen. Die Vorventilation schaltet sich ein. Nach ca. 10 Sekunden beginnt die Verbrennung.

Um die maximale Stärke zu erreichen, bringen sie die Taste (C Abb. 5) in Position ( ).

### BETRIEB MIT UMGEBUNGSTHERMOSTAT

Den Umgebungsthermostat oder, falls angeschlossen, die Kontrollvorrichtung (zum Beispiel ein Timer) so einstellen, dass das Gerät betrieben werden kann.

**ACHTUNG: Das Heizgerät kann NUR dann automatisch betrieben werden, wenn eine Kontrollvorrichtung, zum Beispiel ein Umgebungsthermostat oder ein Timer, am Gerät angebracht ist. Um die Kontrollvorrichtung an das Heizgerät anzuschließen, ziehen Sie bitte den Absatz „SCHALTPLAN“ zu Rate.**

Bei der ersten Inbetriebnahme oder nach der vollständigen Entleerung der Brennstoffleitungen, kann der Brennstofffluss an der Düse unzureichend sein und zum Einschreiten der Sicherheitsvorrichtung führen, welche die Flamme kontrolliert (siehe Absatz „SICHERHEITSVORRICHTUNG“). Diese schaltet das Heizgerät aus. In diesem Fall warten Sie bitte etwa eine Minute, drücken dann den RESET-Knopf (D Abb. 5 or 6) und schalten den Apparat erneut ein.

Im Falle ausbleibenden Betriebes, sind zunächst folgende Schritte durchzuführen:

1. Überprüfen Sie, ob sich noch Brennstoff im Tank (N Abb. 4) befindet.
  2. Den RESET-Knopf (D Abb. 5 or 6) drücken.
- Wenn danach das Heizgerät nach wie vor nicht funktioniert, lesen Sie bitte den Absatz „FEHLERSUCHE“ um den Grund des ausbleibenden Betriebs herauszufinden.

**ACHTUNG: Vor die zweite Zündung (Gerät ausgeschaltet und ausreichend kühl) versichern sie die Schrauben die das vorhergehende Umlenkblech (L Abb. 4) blockieren.**

**WARNHINWEIS: Das Netzkabel des Apparates muss geerdet und mit einem thermomagnetisch differenzierten Schalter ausgestattet sein. Der Netzstecker des Heizgerätes muss an eine Steckdose mit ON/OFF-Schalter angeschlossen sein.**

### AUSSCHALTEN DES GERÄTES

Den Schalter (B Abb. 5) in Position OFF (O) bringen oder, falls angeschlossen, das Umgebungsthermostat oder die Kontrollvorrichtung (Timer) richtig einstellen. Die Flamme erlischt und die Ventilation wird fortgesetzt bis die Nachventilation (Abkühlung) abgeschlossen ist.

**WARNHINWEIS: Das Netzkabel erst dann aus der Steckdose ziehen, wenn die Nachventilation (Abkühlung von ca. 3 min) abgeschlossen ist.**

## SICHERHEITSVORRICHTUNG

Das Gerät ist mit einer Sicherheitsvorrichtung (L Abb. 6) ausgestattet, welche die Flamme kontrolliert. Wenn Unregelmäßigkeiten während des Betriebes auftreten, bewirkt diese Vorrichtung die Störabschaltung des Brenners und das Aufleuchten des RESET-Knopfes (D Abb. 5 und 6).

Der Generator verfügt auch über eine Vorrichtung zur Post-Ventilation. Dieses Systems erlaubt eine optimale und automatische Abkühlung der Brennkammer über einen Zeitraum von circa drei Minuten. Vor dem erneuten Einschalten des Gerätes muss die Ursache des Stopps herausgefunden und beseitigt werden.

## TRANSPORT UND BEWEGBARKEIT

**ACHTUNG: Bevor der Generator umgestellt oder angehoben wird, muss man sich versichern, dass die Tankdeckel (F und H Add. 3) gut verschlossen sind.**

### TRANSPORT

Der Generator kann leicht umgestellt werden, außerdem kann er auch angehoben und, mittels spezieller Ringschrauben, auf unterschiedlichen Höhen genutzt werden (B Abb. 3 oder Abb. 7). Man kann ihn also befestigen und anheben, um ihn dort einzusetzen, wo erwärmt, aufgetaut und getrocknet werden soll.

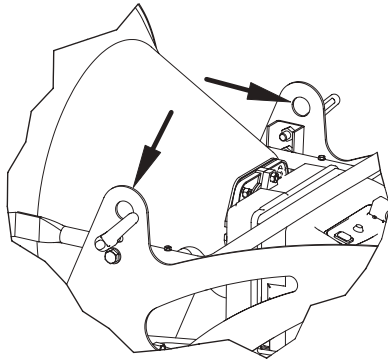


Abbildung 7 - Haken zwecks anheben

**BEWEGBARKEIT**

Das Heizgerät kann mit einem drehbaren Rad (G Abb. 3) versehen sein. In diesem Fall kann das Gerät je nach Bodenbeschaffenheit wie ein Wagen geschoben werden. Wenn das Heizgerät nicht über ein drehbares Rad verfügt, muss man den Feststellstift (P Abb. 4) lösen, der sich seitlich am Rahmen des Gerätes befindet. Die in der „Ruheposition“ (Abb. 8) befindlichen Griffe herunterziehen. Die Griffe drehen und in die „Bewegungsposition“ bringen (Abb. 9). Den Heizstrahler anheben und ihn auf den Vorderrädern schieben.

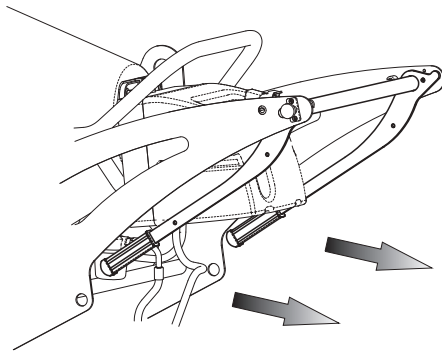


Abbildung 8 - Ruheposition

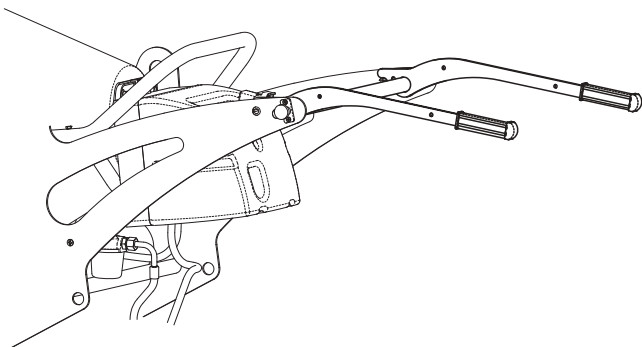


Abbildung 9 - Bewegungsposition

**VORBEUGENDE WARTUNGSVERFAHREN**

**WARNHINWEIS:** Vor dem Beginn jeglicher Wartungsarbeiten muss man: das Heizgerät gemäß den Anleitungen, beschrieben im Absatz „AUSSCHALTEN DES GERÄTES“, abstellen. Die Stromversorgung durch Herausziehen des Netzsteckers unterbrechen und warten bis das Heizgerät abgekühlt ist.

Die in diesem Paragraphen enthaltenen Anweisungen für die Wartung hängen direkt von der Sauberkeit des Brennstoffs und dem Einsatzort des Generators ab. Die unten aufgeführten Anmerkungen beziehen sich auf gut gelüftete Arbeitsräume, die weitgehend staubfrei sind, und sauberen Brennstoff.

Alle 50 Stunden des Betriebes müssen Sie:

- Die Filterkartusche aus der Leitung montieren (siehe „REINIGUNG DES BRENNSTOFFFILTERS“), sie herausnehmen und reinigen.

Alle 200 Stunden des Betriebes müssen Sie:

- Bauen Sie den Pumpenfilter ab (sehen Sie das „SÄUBERN DES FILTERS DER PUMPE“).

Alle 300 Stunden des Betriebes müssen Sie:

- Den Brenner abmontieren und im Inneren des Brennerrohrs die Brennscheibe und Elektroden säubern und, wenn notwendig, deren Abstände regulieren (siehe „REGELMÄSSIGE REINIGUNG DES BRENNERS“).

**REINIGUNG DES BRENNSTOFFFILTERS**

- Das Plastikgefäß abschrauben und das Filterelement (Kartusche) herausnehmen.
- Reinigen Sie es gründlich mit Kerosin.
- Das Filterelement in den eigens dafür vorgesehenen Platz einsetzen und das Plastikgefäß an den festen Teil des Brennstofffilters schrauben.

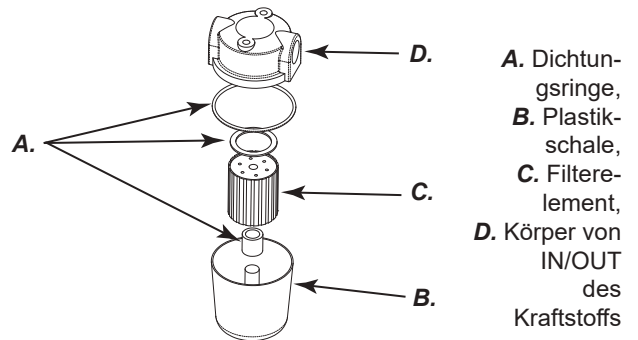


Abbildung 10 - Filter

**SÄUBERN SIE DEN FILTER DER PUMPE**

- Bauen Sie den Brennercoffer ab (F. Abb. 5), die Pumpe des Brenners (O. Abb. 6) kennzeichnen.
- Schrauben Sie die Nuß (A Abb. 11) das ab, welches das Filterelement zur Pumpe blockiert.
- Extrahieren Sie das Filterelement (C Abb. 11) außerhalb seines Platzes.
- Reinigen Sie es gründlich mit Kerosin.
- Setzen Sie das Filterelement zurück in seinen Platz ein und schrauben Sie die Nuß zur Pumpe.

**WARNHINWEIS:** Bevor das Heizgerät bewegt wird muss man: das Gerät gemäß den Anleitungen, beschrieben im Absatz „AUSSCHALTEN DES GERÄTES“, abstellen. Die Stromversorgung durch Herausziehen des Netzsteckers unterbrechen und warten bis das Heizgerät abgekühlt ist.

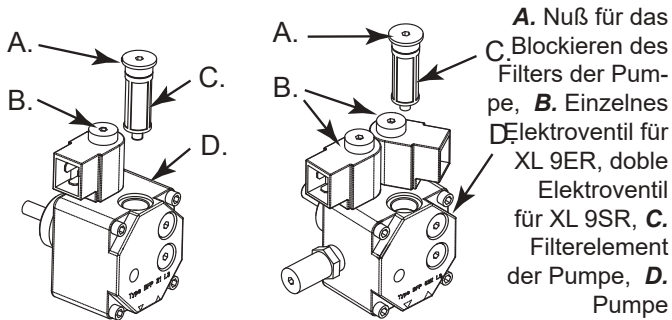


Abbildung 11 - Pumpe des Brenners

**REGELMÄßIGE REINIGUNG DES BRENNERS**

- Die Schraube (H Abb. 5) lösen, welche den Brenner (A Abb. 3) am Verbrennungsraum festhält.
- Den Brenner aus dem Verbrennungsraum ziehen (Abb. 3).
- Die drei Schrauben (B Abb. 12) lösen, welche das Brennerrohr (A Abb. 12) festhalten.
- Das Rohr entfernen.
- Die Schraube (C Abb. 13) lösen, welche das Brennscheibe-Elektroden-Aggregat festhält und sie vom Düsenträgerrohr (F Abb. 14) abziehen.
- Die Brennscheibe (D Abb. 14) und die Elektroden (E Abb. 14) reinigen.
- Die Düse (G Abb. 14) vom Düsenträgerrohr (F Abb. 14) schrauben. Sie reinigen, und wenn notwendig, ersetzen.
- Die Düse (G Abb. 14) wieder an ihrem Platz befestigen.
- Das Brennscheibe-Elektroden-Aggregat wieder montieren und die Elektroden gemäß (Abb. 14) anbringen.

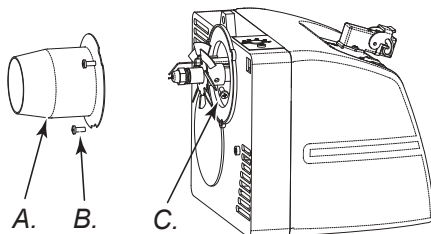


Abbildung 12 - Demontage rohr und brenner

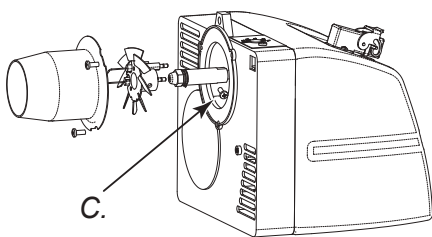


Abbildung 13 - Demontage des Brennscheibe-Elektroden-aggregats

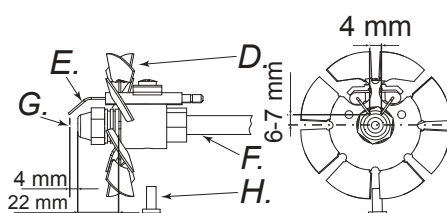
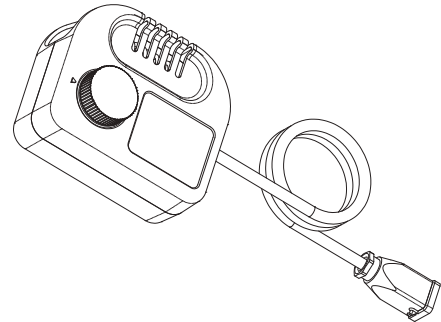
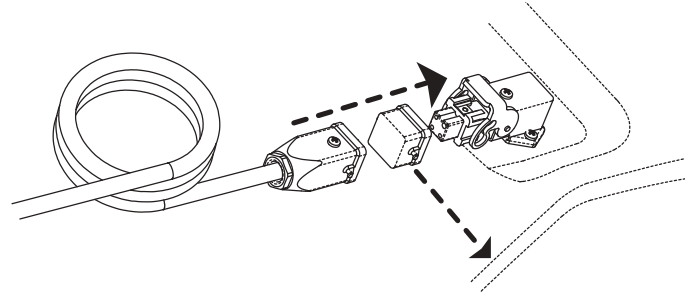
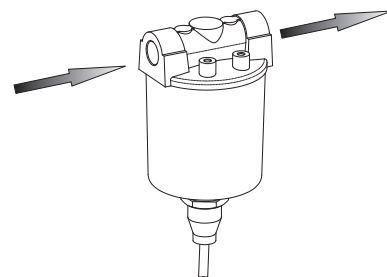
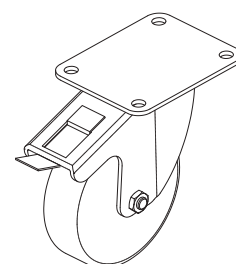


Abbildung 14 - Abstände Elektroden - Düse

A. Rohr, B. Schrauben rohr, C. Schrauben brennscheiben-aggregat, D. Brennscheibe, E. Elektroden, F. Düsenträgerrohr, G. Düse, H. Die Schraube

**ZUBEHÖR  
UMGEBUNGSTHERMOSTAT****ANSCHLUSS DER KONTROLLVORRICHTUNG**

**ACHTUNG:** Vor dem Anschliessen der Steuervorrichtungsbetrieb, müssen Sie: das Gerät ausschalten nach den Anweisungen im Punkt "AUSSCHALTEN DES GERÄTES"; schalten sie die Alimentation aus, indem Sie das Netzkabel vom Anschlußstecker trennen und warten, daß der Generator abkühlt.

**BEHEIZUNGSFILTER****DREHBARES RAD MIT BREMSE**



## FEHLERSUCHE

**WARNHINWEIS:** Vor dem Beginn jeglicher Wartungsarbeiten muss man: das Heizgerät gemäß den Anleitungen, beschrieben im Absatz „AUSSCHALTEN DES GERÄTES“, abstellen. Die Stromversorgung durch Herausziehen des Netzsteckers unterbrechen und warten bis das Heizgerät abgekühlt ist.

BEOBACHTETER FEHLER	MÖGLICHE URSACHE	SÖSUNG
Das Gerät geht mit brennender Flamme in Störabschaltung. RESET-Knopf (D Abb. 5 or 6) leuchtet	<ol style="list-style-type: none"> <li>1. Leitung des Fotowiderstand defekt oder Fotowiderstand durch Rauch verschmutzt</li> <li>2. Brennstofffilter verschmutzt</li> <li>3. Leitung der Flammenkontrollkarte defekt</li> <li>4. Brennscheibe oder Brennerrohr (Abb. 12, 13 or 14) verschmutzt</li> </ol>	<ol style="list-style-type: none"> <li>1. Fotowiderstand reinigen oder ersetzen</li> <li>2. Filter ausbauen und reinigen</li> <li>3. Die Flammenkontrollkarte ersetzen</li> <li>4. Reinigen</li> </ol>
Das Gerät geht in Störabschaltung und sprüht Brennstoff, ohne dass die Flamme brennt. RESET-Knopf (D Abb. 5 or 6) leuchtet	<ol style="list-style-type: none"> <li>1. Elektrische Anlage fehlerhaft</li> <li>2. Zündungstranf (M Abb. 6) unterbrochen</li> <li>3. Die Zündtransformator-kabel entladen sich an Masse</li> <li>4. Die Spitzen der Elektroden sind nicht im richtigen Abstand</li> <li>5. Die Elektroden entladen sich an Masse, weil sie verschmutzt sind oder weil die Isolierung beschädigt ist</li> </ol>	<ol style="list-style-type: none"> <li>1. Kompletten Stromkreis kontrollieren</li> <li>2. Transformator ersetzen</li> <li>3. Kabel ersetzen</li> <li>4. Elektroden in die vorgegebene Position bringen (Abb. 14)</li> <li>5. Elektroden reinigen oder, falls notwendig, ersetzen</li> </ol>
Das Gerät sprüht keinen Brennstoff und geht in Störabschaltung. RESET-Knopf (D Abb. 5 or 6) leuchtet	<ol style="list-style-type: none"> <li>1. Photowiderstand nimmt intensive Lichtquelle wahr</li> <li>2. Es fehlt eine Phase am Motor</li> <li>3. Brennstoff kommt nicht an der Pumpe an</li> <li>4. Kein Brennstoff im Tank</li> <li>5. Düse verstopft</li> </ol>	<ol style="list-style-type: none"> <li>1. Die Maschine unter Vermeidung der Lichtquelle auf den vorderen Deflektor positionieren</li> <li>2. Elektrische Anlage kontrollieren</li> <li>3. Brennstoffleitungen kontrollieren (D Abb. 3)</li> <li>4. Auftanken</li> <li>5. Abmontieren und reinigen</li> </ol>
Der Brenner springt nicht an	<ol style="list-style-type: none"> <li>1. Kontrollvorrichtung (Umgebungsthermostat oder Timer) geöffnet</li> <li>2. Kurzschluss in Fotowiderstand (T Abb. 6)</li> <li>3. Keine Spannung weil Schalter nicht angeschlossen oder Schalter des Zählers verstellt oder kein Strom in der Leitung ist</li> <li>4. Fehlerhafte Installation der Kontrollvorrichtung (Umgebungsthermostat oder Timer)</li> <li>5. Schaden im Flammenkontrollautomat</li> <li>6. Durchgebrannte Sicherung im Inneren der Abdeckung</li> </ol>	<ol style="list-style-type: none"> <li>1. Wert erhöhen oder die eingestellte Zeit des Timers kontrollieren</li> <li>2. Widerstand ersetzen</li> <li>3. Den Schaltkreis schließen und nach und nach die Schalter schließen oder abwarten, bis die Spannung wieder hergestellt ist</li> <li>4. Die Installation anhand des Schaltplans kontrollieren „ANSCHLUSS DER KONTR...“</li> <li>5. Flammenkontrollautomat ersetzen</li> <li>6. Öffnen Sie Brennergehäuse (F Abb. 5) und ersetzen Sie es</li> </ol>
Unregelmäßige Flamme mit unangenehmem Geruch, schwarzem Rauch und an der Heihscheibe austretenden Flammen	<ol style="list-style-type: none"> <li>1. Niedriger Zerstäubungsdruck</li> <li>2. Ungenügende Luftzufuhr für Verbrennung</li> <li>3. Durch Schmutz verstopfte oder abgenutzte Düse</li> <li>4. Wasser im Brennstoff</li> <li>5. Brennstoff im Tank geht zu Ende</li> </ol>	<ol style="list-style-type: none"> <li>1. Vorgesehen Wert wieder einstellen</li> <li>2. Luftzufuhr erhöhen</li> <li>3. Düse reinigen oder ersetzen</li> <li>4. Tank am dafür vorgesehenen Auslass leeren und wieder auffüllen (M Abb. 4)</li> <li>5. Tank auffüllen</li> </ol>

## ÍNDICE

1. PRESENTACIÓN DEL PRODUCTO
1. DESEMBALAJE Y EMBARQUE
2. INFORMACION SOBRE LA SEGURIDAD
3. IDENTIFICACIÓN DEL PRODUCTO
4. COMBUSTIBLE
4. TEORIA DE FUNCIONAMIENTO
4. PUESTA EN MARCHA
4. DISPOSITIVO DE SEGURIDAD
4. TRANSPORTE Y DESPLAZAMIENTO
5. MANTENIMIENTO PREVENTIVO
6. ACCESORIOS OPCIONALES
7. IDENTIFICACION DE AVERIAS

## PRESENTACIÓN DEL PRODUCTO

XL 9 es un generador de calor por irradiación. La tecnología de irradiación quiere seguir el mismo principio físico en el que se funda el calentamiento de la luz solar. En efecto, el sol no calienta los cuerpos a través de un flujo de aire cálido, sino a través de ondas irradiantes. El sistema por irradiación está obteniendo un amplio consenso entre la clientela profesional, gracias a las innumerables ventajas ofrecidas por este tipo de tecnología. XL 9 se ha diseñado sobre la base de este principio físico y se ha convertido en un especial generador de calor, indispensable si se desea una fuente de calor homogénea y uniforme, apropiada para calentar, descongelar y secar. Además, es tan silencioso que permite trabajar con el aparato encendido sin sufrir por los ruidos normalmente causados por otros sistemas de calefacción. El generador está dotado de ruedas engomadas y se puede desplazar fácilmente de un lugar a otro, igual que se puede levantar e instalar según diferentes niveles de utilización, a través de la disposición de especiales cáncamos. La gran autonomía de rendimiento, junto con la posibilidad de funcionar de forma automática por medio de termóstato, le permiten al operador una gran libertad de utilización. Un indicador exterior para el control cualitativo del carburante presente en el depósito permite comprobar rápidamente la eventual necesidad de restaurar el nivel de combustible. La posibilidad de contar con dos grados de potencia (en el modelo SR), permite una mejor utilización del aparato en diferentes regímenes de aplicación y en las diferentes estaciones del año.

## DESEMBALAJE Y EMBARQUE

### DESEMBALAJE

- Retirar los flejes del embalaje (Fig. 1).
- Abrir la parte superior del embalaje.
- Quitar la caja de cartón hacia arriba.
- Retirar las fijaciones del generador al palet (Fig. 2).
- Bajar el generador del palet.
- Desprenderse de los materiales del embalaje según la normativa vigente en la localidad.
- Comprobar que el generador no ha sufrido daños durante el transporte. Si ha sido dañado, proceder a su reparación utilizando los recambios originales.

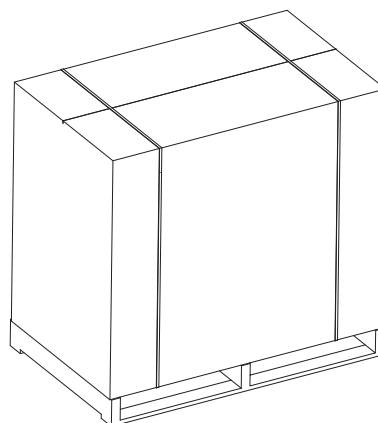


Figura 1 - Embalaje

### EMBARQUE Y ALMACENAMIENTO

En el caso de que el generador se tenga que almacenar o haya sufrido importantes daños durante el transporte o se tenga que arreglar, hay que:

- Controlar que el aparato no haya sufrido daños, sobre todo pérdidas de combustible. En ese caso, vaciar el depósito del carburante restante.
- Colocar el generador en la misma bancada de la que se ha desembalado (almacenaje) o en una apropiada para la devolución (europallet con la marca de la EPA).
- Fijar adecuadamente el generador a la bancada (Fig. 2).
- Si es posible, colocar el embalaje de cartón, desde arriba, sobre el pallet fijándolo con materiales apropiados (Fig. 1).
- Almacenar el aparato en un lugar apropiado y no húmedo, no sobreponer más de dos aparatos. Enviar el generador como en Fig. 1 o por lo menos como en Fig. 2.

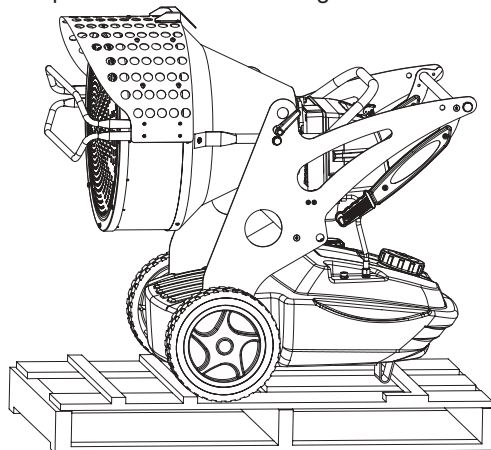


Figura 2 - Encima el palet

## INFORMACION SOBRE LA SEGURIDAD

### ADVERTENCIAS



**IMPORTANTE:** Este generador de aire caliente ha sido diseñado para aplicaciones profesionales móviles y temporales. No ha sido diseñado para uso doméstico ni para el bienestar térmico de las personas.

**IMPORTANTES:** Leer atentamente todas las instrucciones de este manual, antes de realizar el primer encendido o proceder al mantenimiento del equipo. Un mal uso o mantenimiento del calentador puede causar lesiones graves o accidentes fatales: quemaduras, asfixia por monóxido de carbono, incendios, explosiones, descargas eléctricas, etc. El buen uso del calentador y un correcto mantenimiento evitará estos problemas.

**PELIGRO:** La inhalación de monóxido de carbono puede resultar fatal.

**Asfixia por monóxido de carbono** - Los primeros síntomas de asfixia se parecen a los de la gripe, con dolores de cabeza, vértigos y náuseas. Estos síntomas pueden ser causados por un funcionamiento defectuoso del generador. **En este caso salir inmediatamente al exterior. Hacer reparar el Generador.** Hay personas que acusan especialmente los efectos del monóxido de carbono, especialmente las mujeres embarazadas y aquellas que padecen enfermedades cardíacas o pulmonares, anemias, personas en estado de embriaguez o las que se encuentran en localidades a mucha altura sobre el nivel del mar. Asegurarse de leer y entender todas las advertencias. Conservar este manual para futuras consultas, como guía para un funcionamiento correcto y seguro del generador.

- Tipo de combustible: Como combustible utilizar solamente GASOLEO para evitar los riesgos de incendio o explosión. NO UTILIZAR gasolina, nafta, disolventes de ningún tipo, alcohol u otros combustibles altamente inflamables.
- Abastecimiento de combustible:
  - a) El personal encargado del abastecimiento debe ser cualificado y tener total conocimiento de las instrucciones del fabricante y de la normativa vigente para un abastecimiento seguro del generador.
  - b) Utilizar solamente el combustible expresamente especificado por el fabricante en la placa de características del generador o en el Manual de instrucciones.
  - c) Antes de proceder al llenado del depósito de combustible apagar todas las llamas, incluso la llama piloto si la hubiere y esperar a que el generador esté se enfríe completamente
  - d) En el proceso del llenado, inspeccionar todas las líneas de combustible y racores, asegurándose que no existe ninguna pérdida de combustible. Cualquier pérdida deberá ser reparada antes de poner de nuevo en funcionamiento el generador.
  - e) En ninguna circunstancia se debe almacenar en el mismo local, en las cercanías del generador, una cantidad de combustible superior a la necesaria para mantener en funcionamiento el equipo durante un día. El depósito de almacenamiento debe estar alejado del calentador, a una distancia prudencial.
  - f) Todos los depósitos de combustible, a excepción del propio depósito incorporado en el equipo, deben estar a una distancia mínima de seguridad del calentador, lo mismo que cualquier

posible fuente de llama o chispa: equipos de soldadura, mecheros, quemadores etc.

- g) El combustible debe estar almacenado en locales cuyo suelo no permita la filtración de eventuales gotas o derrames, encima de posibles llamas inferiores que puedan provocar un incendio.
- h) La conservación o almacenamiento de combustible, deberá efectuarse de acuerdo con la normativa vigente.
  - No usar nunca el generador en locales donde haya presente gasolina, disolventes u otros líquidos o vapores altamente inflamables.
  - Durante la utilización del calentador respetar todas las ordenanzas locales y la normativa vigente.
  - Los calentadores usados en locales con cortinas, telones u otros materiales similares de recubrimiento o decoración, deben situarse a una distancia de seguridad de ellos, que será la estipulada por la normativa vigente de la localidad. Para mayor seguridad se aconseja utilizar materiales de tipo innifugo, no inflamables, para cubrir o decorar los locales. Estos materiales bien instalados evitan riesgos de incendio e interferencias negativas del viento sobre el buen funcionamiento del generador.
  - Utilizar los calentadores solamente en áreas bien ventiladas. Disponer de entradas suficientes para una adecuada renovación del aire interior, según la normativa vigente local o nacional, con el objeto de aportar suficiente aire exterior.
  - Alimentar el generador con corriente monofásica a 220-240V / 50Hz de acuerdo con las especificaciones indicadas en la placa de características.
  - Usar solamente prolongadores de tres hilos con la toma de tierra debidamente conectada.
  - Mantener la distancia mínima de seguridad establecida por la normativa vigente, entre el generador y las sustancias combustibles depositadas en el local.
  - Poner el generador cuando está en funcionamiento o caliente sobre una superficie estable y bien nivelada horizontalmente, para evitar riesgos de incendio.
  - Cuando se retira y se guarda el generador, mantenerlo en su posición natural horizontal, para evitar pérdidas de combustible.
  - Mantener el generador alejado de los niños o los animales.
  - Desenchufar la alimentación eléctrica cuando no se use el generador.
  - Cuando el generador está controlado por un sistema automático de encendido, como un Termostato ambiente o un Programador eléctrico, puede arrancar en cualquier momento, por lo que debe estar correctamente posicionado y guardar todas las normas de seguridad indicadas.
  - No usar nunca el calentador en aplicaciones domésticas.
  - No obstruir nunca las tomas de aire o las rejillas del calentador.
  - Cuando el generador está caliente, conectado a la red o en funcionamiento nunca debe ser desplazado, manipulado, llenado de combustible ni sujeto a ningún tipo de mantenimiento.
  - El humo que se produce en el primer encendido, se debe a la evaporación de los materiales orgánicos presentes en la cámara de combustión y a los aceites anticorrosivos y antioxidantes que protegen los componentes del quemador. Después de algunos minutos el humo desaparecerá.
  - Utilizar el generador en interiores bien ventilados, con temperaturas ambiente entre -30°C y +40°C.

## IDENTIFICACIÓN DEL PRODUCTO

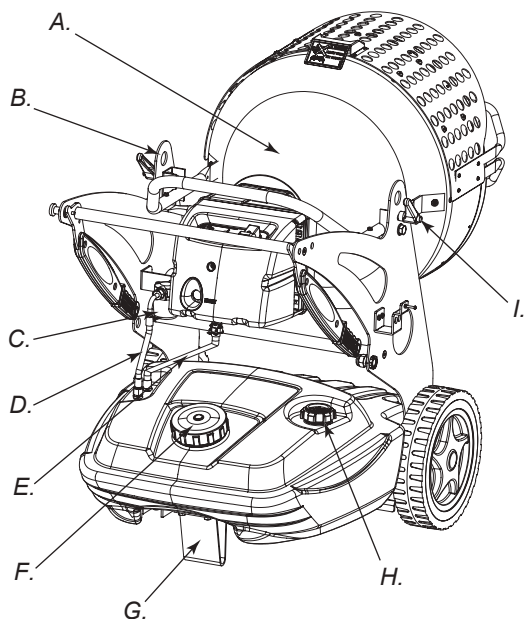


Figura 3

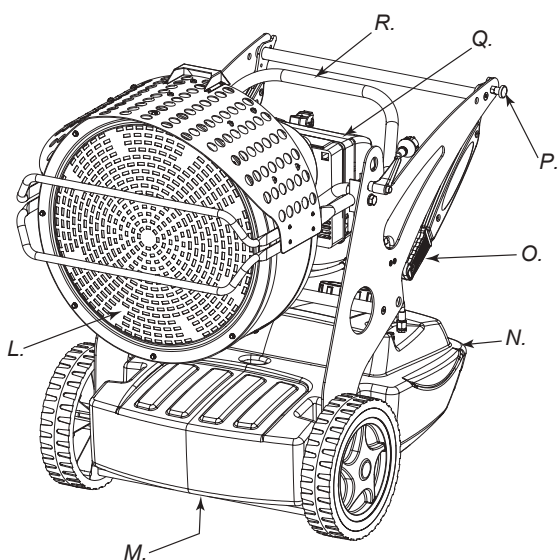


Figura 4

**A.** Cámara de combustión, **B.** Agujero para elevación del conjunto combustión, **C.** Filtro combustible o filtro con precalentamiento (OPCIONAL), **D.** Aspiración de combustible, **E.** Retorno de combustible, **F.** Tapón depósito combustible, **G.** Pié ó Rueda (OPCIONAL), **H.** Indicador de nivel combustible, **I.** Mando de bloqueo del conjunto combustión, **L.** Pantalla radiante cámara combustión, **M.** Tapón drenaje de combustible, **N.** Depósito combustible, **O.** Manillar de transporte (2), **P.** Perno de bloqueo del manillar, **Q.** Quemador, **R.** Maneral para inclinación de la cámara combustión

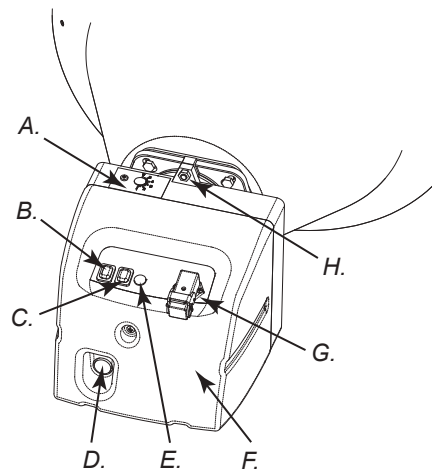


Figura 5 - Controles de la función

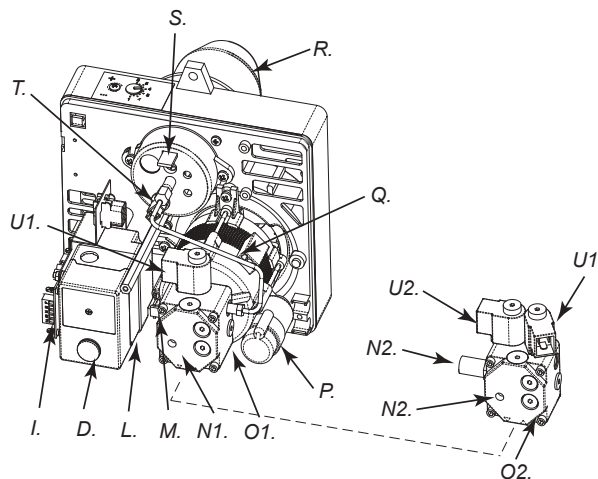


Figura 6 - Componentes del quemador

**A.** Regulación aire primario de la combustión, **B.** Interruptor de encendido ON/OFF, **C.** Interruptor ON/OFF segunda potencia (XL 9SR), **D.** Pulsador RESET (Rearme), **E.** Piloto stand-bay, **F.** Caja del quemador, **G.** Conexión termostato ambiente, **H.** Tornillo de fijación quemador, **I.** Tarjeta de post-ventilación, **L.** Centralita electrónica de control, **M.** Transformador, **N1.** Regulación Presión (XL 9ER) de la bomba, **N2.** Regulación Presión (XL 9SR) de la bomba, **O1.** Bomba combustible (XL 9ER), **O2.** Bomba combustible (XL 9SR), **P.** Condensador, **Q.** Motor, **R.** Tubo quemador, **S.** Regulación de la cabeza de combustión, **T.** Focélula, **U1.** Electroválvula 1° grado de llama (XL 9ER-SR), **U2.** Electroválvula 2° grado de llama (XL 9SR)

## COMBUSTIBLE

**MUY IMPORTANTE: El generador funciona solamente con GASOLEO.**

La utilización de un combustible sucio o impuro puede causar:

- La obstrucción del filtro de combustible y de la boquilla.
  - La formación de depósitos de carbonilla sobre los electrodos.
- Que impedirán la producción de la chispa de encendido. A baja temperatura usar aditivos anticongelantes no tóxicos.

## TEORIA DE FUNCIONAMIENTO

El aire necesario para garantizar una combustión correcta es producido por la rotación de un rotor que está dentro del quemador. El flujo de aire sale del bote del quemador y se mezcla con el combustible que es pulverizado por una tobera bajo una elevada presión. El combustible pulverizado por la tobera es garantizado por una bomba rotatoria que aspira el combustible del depósito y lo empuja a alta presión hasta la tobera para la pulverización.

## PUESTA EN MARCHA

**ATENCIÓN: Antes de la primera puesta en marcha del generador y por tanto antes de conectarlo a la red eléctrica, comprobar que la tensión de alimentación de la red, se corresponde con la indicada en la placa de características del equipo.**

### ENCENDIDO DEL GENERADOR


1. Seguir todas las indicaciones relativas a la seguridad.
2. Llenar el depósito con GASOLEO.
3. Poner el tapón del depósito.
4. Enchufar el cable de alimentación a una base de enchufe con toma de tierra, que tenga la misma tensión que la indicada en la placa de identificación del aparato.


### ENCENDIDO SIN TERMOSTATO AMBIENTE

#### • QUEMADOR XL 9ER

Poner el interruptor (B Fig. 5) en la posición ON. Se inicia el pre-barrido del programador de la centralita del quemador y aproximadamente 10 segundos después se inicia la combustión.

#### • QUEMADOR XL 9SR

**ADVERTENCIA: Antes de encender el generador para cerciorarse de que el botón (la Fig. de C 5) está apagada en la posición .**

Poner el interruptor (B Fig. 5) en la posición ON (I). Se inicia el pre-barrido del programador de la centralita del quemador y aproximadamente 10 segundos después se inicia la combustión. Para tener el portare de la potencialidad del máximo fijado el interruptor (C Fig. 5) en la posición .

### ENCENDIDO CON TERMOSTATO AMBIENTE

Regular el termostato ambiente u otro dispositivo de control que se haya podido conectar (por ejemplo un Timer), de forma que permita el funcionamiento.

**ATENCIÓN: El generador puede funcionar de manera automática SOLO cuando tiene conectado un dispositivo de control: termostato ambiente, timer, etc.. Para conectar un dispositivo de este tipo, consultar el libro de instrucciones en el párrafo "Esquema eléctrico" o dirigirse a su distribuidor.**

En la primera puesta en marcha o después de haber vaciado el depósito y el circuito de combustible completamente, el flujo de gasóleo inicial puede ser insuficiente para cebar el circuito, por lo que actuará el dispositivo de seguridad de la centralita de control, (ver párrafo Dispositivo de seguridad), bloqueando el funcionamiento. En este caso y después de esperar aproximadamente un minuto, pulsar el rearme manual RESET (D Fig. 5-6) y se iniciará de nuevo el proceso. Repetir una o dos veces más si no se inicia el encendido.

En caso de fallo después de dos o tres intentos de encendido, proceder a realizar las siguientes operaciones:

1. Controlar que el depósito (N Fig. 4) tiene suficiente gasóleo.
2. Pulsar el botón de rearme RESET (D Fig. 5-6).

Si después de tales operaciones el generador sigue sin funcionar, consultar en el Manual de Instrucciones el apartado correspondiente a "Averías más frecuentes" y descubrir la causa del fallo y el modo de resolverla.

**MUY IMPORTANTE: Antes de la segunda ignición (generatore extinguido y adecuadamente frío) para asegurar el bloqueo de los tornillos que bloquean la desviación anterior (L Fig. 4).**

**IMPORTANTE: La línea eléctrica de alimentación al generador debe estar dotada de toma de tierra y protegida por un diferencial magneto-térmico adecuado. El enchufe del generador debe ser conectado a una toma dotada de interruptor de sección.**

### APAGADO DEL GENERADOR

Si el generador no tiene conectado ningún termostato o timer, poner el interruptor (B Fig. 5) en la posición OFF, la llama se apaga y la ventilación continúa hasta terminar el ciclo de post-ventilación para la refrigeración del equipo.

Si hay conectado un control automático por termostato o timer, el calentador se apagará girando el regulador del control a la posición adecuada. Como en el caso anterior, la llama se apagará y continuará funcionando en post-ventilación.

**IMPORTANTE: Nunca se desenchufará el generador de la red de alimentación eléctrica antes de que se complete el ciclo de post-ventilación y con ello la refrigeración del aparato. Esto durará unos 3 minutos aproximadamente.**

## DISPOSITIVO DE SEGURIDAD

El generador está dotado de un Sistema de seguridad en la Centralita de Control (L Fig. 6) para el control de la llama de la combustión. Si se produce alguna anomalía durante el funcionamiento y se apaga la llama, este sistema provoca el bloqueo y parada del quemador y en consecuencia el encendido del piloto del pulsador de rearme RESET (D Fig. 5 o 6).

El generador está dotado también de un aparato de post-ventilación. Este aparato permite una óptima refrigeración automática de la cámara de combustión en unos 3 minutos. Antes de volver a poner en marcha el calentador, se debe averiguar y resolver la causa que ha producido el bloqueo del quemador.

## TRANSPORTE Y DESPLAZAMIENTO

**CUIDADO: Antes de levantar o desplazar el aparato asegurarse de que los tapones del depósito (F y H Fig. 3) estén bien cerrados.**

### TRANSPORTE

El generador se puede desplazar fácilmente de un lugar a otro, igual que se puede levantar e instalar según diferentes niveles de utilización, a través de la disposición de especiales cáncamos. (B Fig. 3 o Fig. 7). Por lo tanto es posible fijar el aparato y levantarlo para colocarlo donde haga falta calentar, descongelar y secar.

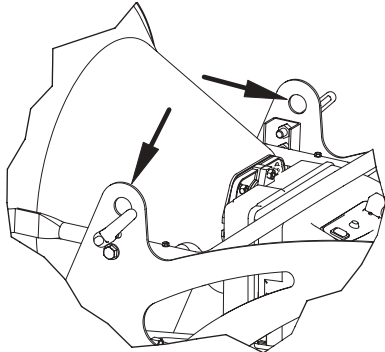


Figura 7 - Ganchos para levantar

### DESPLAZAMIENTO

El aparato puede estar dotado de rueda de pivotante (G Fig. 3), en este caso si el suelo lo permite, se puede desplazar el generador como un carrito. En el caso de que el aparato no fuese provisto de esta rueda, desbloquear el perno (P Fig. 4) situado en el soporte lateral del generador y girar los manillares de transporte (Fig. 8), desde su "posición de reposo" a la "posición de transporte" (Fig. 9). Levantar el generador y desplazarlo sobre las ruedas delanteras.

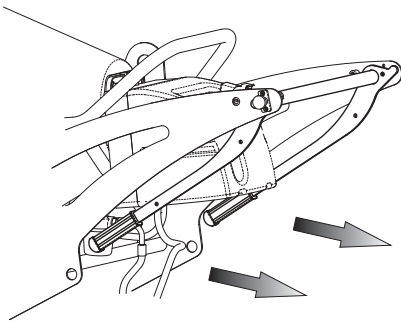


Figura 8 - Posición de reposo

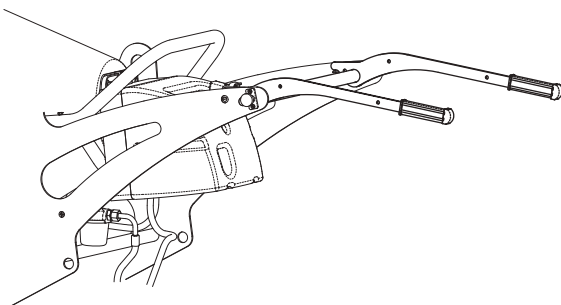


Figura 9 - Posición de transporte

**IMPORTANTE:** Antes de cualquier desplazamiento se debe: Apagar el generador según las indicaciones descritas en el apartado correspondiente de este Manual, esperar el tiempo de post-ventilación para su enfriamiento y desenchufar la conexión eléctrica de la red.

## MANTENIMIENTO PREVENTIVO

**ADVERTENCIA:** Antes de iniciar cualquier operación de mantenimiento se debe: Apagar el generador, según las indicaciones descritas en el apartado "APAGADO DEL GENERADOR" de este Manual, esperar el tiempo de post-ventilación para su total enfriamiento y desenchufar la conexión eléctrica de la red.

Las instrucciones de este párrafo, que conciernen los tiempos de mantenimiento, están fuertemente relacionadas con la limpieza y el tipo de lugar en que se utilice el generador. En particular, los tiempos especificados a continuación se refieren no sólo a lugares de trabajo aireados y poco polvorientos sino también a la utilización de combustible limpio.

Cada 50 horas de funcionamiento se debe:

- Desmontar el filtro de combustible y limpiar el cartucho filtrante, según se explica en el apartado "Limpieza del filtro de Gasóleo".

Cada 200 horas de funcionamiento se debe:

- Desmontar el filtro de la bomba y limpiar el cartucho filtrante, según se explica en el apartado "Limpieza del filtro de la bomba".

Cada 300 horas de funcionamiento se debe:

- Desmontar el Quemador y limpiar el interior del tubo de combustión, el deflector o disco de llama, los electrodos y la boquilla, tal como se indica en el apartado "LIMPIEZA DEL QUEMADOR".

### LIMPIEZA DEL FILTRO DE GASOLEO

- Desmontar el vaso de plástico y extraer el elemento o cartucho filtrante.
- Limpiarlo perfectamente con aire comprimido y gasóleo.
- Colocar de nuevo el cartucho en su alojamiento, con todas sus juntas de goma y roscar cuidadosamente el vaso de plástico en el cuerpo del filtro, teniendo mucho cuidado de apretarlo correctamente, para no dejar entradas de aire que más tarde impedirían el buen funcionamiento del calentador.

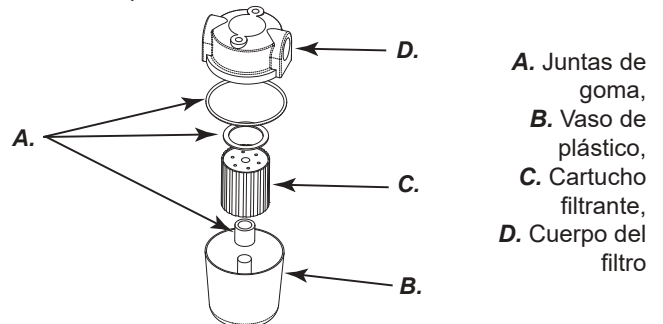


Figura 10 - Filtro de gasoleo

### LIMPIEZA DEL FILTRO DE LA BOMBA

- Desmontar la Caja del quemador (F Fig. 5), para identificar la bomba del quemador (O Fig. 6).
- Desatornille la tuerca (A Fig. 11) eso que bloquea el elemento filtrante a la bomba.
- Extraiga el elemento filtrante (C Fig. 11).
- Limpiarlo perfectamente con aire comprimido y gasóleo.
- Inserte el elemento filtrante nuevamente dentro de su lugar y atornille la tuerca a la bomba.

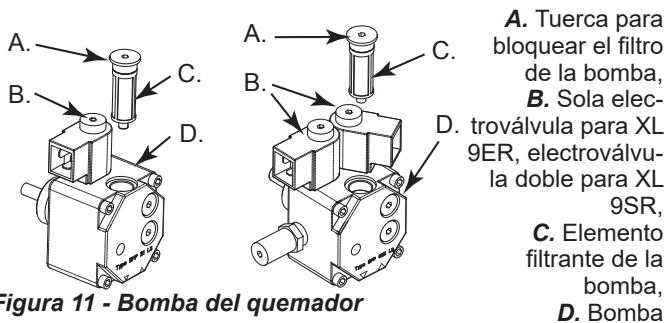


Figura 11 - Bomba del quemador

**LIMPIEZA DEL QUEMADOR**

- Retirar los tornillos (H Fig. 5) de fijación del quemador, a la placa soporte de la cámara de combustión (A Fig. 3).
- Quitar el quemador de la cámara de combustión (Fig. 3).
- Retirar los tres tornillos (B Fig. 12) de fijación del tubo del quemador (A Fig. 12).
- Retirar el tubo girándolo en sentido contrario a las agujas del reloj, según se mira al quemador.
- Retirar los tornillos (C Fig. 13) que sujetan el conjunto disco llama -electrodos y deslizarlo sobre el porta-boquilla (ver Fig. 14)
- Limpiar el disco llama (D Fig. 14) y los dos electrodos (E Fig. 14) sustituyéndolos si fuese necesario.
- Quitar la boquilla (G Fig. 14) del porta-boquillas (F Fig. 14) para limpiarla bien y si fuese necesario sustituirla por otra de las mismas características.
- Colocar de nuevo la boquilla (G Fig. 14) ya limpia en su alojamiento.
- Colocar el conjunto disco llama-electrodos, ajustando con sumo cuidado todos los reglajes que se indican en la (Fig. 14).

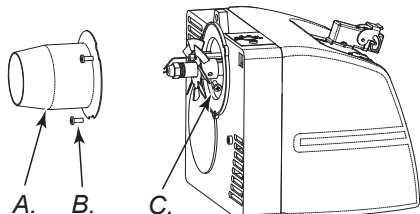


Figura 12 - Tubo del quemador

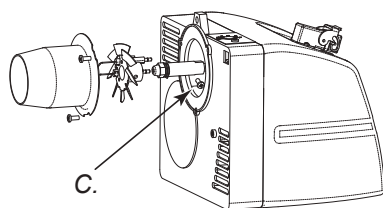


Figura 13 - Conjunto disco llama - electrodos y deslizarlo sobre el porta-boquilla

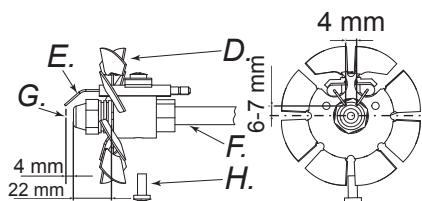
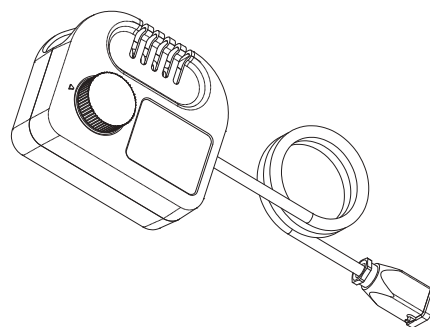


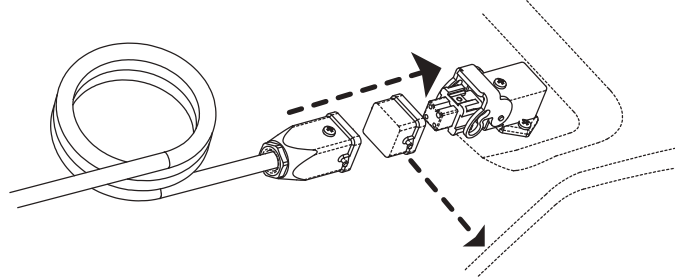
Figura 14 - Disco llama-electrodos

- A. Tubo del quemador, B. Tornillos tubo del quemador, C. Tornillos disco llama, D. Disco llama, E. Electrodos, F. Porta-boquillas, G. Boquilla, H. Tornillos

**ACCESORIOS OPCIONALES**  
**TERMOSTATO AMBIENTE**

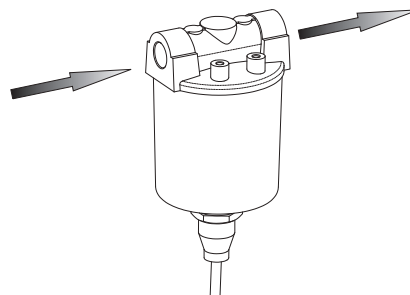


**CONEXIÓN DEL TERMOSTATO AMBIENTE**

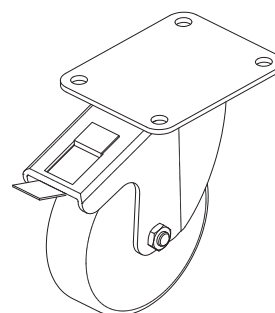


**ATENCIÓN:** Antes de conectar los elementos de control se debe: apagar el generador según las indicaciones descritas en el apartado correspondiente de este Manual "APAGADO DEL GENERADOR", esperar el tiempo de post-ventilación para su enfriamiento y desenchufar la conexión eléctrica de la red.

**FILTRO PRE-CALENTADOR DE COMBUSTIBLE**



**RUEDA APOYO**



## IDENTIFICACION DE AVERIAS

**ADVERTENCIA:** Antes de iniciar cualquier operación de mantenimiento se debe: Apagar el generador, según las indicaciones descritas en el apartado “APAGADO DEL GENERADOR” de este Manual, esperar el tiempo de post-ventilación para su total enfriamiento y desenchufar la conexión eléctrica de la red.

AVERIA	POSIBLE CAUSA	SOLUCIÓN
El generador no enciende. Botón RESET (D Fig 5 o 6) encendido	<ol style="list-style-type: none"> <li>1. Circuito de la Fococélula averiada o Fococélula sucia de humo</li> <li>2. Filtro Combustible sucio</li> <li>3. Circuito de la tarjeta de control de llama averiado</li> <li>4. Disco llama o tubo quemador sucios (Fig. 12, 13, 14)</li> </ol>	<ol style="list-style-type: none"> <li>1. Limpiar la fococélula o sustituirla</li> <li>2. Desmontar filtro y limpiarlo</li> <li>3. Sustituir la tarjeta de control de llama</li> <li>4. Desmontarlo y limpiarlos</li> </ol>
El generador pulveriza combustible pero no enciende. Botón RESET (D Fig 5 o 6) encendido	<ol style="list-style-type: none"> <li>1. Instalación eléctrica incorrecta e</li> <li>2. Transformador de encendido averiado (Fig. 6)</li> <li>3. Los cables del transformador de encendido L, derivados a tierra</li> <li>4. Los electrodos no están a la distancia correcta</li> <li>5. Los electrodos están derivados a tierra por suciedad o por el aislamiento de porcelana dañado</li> </ol>	<ol style="list-style-type: none"> <li>1. Revisar todo el circuito eléctrico</li> <li>2. Sustituirlo</li> <li>3. Sustituirlo</li> <li>4. Hacer correctamente el reglaje (ver Fig. 14)</li> <li>5. Limpiarlos y si es necesario sustituirlos. Hacer el reglaje</li> </ol>
El generador no pulveriza combustible y está bloqueado. Botón RESET (D Fig 5 o 6) encendido	<ol style="list-style-type: none"> <li>1. Fotoresistencia con una intensa fuente de luz</li> <li>2. Falta una fase del motor</li> <li>3. el gasóleo no llega a la bomba</li> <li>4. Falta gasóleo en el depósito</li> <li>5. Boquilla obstruida</li> </ol>	<ol style="list-style-type: none"> <li>1. Colocar el aparato evitando acercar la fuente de luz al deflector anterior</li> <li>2. Revisar todo el circuito eléctrico</li> <li>3. Revisar las líneas de combustible y el ajuste del vaso del filtro (D Fig. 3)</li> <li>4. Llenar el depósito de Gasóleo</li> <li>5. Limpiarla o sustituirla</li> </ol>
Quemador no arranca	<ol style="list-style-type: none"> <li>1. El Termostato ambiente, Timer, etc, no está en posición de trabajo</li> <li>2. Fococélula (T Fig. 6) averiada</li> <li>3. Falta tensión por: Interruptor encendido desconectado, o averiado o falta corriente en la acometida eléctrica</li> <li>4. La instalación de los elementos de control, termostato, timer, etc., es incorrecta</li> <li>5. Avería interna en la Centralita de control</li> <li>6. Fusible de protección interior quemado</li> </ol>	<ol style="list-style-type: none"> <li>1. Colocarlo en la posición correcta</li> <li>2. Sustituirla</li> <li>3. Comprobar la Instalación eléctrica según se explica en el aparato “CONEXIÓN DEL TERMOSTATO AMBIENTE”</li> <li>4. Comprobar la instalación eléctrica de acuerdo con el esquema eléctrico</li> <li>5. Repararla o sustituirla</li> <li>6. Abrir la Caja del quemador (F Fig. 5) y sustituirlo</li> </ol>
Llama con mal color y mal olor, humo negro y llama saliendo por la pantalla radiante delantera	<ol style="list-style-type: none"> <li>1. Presión de pulverización baja</li> <li>2. Falta de aire en la combustión</li> <li>3. Boquilla obstruida de suciedad o desgastada</li> <li>4. Combustible con agua o de mala calidad</li> <li>5. El depósito está agotando el combustible</li> </ol>	<ol style="list-style-type: none"> <li>1. Ajustar la presión de la bomba</li> <li>2. Abrir el paso de aire</li> <li>3. Limpiar la boquilla o sustituirla</li> <li>4. Vaciar y enjuagar el depósito y llenarlo de nuevo (M Fig. 4)</li> <li>5. Llenar el depósito de combustible</li> </ol>



## INDEX

1. PRÉSENTATION DU PRODUIT
1. DÉBALLAGE ET EMBALLAGE
2. INFORMATIONS AU SUJET DE LA SÉCURITÉ
3. IDENTIFICATION DES PRODUITS
4. COMBUSTIBLE
4. PRINCIPES DE FONCTIONNEMENT
4. MISE EN MARCHÉ
4. DISPOSITIFS DE SÉCURITÉ
4. TRANSPORT ET DÉPLACEMENT
5. PROGRAMME D'ENTRETIEN PRÉVENTIF
6. ACCESSOIRES
7. REPÉRAGE DES PANNES

## PRÉSENTATION DU PRODUIT

XL 9 est un générateur de chaleur à rayonnement. La technologie à rayonnement suit le principe physique qui est à la base du réchauffement par la lumière du soleil. En effet, le soleil réchauffe les corps sans flux d'air chaud, mais à travers des ondes irradiantes. Le système à rayonnement rencontre un succès croissant auprès de la clientèle professionnelle, en vertu des nombreux avantages qu'offre ce type de technologie. XL 9 a été conçu sur la base de ce principe physique et il est ainsi devenu un générateur de chaleur indispensable dans les endroits où l'on a besoin d'une source de chaleur homogène et uniforme pour chauffer, décongeler et sécher. Par ailleurs, il est très silencieux et permet donc de travailler avec la machine en marche sans devoir supporter les inconvénients causés par le bruit des autres systèmes de chauffage. Le générateur est équipé de roues en caoutchouc et peut donc être facilement transporté d'une pièce à l'autre, tout comme il peut être soulevé et placé à différents niveaux, grâce à des anneaux de fixation spéciaux. Son autonomie de performance et la possibilité de l'utiliser en automatique grâce à un thermostat offrent à l'opérateur une grande liberté d'emploi. Un indicateur externe pour le contrôle de la quantité de carburant contenue dans le réservoir permet de vérifier rapidement s'il faut rajouter ou non du combustible. La possibilité d'avoir deux degrés de puissance dans la version SR permet une utilisation optimale de la machine sous différents régimes d'application et à toutes les périodes de l'année.

## DÉBALLAGE ET EMBALLAGE

### DÉBALLAGE

- Éliminer les supports utilisés pour emballer l'appareil (Fig. 1).
- Ouvrir l'emballage à partir du haut.
- Enlever le carton par le haut.
- Enlever les supports qui bloquent le générateur sur la palette (Fig. 2).
- Faire descendre délicatement le générateur de la palette.
- Éliminer le matériel utilisé pour emballer le générateur selon les réglementations en vigueur dans l'État d'appartenance.
- Contrôler la machine de façon à déceler d'éventuels dommages subis durant le transport. Si l'appareil semble être abîmé, informer immédiatement le concessionnaire chez lequel a été effectuée l'acquisition.

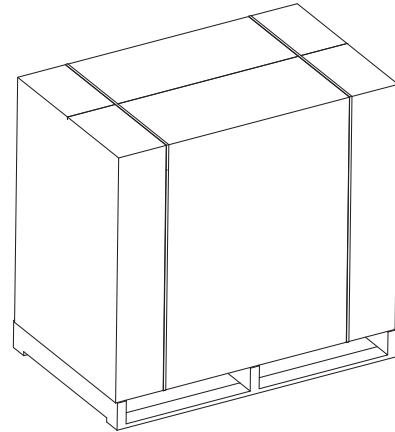


Figure 1 - Emballage

### EMBALLAGE Y ENTREPOSAGE

Si le générateur doit être stocké, s'il a subi des dégâts lors du transport ou s'il doit être réparé, vous devez:

- Contrôler que la machine ne soit pas endommagée, en particulier qu'elle ne présente pas de fuite de combustible. Si c'est le cas, vider complètement le réservoir de son carburant.
- Placer le générateur sur la plate-forme où il a été déballé (stockage) ou sur une plate-forme adaptée à sa restitution (europallet marqué EPA).
- Fixer solidement le générateur sur la plate-forme (Fig. 2).
- Lorsque c'est possible, placer l'emballage en carton depuis le haut sur la plate-forme en le fixant avec des matériaux ad hoc (Fig. 1).
- Stocker la machine dans un endroit adapté et non humide, et ne pas placer plus de deux machines l'une sur l'autre. Expédier le générateur comme sur la Fig. 1, ou du moins la Fig. 2.

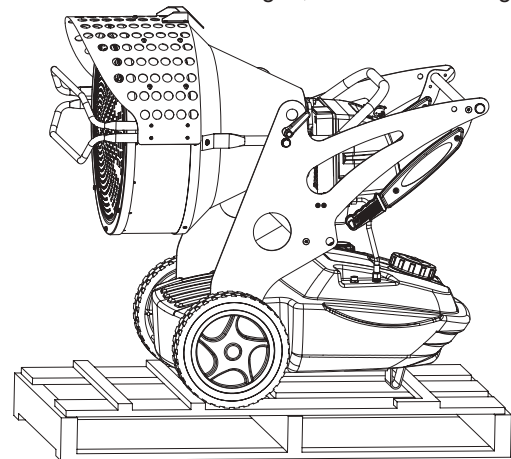


Figure 2 - Sur le palette

## INFORMATIONS AU SUJET DE LA SÉCURITÉ

### AVERTISSEMENT



**IMPORTANT:** Cet réchauffeur d'air a été conçu pour des applications professionnelles mobiles et temporaires. Il n'a pas été conçu pour un usage domestique ni pour le confort thermique humain.

**IMPORTANT:** Lire attentivement et complètement le manuel d'instructions avant d'allumer ou d'entretenir le générateur. Un mauvais usage du générateur peut provoquer des lésions graves ou fatales à la suite de brûlures, d'incendie, d'explosion, de décharges électriques ou d'asphyxie par hydroxyde de carbone.

**DANGER:** L'asphyxie par oxyde de carbone peut être fatale.

**Asphyxie par oxyde de carbone** - Les premiers symptômes de l'asphyxie par oxyde de carbone ressemblent à ceux de la grippe avec des maux de tête, des vertiges et/ou des nausées. De tels symptômes pourraient être causés par un fonctionnement défectueux du générateur. **Dans ce cas, sortir immédiatement à l'air libre.** Faire réparer le générateur. Certaines personnes ressentent davantage les effets de l'oxyde de carbone: les femmes enceintes, ceux qui souffrent de maladies cardiaques ou pulmonaires, les anémiques, les alcooliques et ceux qui se trouvent en altitude. S'assurer de lire et de comprendre tous les avertissements. Conserver ce manuel comme future référence: il fait en effet office de guide pour le fonctionnement sûr et correct du générateur.

- Utiliser uniquement du kérosène ou du gas-oil afin d'éviter les risques d'incendie ou d'explosion. Ne jamais utiliser d'essence, de mazout, de solvants pour peintures, d'alcool ou d'autres combustibles hautement inflammables.
- Réapprovisionnement:
  - a) Le personnel chargé du ravitaillement doit être qualifié et familiarisé avec les instructions du fabricant et avec la réglementation en vigueur relative au réapprovisionnement en toute sécurité des générateurs.
  - b) Utiliser uniquement le combustible expressément indiqué sur l'étiquette d'identification du générateur.
  - c) Avant d'effectuer le réapprovisionnement, éteindre tous les flammes, y compris celle de veille, et attendre que le générateur refroidisse.
  - d) Au cours du réapprovisionnement, inspecter toutes les conduits du combustible et les raccordements à la recherche d'éventuelles fuites. Toute fuite doit être réparée avant de remettre en marche le générateur.
  - e) Une quantité de combustible supérieure à celle pour maintenir en fonction le générateur pendant une journée ne doit en aucun cas être dans le même bâtiment et à proximité du générateur. Les citernes de stockage du carburant doivent être dans une structure séparée.
  - f) Tous les réservoirs du combustible doivent se trouver à une distance minimum de sécurité des réchauffeurs, chalumeaux oxyhydriques, équipements pour la soudure et d'autres sources inflammables (exception faite du réservoir de combustible incorporé dans le générateur).

- g) Le combustible doit être conservé dans des locaux dont le sol ne permet pas la pénétration et l'égouttement du combustible lui-même sur des flammes sous-jacentes qui peuvent provoquer le départ d'un feu.
- h) La conservation du combustible doit être réalisée conformément à la réglementation en vigueur.
  - Ne jamais utiliser le générateur dans des locaux où sont présents de l'essence, des solvants pour peintures ou d'autres vapeurs hautement inflammables.
  - Pendant l'utilisation du générateur, respecter toutes les ordonnances locales et les réglementations en vigueur.
  - Les réchauffeurs utilisés à proximité de bâches, de tentures ou d'autres matériels de couverture de même type doivent être situés à une distance de sécurité de ces derniers. La distance minimum de sécurité est celle recommandée par les réglementations en vigueur dans l'État d'appartenance. Il est également conseillé d'avoir recours à des équipements de couverture ignifugés. De tels matériels doivent être fixés de façon sûre pour éviter qu'ils ne prennent feu et qu'il y ait des interférences avec le générateur à cause du vent.
  - Utiliser seulement dans des espaces bien aérés. Prévoir une ouverture ou au moins un échange d'air adéquat selon les réglementations en vigueur dans l'État d'appartenance de façon à faire pénétrer de l'air frais depuis l'extérieur.
  - Alimenter le générateur seulement avec un courant ayant la tension et la fréquence indiquées sur l'étiquette d'identification.
  - Utiliser uniquement des rallonges à trois fils, opportunément reliées à la masse.
  - Distance minimum de sécurité entre le réchauffeur et des substances combustibles selon les réglementations en vigueur dans l'État d'appartenance.
  - Mettre le générateur chaud ou en marche sur une surface stable et plane de façon à éviter les risques d'incendie.
  - Quand le générateur est déplacé ou simplement conservé, le maintenir horizontal pour éviter que le combustible ne s'échappe.
  - Mettre le générateur hors de portée des enfants et des animaux.
  - Débrancher le générateur de la prise de courant quand il est éteint.
  - Quand le réchauffeur est muni d'un dispositif de contrôle (thermostat ou minuterie), il peut s'allumer à tout moment.
  - Ne jamais utiliser le générateur dans des pièces fréquemment habitées.
  - Ne jamais boucher la grille d'aspiration et de dissipation.
  - Quand le réchauffeur est chaud, relié au courant ou en marche, il ne doit jamais être déplacé, manipulé, ravitaillé ou encore sujet à une quelconque intervention d'entretien.
  - La fumée qui s'échappe lors de la première combustion est due à l'évaporation de matières organiques (céramiques) présentes dans la chambre de combustion et à l'huile anticorrosion présente à la surface des composants du brûleur. Après quelques minutes, la fumée disparaîtra.
  - Utiliser la machine à une température comprise entre -30°C et +40°C.

## IDENTIFICATION DES PRODUITS

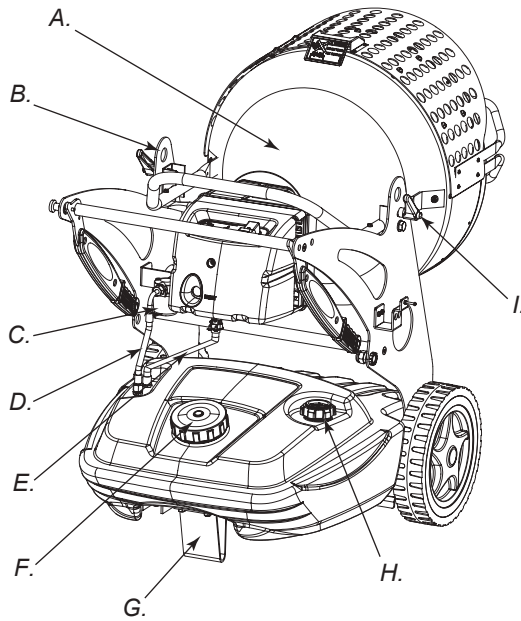


Figure 3

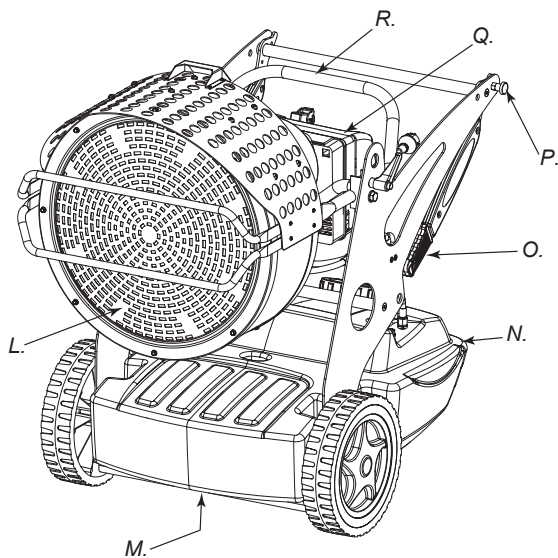


Figure 4

**A.** Chambre de combustion, **B.** Trou pour le transport de l'appareil, **C.** Filtre combustible ou filtre préchauffage (en option), **D.** Refoulement combustible, **E.** Retour combustible, **F.** Bouchon ravitaillement combustible, **G.** Pied ou Roue (en option), **H.** Indicateur niveau combustible, **I.** Blocage groupe combustion, **L.** Déflecteur antérieur, **M.** Bouchon vidange combustible, **N.** Réservoir, **O.** Poignée pour le transport du générateur., **P.** Bloc-poignée, **Q.** Brûleur, **R.** Régulateur inclinaison

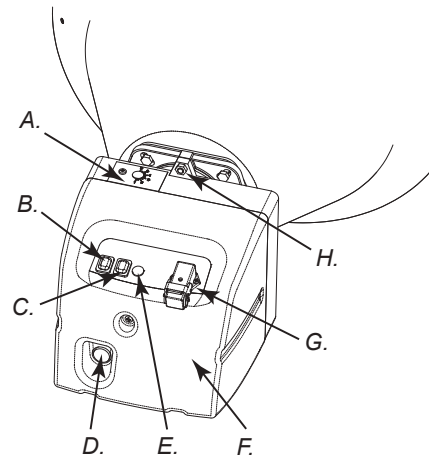


Figure 5 - Fonctions du

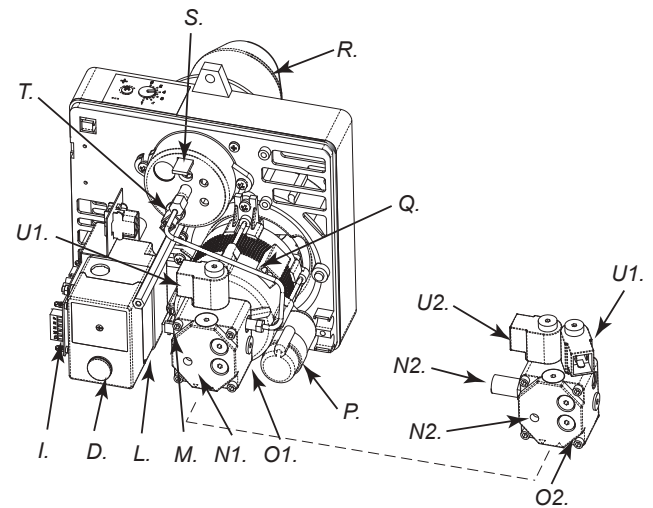


Figure 6 - Pièces du brûleur

**A.** Régulation volet d'air, **B.** Interrupteur ON/OFF lumineux, **C.** Interrupteur ON/OFF seconde puissance (XL 9SR), **D.** Bouton RESET, **E.** Voyant tension, **F.** Coffre brûleur, **G.** Branchement thermostat, **H.** Vis, **I.** Fiche post-ventilation, **L.** Appareillage contrôle flamme, **M.** Transformateur, **N1.** Réglage Pression (XL 9ER) de la pompe, **N2.** Réglage Pression (XL 9SR) de la pompe, **O1.** Pompe à combustible (XL 9ER), **O2.** Pompe à combustible (XL 9SR), **P.** Condensateur, **Q.** Moteur, **R.** Conduit du brûleur, **S.** Réglage de la tête de combustion, **T.** Photorésistance, **U1.** Soupape électrique 1° stade de flamme (XL 9ER-SR), **U2.** Soupape électrique 2° stade de flamme (XL 9SR)

## COMBUSTIBLE

**AVERTISSEMENT: Le générateur fonctionne SEULEMENT avec du kérosène ou du gas-oil.**

L'usage d'un combustible impur peut causer:

- L'engorgement du filtre du combustible et de l'injecteur.
- La formation de dépôts carbonés sur les électrodes.

À basse température, utiliser des additifs antigel non toxiques.

## PRINCIPES DE FONCTIONNEMENT

L'air assurant une combustion correcte est produit par la rotation d'un ventilateur à l'intérieur du brûleur. Le flux de l'air sort par le tube du brûleur et se mélange avec le combustible qui est pulvérisé par une buse à haute pression. Le combustible pulvérisé par la buse est contrôlé par une pompe rotative qui l'aspire hors du réservoir et le pousse à haute pression jusqu'à la buse pour la pulvérisation.

## MISE EN MARCHÉ

**ATTENTION: Avant de mettre en marche le générateur et donc avant de le relier au courant électrique d'alimentation, il faut contrôler si les caractéristiques du courant électrique correspondent à celles reportées sur l'étiquette d'identification du générateur.**

### ALLUMAGE DU GÉNÉRATEUR


1. Suivre toutes les instructions relatives à la sécurité.
2. Effectuer le ravitaillement avec du gas-oil ou du kérosène.
3. Fermer le bouchon du réservoir
4. Insérer la fiche du câble d'alimentation dans une prise murale reliée à la masse et ayant une tension égale à celle reportée sur l'étiquette d'identification de l'appareil.


### ALLUMAGE SANS THERMOSTAT

#### • XL 9ER

Mettre l'interrupteur (B Fig. 5) sur la position ON; la période de pré-ventilation démarre environ 10 secondes après le début de la combustion.

#### • XL 9SR

**AVERTISSEMENT: Avant d'actionner le générateur, vérifiez que l'interrupteur (C Fig. 5) soit éteint (position ).**

Allumez (pièce B Fig. 5) dans la position ON (I). La phase de pré-ventilation démarre, et après 10 secondes environ la combustion commence aussi. Pour obtenir une potentialité maximale il faut allumer (C Fig. 5) - position .

### ALLUMAGE AVEC THERMOSTAT

Régler le thermostat ou le dispositif de contrôle (par exemple une minuterie), si connecté, de façon à en permettre le fonctionnement.

**ATTENTION: Le générateur peut fonctionner de façon automatique SEULEMENT quand un dispositif de contrôle, par exemple un thermostat ou une minuterie, est connecté au générateur. Pour connecter le dispositif de contrôle à l'appareil, consulter le paragraphe «SCHÉMA ÉLECTRIQUE».**

Lors de la première mise en marche ou après la vidange complète du circuit du gas-oil, le flux de gas-oil au niveau de l'injecteur peut être insuffisant et causer l'intervention du dispositif de sécurité de contrôle de la flamme (voir le paragraphe «DISPOSITIFS DE SÉCURITÉ») qui arrête le générateur. Dans ce cas, après avoir attendu pendant environ une minute, appuyer sur le bouton Reset (D Fig. 5-6) et allumer de nouveau l'appareil.

En cas de non-fonctionnement, les premières opérations à faire sont les suivantes:

1. Contrôler que le réservoir (N Fig. 4) contient encore du gas-oil.
2. Appuyer sur le bouton RESET de pour réenclencher le dispositif (D Fig. 5-6).

Si le générateur ne fonctionne toujours pas après de telles opérations, consulter le paragraphe «REPÉRAGE DES PANNES» et comprendre la cause du non fonctionnement.

**AVERTISSEMENT: Avant le deuxième allumage (générateur éteint et froid), il faut vérifier le blocage des vis bloquant le déflecteur antérieur (L Fig. 4).**

**AVERTISSEMENT: La ligne électrique d'alimentation du générateur doit être pourvue de mise à terre et d'un interrupteur magnéto-thermique différentiel. La fiche électrique du générateur doit être branchée à une prise munie d'un interrupteur coupe courant.**

### EXTINCTION DU GÉNÉRATEUR

Mettre l'interrupteur (B Fig. 5) sur la position OFF ou agir, si connecté, sur le thermostat ou sur le dispositif de contrôle (minuterie), en le réglant de façon adéquate. La flamme s'éteint et la ventilation persiste jusqu'à l'achèvement du cycle de post-ventilation (refroidissement).

**AVERTISSEMENT: Avant de débrancher le câble d'alimentation de la prise, attendre l'achèvement du cycle de post-ventilation (refroidissement d'environ 3 minutes).**

## DISPOSITIFS DE SÉCURITÉ

Le générateur est doté d'un système de sécurité (L Fig. 6) pour le contrôle de la flamme. Si on constate une ou plusieurs anomalies au cours du fonctionnement, cet appareillage provoque le blocage du brûleur et l'allumage du voyant du bouton RESET (D Fig. 5 o 6). Le générateur est aussi muni d'un équipement de post-ventilation. Cet équipement permet un refroidissement optimal et automatique de la chambre de combustion pendant une durée d'environ 3 min. Avant de remettre en marche le générateur, repérer et éliminer la cause qui a provoqué le blocage.

## TRANSPORT ET DÉPLACEMENT

**ATTENTION: Avant de soulever ou de déplacer la machine, s'assurer que les bouchons du réservoir (F et H Fig. 3) soient bien fermés.**

### TRANSPORT

Le générateur peut être facilement transporté d'une pièce à l'autre, tout comme il peut être soulevé et placé à différents niveaux, grâce à des anneaux de fixation spéciaux (B Fig. 3 ou Fig. 7). Il est donc possible de fixer la machine et de la soulever pour la placer aux endroits où l'on doit chauffer, décongeler et sécher.

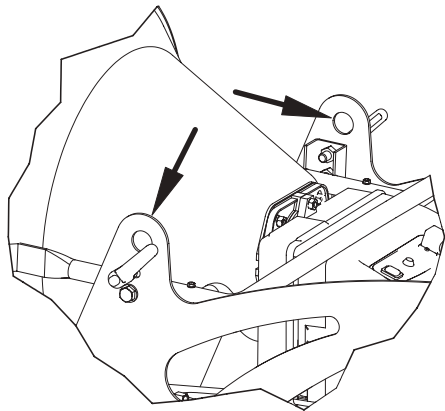


Figure 7 - Crochets afin d'augmenter

### DÉPLACEMENT

Le générateur peut être muni de roues pivotantes (G Fig. 3). Dans ce cas, si le terrain le permet, il convient de pousser le générateur comme un chariot. Au cas où l'appareil n'a pas de roues pivotantes, il convient de bloquer le pivot (P Fig. 4) placé sur un des montants latéraux du générateur. Baisser la poignée de la «position au repos» (Fig. 8). Tourner la poignée à la position «position de déplacement» (Fig. 9). Soulever le générateur et le déplacer en le faisant rouler sur les roues antérieures.

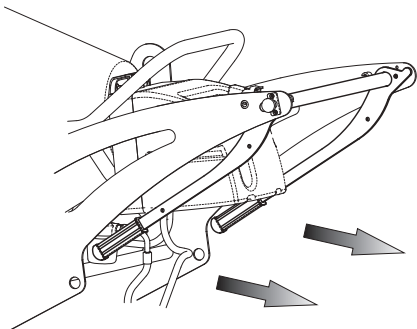


Figure 8 - Position avec poignées fermées (au repos)

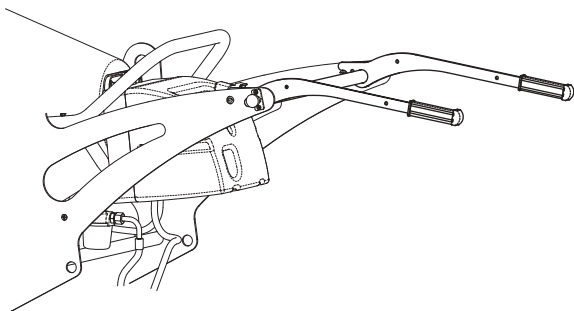


Figure 9 - Position avec poignées ouvertes (en déplacement)

**AVERTISSEMENT:** Avant de déplacer l'appareil, il faut arrêter la machine selon les indications décrites dans le paragraphe «EXTINCTION DU GÉNÉRATEUR», débrancher l'alimentation électrique en ôtant la fiche de la prise électrique murale et attendre que le générateur refroidisse.

## PROGRAMME D'ENTRETIEN PRÉVENTIF

**AVERTISSEMENT:** Avant de commencer une quelconque opération d'entretien, arrêter la machine selon les indications décrites dans le paragraphe «EXTINCTION DU GÉNÉRATEUR», arrêter l'alimentation électrique en débranchant la fiche de la prise électrique et attendre que le générateur refroidisse.

Les instructions contenues dans ce paragraphe, qui concernent les temps d'entretien, sont étroitement liées au nettoyage du combustible et au type d'espace dans lequel le générateur est utilisé. En particulier, les indications ci-dessous sont valables pour des espaces de travail aérés et peu poussiéreux, et lorsque le combustible employé est propre.

Toutes les 50 heures de fonctionnement, il faut:

- Démontez la cartouche du filtre en ligne (voir «NETTOYAGE FILTRE GAS-OIL»), la sortir et la nettoyer.

Toutes les 200 heures de fonctionnement, il faut:

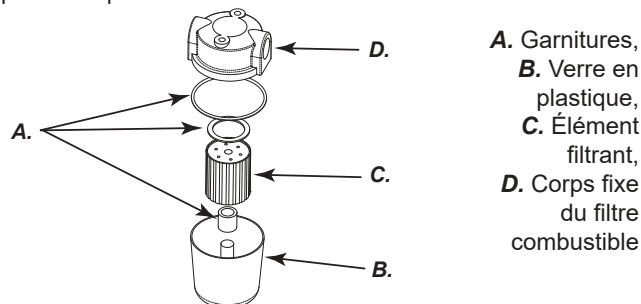
- Démontez la cartouche du filtre en ligne (voir «NETTOYAGE FILTRE DE LA POMPE»).

Toutes les 300 heures de fonctionnement, il faut:

- Démontez le brûleur et nettoyez à l'intérieur du conduit du brûleur le disque-flamme et les électrodes en réglant si nécessaire la distance (voir «NETTOYAGE DE ROUTINE DU BRÛLEUR»).

### NETTOYAGE FILTRE GAS-OIL

- Dévisser le verre en plastique et sortir l'élément filtrant (cartouche).
- Le nettoyer de façon adéquate avec le kérosène.
- Remettre l'élément filtrant à sa place et visser le verre en plastique au corps fixe du filtre combustible.

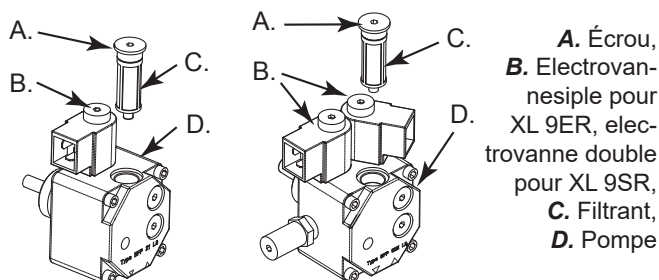


- A. Garnitures,
- B. Verre en plastique,
- C. Élément filtrant,
- D. Corps fixe du filtre combustible

Figure 10 - Filtre en ligne

### NETTOYAGE FILTRE DE LA POMPE

- Démontez le coffre du brûleur (F Fig. 5), identifier la pompe du brûleur (O Fig. 6).
- Dévisser l'écrou (A Fig. 11) fixant l'élément filtrant à la pompe.
- Extrayez l'élément filtrant (C Fig. 11).
- Nettoyez-le bien avec du kérosène.
- Insérez l'élément filtrant et vissez l'écrou à la pompe.



- A. Écrou,
- B. Electrovan-nesiple pour XL 9ER, electrovanne double pour XL 9SR,
- C. Filtrant,
- D. Pompe

Figure 11 - Pompe du brûleur

## NETTOYAGE DE ROUTINE DU BRÛLEUR

- Dévisser la vis (H Fig. 5) qui bloque le brûleur (A Fig. 3) à la chambre de combustion.
- Extraire le brûleur de la chambre de combustion (Fig. 3).
- Dévisser les trois vis (B Fig. 12) qui bloquent le conduit du brûleur (A Fig. 12).
- Démontez le conduit.
- Dévisser la vis (C Fig. 13) qui bloque le groupe disque flamme-électrodes et l'enlever du porte-injecteur (F Fig. 14).
- Nettoyer le disque flamme (D Fig. 14) et les électrodes (E Fig. 14).
- Dévisser l'injecteur (G Fig. 14) du porte-injecteur (F Fig. 14). Le nettoyer ou, si nécessaire, le remplacer.
- Remonter l'injecteur (G Fig. 14) à sa place.
- Remonter le groupe disque flamme-électrodes en réglant les distances de façon adéquate d'après l'illustration (Fig. 14).

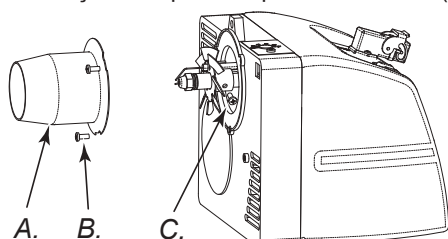


Figure 12 - Coquille-brûleur de démontage

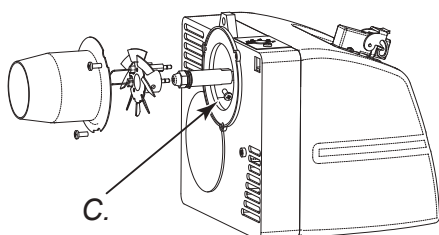


Figure 13 - Démontage du groupe disque flamme-électrodes

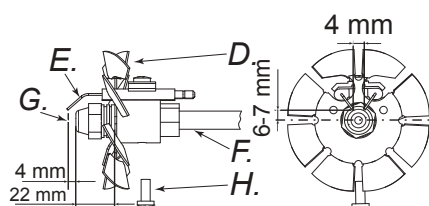
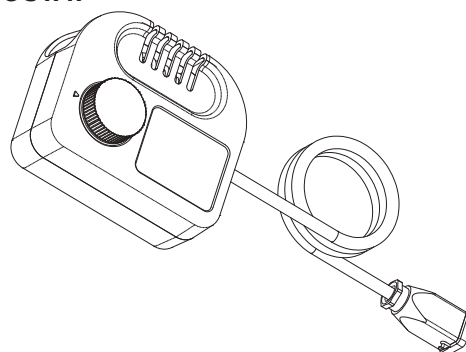


Figure 14 - Distances électrodes - injecteur

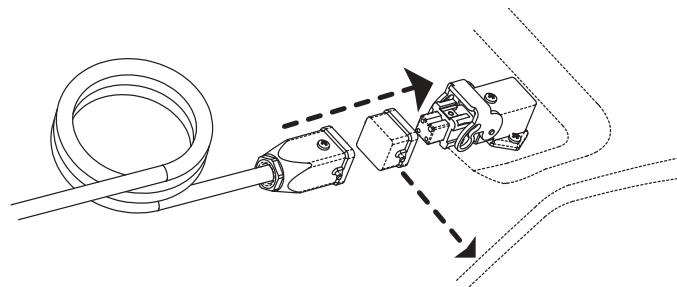
A. Conduit du brûleur, B. Vis qui bloquent le conduit du brûleur, C. Vis qui bloque, D. Flame disk, E. Électrodes, F. Tube, G. Nozzel, H. Vis

## ACCESSOIRES

### THERMOSTAT

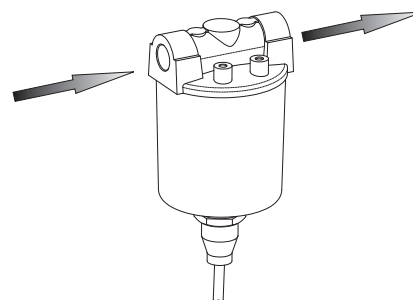


### CONNEXION DU DISPOSITIF DE CONTRÔLE

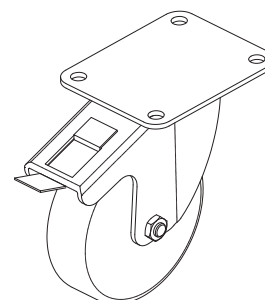


**AVERTISSEMENT:** Avant de commencer une quelconque opération d'entretien, arrêter la machine selon les indications décrites dans le paragraphe «EXTINCTION DU GÉNÉRATEUR», arrêter l'alimentation électrique en débranchant la fiche de la prise électrique et attendre que le générateur refroidisse.

### FILTRE DE PRÉCHAUFFAGE



### ROULETTE PIVOTANTE



## REPÉRAGE DES PANNES

**AVERTISSEMENT:** Avant de commencer une quelconque opération d'entretien, arrêter la machine selon les indications décrites dans le paragraphe «EXTINCTION DU GÉNÉRATEUR», arrêter l'alimentation électrique en débranchant la fiche de la prise électrique et attendre que le générateur refroidisse.

PANNE OBSERVÉE	CAUSE POSSIBLE	SOLUTION
L'appareil se bloque avec une flamme. Bouton RESET (D Fig. 5 o 6) allumé	<ol style="list-style-type: none"> <li>1. Circuit de la Photo-résistance en panne ou Photo-résistance encrassée de fumée</li> <li>2. Filtre à combustible sale</li> <li>3. Circuit de la carte de contrôle de la flamme en panne</li> <li>4. Disque flamme ou conduit (Fig. 12, 13, 14) sales</li> </ol>	<ol style="list-style-type: none"> <li>1. Nettoyer la Photo-résistance ou la remplacer</li> <li>2. Démontez le filtre et le nettoyer</li> <li>3. Démontez le déflecteur antérieur et nettoyez l'intérieur de la chambre de combustion</li> <li>4. Les démonter et les nettoyer</li> </ol>
L'appareil se bloque et crache du combustible sans flamme. Bouton RESET (D Fig. 5 o 6) allumé	<ol style="list-style-type: none"> <li>1. Installation électrique non conforme</li> <li>2. Transformateur d'allumage (M Fig. 6) interrompu</li> <li>3. Les câbles du transformateur d'allumage sont à la masse</li> <li>4. Les électrodes ne sont pas à la bonne distance</li> <li>5. Les électrodes sont à la masse parce qu'elles sont sales ou parce que l'isolant est abîmé</li> </ol>	<ol style="list-style-type: none"> <li>1. Vérifier tout le circuit</li> <li>2. Le remplacer</li> <li>3. Les remplacer</li> <li>4. Les remettre dans la position recommandée (Fig. 14)</li> <li>5. Les nettoyer ou, si nécessaire, les remplacer</li> </ol>
L'appareil ne crache pas de combustible et se bloque. Bouton RESET (D Fig. 5 o 6) allumé	<ol style="list-style-type: none"> <li>1. La photorésistance détecte une source de lumière intense</li> <li>2. Il manque une phase au Moteur</li> <li>3. Le gas-oil n'arrive pas à la pompe</li> <li>4. Il manque du gas-oil dans le réservoir</li> <li>5. Injecteur bouché</li> </ol>	<ol style="list-style-type: none"> <li>1. Placez la machine en évitant la source de lumière sur le déflecteur antérieur</li> <li>2. Contrôler l'installation électrique</li> <li>3. Contrôler les tubes d'arrivée du gas-oil (D Fig. 3)</li> <li>4. Effectuer le ravitaillement</li> <li>5. Le nettoyer ou le remplacer</li> </ol>
Brûleur bloqué	<ol style="list-style-type: none"> <li>1. Dispositif de contrôle (Thermostat ou Minuterie) ouvert</li> <li>2. Photo-résistance (T Fig. 6) en court-circuit</li> <li>3. La tension manque à cause de l'interrupteur débranché, de l'interrupteur du compteur ayant sauté ou d'un manque de tension dans la ligne électrique</li> <li>4. L'installation du dispositif de contrôle (Thermostat ou Minuterie) n'est pas correcte</li> <li>5. Panne interne à l'appareillage de contrôle de la flamme</li> <li>6. Fusible brûlé à l'intérieur du coffre</li> </ol>	<ol style="list-style-type: none"> <li>1. En augmenter la valeur ou contrôler les temps de la Minuterie</li> <li>2. La remplacer</li> <li>3. Fermer l'installation électrique et fermer successivement les interrupteurs ou attendre le retour de la tension</li> <li>4. Contrôler l'installation selon la description du «CONNECTUNG DU THERMOSTAT D'AMBIANCE»</li> <li>5. La remplacer</li> <li>6. Ouvrez le coffre du brûleur (F Fig. 5) et remplacez-le</li> </ol>
Flamme faible avec une mauvaise odeur, une fumée noire et des flammes qui sortent du déflecteur antérieur	<ol style="list-style-type: none"> <li>1. Basse pression de pulvérisation</li> <li>2. Air pour la combustion insuffisant</li> <li>3. Injecteur bouché car sale ou abîmé</li> <li>4. Eau dans le combustible. Carburant de mauvaise qualité</li> <li>5. Le combustible est en train de finir</li> </ol>	<ol style="list-style-type: none"> <li>1. La remettre à la valeur prévue</li> <li>2. Augmenter l'air pour la combustion</li> <li>3. Nettoyer l'injecteur ou le changer</li> <li>4. Vidanger le combustible à partir du bouchon prévu à cet effet (M Fig. 4)</li> <li>5. Effectuer le ravitaillement en combustible</li> </ol>

## INDEX

1. PRODUKTSOMSCHRIJVING
1. UITPAKKEN EN INPAKKEN
2. VEILIGHEIDSINFORMATIE
3. OMSCHRIJVING VAN DE DEVEEZEN VAN HET APPARAAT
4. BRANDSTOF
4. HOE HET APPARAAT WERKT
4. IN WERKINGSTELLING
4. VEILIGHEIDSNORMEN
4. TRANSPORT EN VERPLAATSING
5. PREVENTIEVE ONDERHOUDSAANWIJZINGEN
6. ACCESSOIRES
7. HERKENNING VAN DE MANKEMENTEN

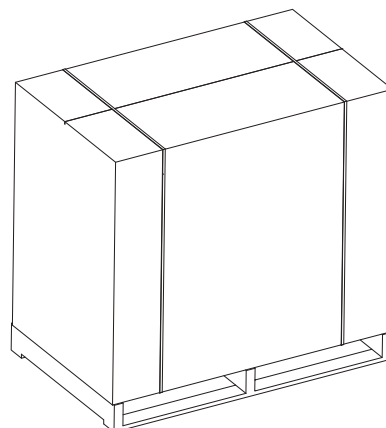
## PRODUKTSOMSCHRIJVING

De XL 9 is een stralingswarmtegenerator. Stralingswarmte-technologie volgt hetzelfde wetenschappelijke principe als verwarming door middel van zonlicht. De zon verwarmt niet door middel van warme lucht, maar door middel van stralingsgolven. Dankzij de vele voordelen van deze technologie, heeft het stralingswarmtesysteem al een grote professionele clientele verworven. De XL 9, die ontworpen is volgens dit principe, is onontbeerlijk daar waar men een homogene en uniforme warmtebron behoeft, en is geschikt voor zowel verwarmen, ontdooien als drogen. Dankzij de geruisloosheid van het apparaat is het mogelijk om in de nabijheid van ingeschakelde apparaat te werken zonder de overlast die andere verwarmingssystemen doorgaans geven. De warmtegenerator beschikt over rubberen wielen zodat hij makkelijk van de ene naar de andere ruimte kan worden verplaatst. Bovendien kan het apparaat makkelijk opgetild worden en op verschillende hoogtes geplaatst worden met behulp van de speciale beugels. De grote autonomie van het apparaat, alsmede de mogelijkheid de verwarming door middel van een thermostaat voor te programmeren, bieden de gebruiker veel vrijheid en mogelijkheden. Een externe brandstofniveauidicator toont snel en gemakkelijk hoeveel brandstof aanwezig is in de tank en of er bijgevoerd dient te worden. De versie SR biedt de mogelijkheid om het apparaat op twee potenties te laten functioneren, waardoor het apparaat optimaal benut kan worden in verschillende situaties en in alle seizoenen van het jaar.

## UITPAKKEN EN INPAKKEN

### UITPAKKEN

- Verwijder de verpakkingsbanden (Fig. 1).
- Maak de verpakking aan de bovenzijde open.
- Verwijder het karton van boven af.
- Verwijder de banden waarmee de generator op de pallet gebonden is (Fig. 2).
- Til de verwarming voorzichtig van de pallet.
- Gooi het verpakkingsmateriaal weg met inachtneming van de vuilverwerkingsnormen van het land waarin u zich bevindt.
- Controleer het apparaat op eventuele schade opgelopen tijdens het transport. Indien het apparaat gebreken vertoont, dient u zich te wenden tot de verkoper.



Figuur 1 - Verpakking

### INPAKKEN EN OPSLAG

In het geval het apparaat opgeslagen dient te worden of indien het grote gebreken heeft opgelopen tijdens het transport, of anderszins gerepareerd moet worden, dient u:

- Te controleren of het apparaat gebreken vertoont, en met name of het geen brandstof verliest. In dat geval dient de brandstoftank geleegd te worden.
- Plaats de generator op de verpakkingspallet of op een plateau geschikt voor het transport voor de teruggave (euro-pallet van het type EPA).
- Fixeer de generator op de juiste manier op de pallet (Fig. 2).
- Plaats, indien mogelijk, de kartonnen verpakking van bovenaf op de pallet en maak het goed vast (Fig. 1).
- Sla de verwarming op in een niet vochtige ruimte en plaats nooit meer dan twee apparaten op elkaar. Verzend de generator als in Fig. 1 of tenminste als in Fig. 2.

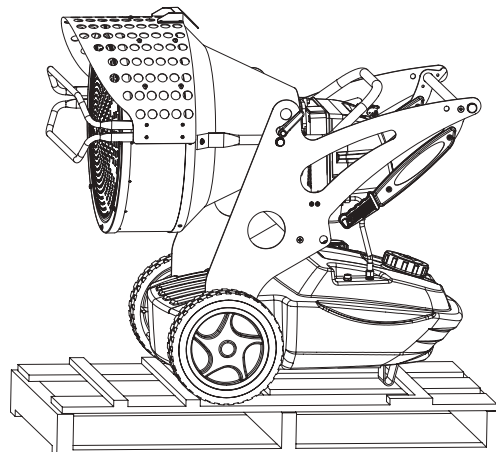



Figura 2 - Op pallet



## VEILIGHEIDSINFORMATIE

### WAARSCHUWINGEN

 **BELANGRIJK:** Dit luchtverwarmingstoestel is ontworpen voor mobiele en tijdelijke professionele toepassingen. Het is niet ontworpen voor huishoudelijk gebruik of om mensen warmtecomfort te bieden.

**BELANGRIJK:** Lees de hele bedieningshandleiding zorgvuldig voordat u begint met demontage, in gebruikname of onderhoud van deze verw warmer. Het gebruik van de verw warmer kan ernstig of dodelijk letsel veroorzaken ten gevolge van verbranding, vuur, explosie, elektrische schokken of koolmonoxidevergiftiging.

**GEVAAR:** Koolmonoxidevergiftiging kan dodelijk zijn.

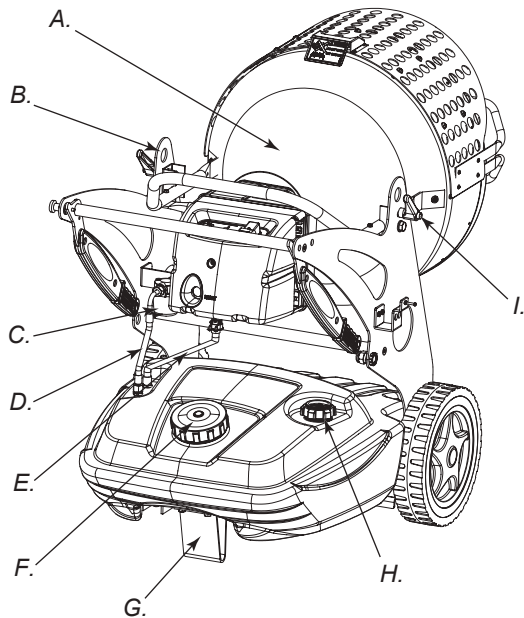
**Koolmonoxidevergiftiging** - De eerste symptomen van koolmonoxidevergiftiging lijken op die van griep: hoofdpijn, duizeligheid en/of misselijkheid. Dergelijke symptomen kunnen worden veroorzaakt door een gebrekkige werking van de verw warmer. **Begeef u onmiddellijk in de buitenlucht.** Laat de verw warmer gerepareerd worden. Bepaalde personen hebben extra te lijden van de effecten van koolmonoxidevergiftiging: zwangere vrouwen, hart- en longpatiënten, personen met bloedarmoede, personen onder invloed van alcohol en bewoners van hooggelegen gebieden. Zorg ervoor dat u alle waarschuwingen gelezen en begrepen hebt.

Bewaar deze handleiding om deze in de toekomst opnieuw te kunnen raadplegen: deze dient als gids voor een veilig en correct gebruik van de verw warmer.

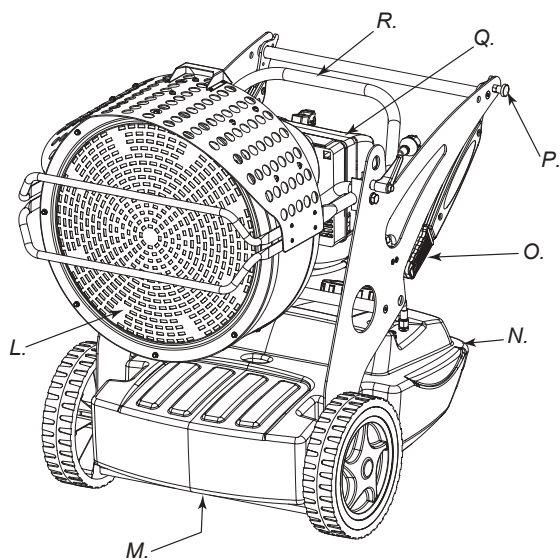
- Gebruik uitsluitend eersteklas brandolie om brand- en explosiegevaar te vermijden. Gebruik nooit benzine, stookolie, verpopsmiddelen, alcohol of andere makkelijk ontvlambare brandstoffen.
- Bijvullen:
  - a) Het personeel belast met het bijvullen dient gekwalificeerd te zijn en volledig vertrouwd te zijn met de instructies van de fabrikant en de geldende normen met betrekking tot het veilig bijvullen van verw warmers.
  - b) Gebruik uitsluitend het type brandstof dat specifiek is vermeld op het identificatieplaatje van de verw warmer.
  - c) Doof voor het bijvullen eerst alle vlammen, inclusief de waakvlam, en wacht tot de verw warmer is afgekoeld.
  - d) Inspecteer tijdens het bijvullen alle brandstofleidingen en fittingen op eventuele lekken. Eventuele lekken dienen te worden gerepareerd voordat de verw warmer opnieuw in gebruik wordt genomen.
  - e) In geen enkel geval mag men in de buurt van de verw warmer in hetzelfde gebouw meer brandstof opslaan dan nodig is om de verw warmer een dag te laten werken. De brandstofreservoirs moeten zich in een afzonderlijke accommodatie bevinden.
  - f) Alle brandstoftanks moeten zich minimaal op een afstand van verw warmers, lasbranders, soldeerapparatuur en soortgelijke ontstekingsbronnen (met uitzondering van de brandstoftank die in de verw warmer is ingebouwd).

- g) De brandstof dient zo mogelijk te worden opgeslagen in ruimten met vloerbedekking die het niet mogelijk maakt dat de brandstof vlammen bereikt waardoor deze in brand kan vliegen.
- h) Bij de opslag van brandstof dienen de geldende normen in acht te worden gehouden.
  - Gebruik de verw warmer nooit in ruimten waar benzine, verpopsmiddelen of andere zeer ontvlambare dampen aanwezig zijn.
  - Neem tijdens het gebruik van de verw warmer alle plaatselijke verordeningen en geldende normen in acht.
  - Verwarmers die in de buurt van textiel, gordijnen of ander vergelijkbaar materiaal worden gebruikt dienen op een veilige afstand daarvan te worden geplaatst. Voor de minimale veiligheids afstand gelden de landelijke regels. Bovendien wordt het gebruik van vuurvast afdekkingsmateriaal aanbevolen. Dergelijk materiaal dient stevig te worden vastgezet, om te vermijden dat dit vlam vat en om te voorkomen dat de wind vat krijgt op de verw warmer.
  - Gebruik het toestel uitsluitend om ruimten waarin geen ontvlambare dampen of hoge concentraties stof aanwezig zijn.
  - Sluit de verw warmer uitsluitend aan op een voedingsbron met de spanning, frequentie en polariteit die zijn aangegeven op het identificatieplaatje.
  - Gebruik uitsluitend geaarde driedraads verlengsnoeren.
  - De minimale veiligheids afstand is de afstand die wordt vereist door de huidige overheidsregels in uw land.
  - Houd de verw warmer bij verplaatsing of opslag rechtop, om te voorkomen dat er brandstof uit loopt.
  - Houd kinderen en dieren uit de buurt van de verw warmer.
  - Koppel de verw warmer los van de netvoeding wanneer deze niet wordt gebruikt.
  - Als de verw warmer op een thermostaat werkt, kan deze op elk willekeurig moment aanslaan.
  - Gebruik de verw warmer nooit in drukke ruimten of slaapkamers.
  - Belemmer nooit de ingaande en uitgaande luchtopeningen.
  - Blokkeer nooit de luchtinlaat (achterkant) of de luchtuitlaat (voorkant) van de verw warmer.
  - Bij de eerste keer ontsteken van de heater zal wat rook ontstaan. Dit komt door de verbranding van anti corrosie olie die aanwezig is in de verbrandingskamer en op de oppervlakte van de brander. Na enkele minuten zal het roken stoppen.
  - Dit apparaat mag slechts gebruikt worden bij een omgevingstemperatuur tussen -30°C +40°C.

## OMSCHRIJVING VAN DE DEVIEZEN VAN HET APPARAAT

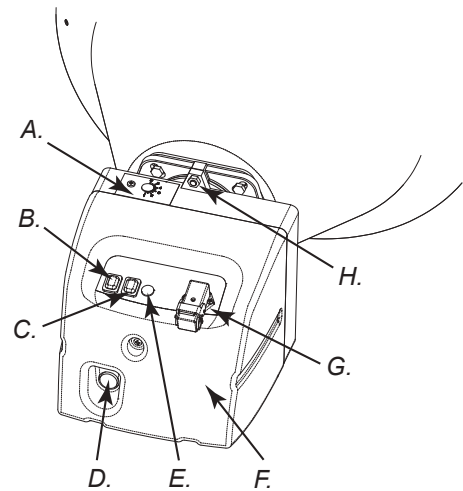


**Figuur 3**

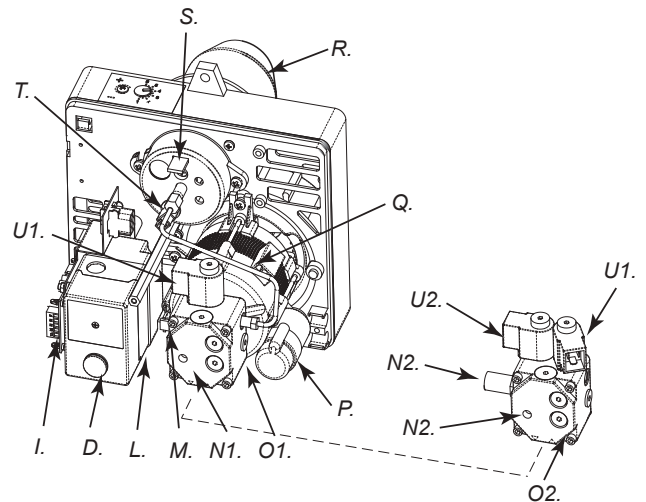


**Figuur 4**

**A.** Verbrandingskamer, **B.** Gat voor het optillen van het apparaat, **C.** Brandstoffilter of voorverwarmingsfilter (optional), **D.** Brandstoftoevoerregelaar, **E.** Brandstofterugvloeieregelaar, **F.** Dop brandstoftank, **G.** Zwenkwiel (optional), **H.** Niveauidicator brandstof, **I.** Schroef blokkering brandstof, **L.** Ventilatieruitje, **M.** Leegloopstop brandstoftank, **N.** Brandstoftank, **O.** Transporthendels, **P.** Blokkeringsspil handvat, **Q.** Verbrander, **R.** Roteringsknop voor de verbrandingskamer



**Figuur 5 - Knoppen**



**Figuur 6 - Componenten verbrander**

**A.** Luchtregelaar, **B.** AAN/UITknop, **C.** AAN/UITknop voor de tweede potentie (XL 9SR), **D.** RESETknop, **E.** Spanningsindicator, **F.** Kap verbrander, **G.** Stekker thermostaat, **H.** Schroef op verbrander vast te zetten, **I.** Apparatuur voor ventilatie, **L.** Apparatuur voor vlamcontrole, **M.** Transformator, **N1.** (XL 9ER) drukregulator voor de pomp, **N2.** (XL 9SR) drukregulator voor de pomp, **O1.** Brandstofpomp (XL 9ER), **O2.** Brandstofpomp (XL 9SR), **P.** Condensator, **Q.** Motor, **R.** Trechter verbrander, **S.** Brandstofregulator, **T.** Fotoresistentie, **U1.** Elektroventiel 1 stadium van de vlam (XL 9ER-SR), **U2.** Elektroventiel 2 stadium van de vlam (XL 9SR)

## BRANDSTOF

**OPGELET: De generator functioneert ENKEL op kerosine of stookolie.**

Het gebruik van onzuivere brandstof kan veroorzaken:

- Verstopping van het brandstoffilter en de brandstofleiding.
- Formatie van koolneerslag op de elektroden.

Bij lage temperaturen dient een niet-giftige antivriesvloeistof gebruikt te worden.

## HOE HET APPARAAT WERKT

In de verbrander bevindt zich een draaiende ventilator die de lucht aantrekt die nodig is voor een correcte verbranding. De luchttoevoer komt uit de trechter van de verbranding en vermengt zich met de brandstof die onder hoge druk verpulverd wordt door een leiding. De verpulvering van de brandstof door de leiding is verzekerd door een draaiende pomp die de brandstof aanzuigt uit de tank en onder hoge druk naar de leiding stuurt voor de verpulvering.

## IN WERKINGSTELLING

**WAARSCHUWING: Alvorens de generator in werking te stellen, en, dus, alvorens de stekker in het stopcontact te steken, dient men te controleren of de netspanning overeenkomt met die op het identificatieplaatje van de generator.**

### INSCHAKELING VAN DE GENERATOR

1. Volg alle veiligheidsinstructies op.
2. Vul de tank met brandstof.
3. Sluit de tank met de dop.
4. Steek de stekker in een geaard stopcontact dat dezelfde netspanning heeft als aangegeven op het identificatieplaatje op het apparaat.

### INSCHAKELING ZONDER DE THERMOSTAAT


#### • XL 9ER

Zet de knop (B Fig. 5) op ON (I). Zo wordt de voorventilatie in werking gesteld en na ongeveer 10 seconden begint de verbranding.

#### • XL 9SR

**WAARSCHUWING: alvorens de generator aan te zetten dient de knop (C Fig. 5) op  te staan.**

Zet de knop (B Fig. 5) op ON. Zo wordt de voorventilatie in werking gesteld en na ongeveer 10 seconden begint de verbranding.

Om de maximale potentie te benutten dient de knop (C Fig. 5) op  gezet te worden.

### INSCHAKELING MET DE THERMOSTAAT

Reguleer de thermostaat of de tussenschakelaar (zoals bijvoorbeeld een timer), indien toegepast, zodat het apparaat aan gaat.

**OPGELET: De generator kan automatisch werken ENKEL wanneer er een tussenschakelaar, zoals bijvoorbeeld een thermostaat of een timer, is aangesloten. Om een tussenschakelaar aan het apparaat aan te sluiten, raadpleeg de paragraaf "ELEKTRISCH SCHEMA".**

Bij de eerste inwerkingzetting of na de complete lediging van het brandstofcircuit, kan de toevoer van brandstof in de leiding onvoldoende zijn, waardoor het veiligheidsdevies dat de vlam controleert de generator uitzet (Zie hierover de paragraaf "VEILIGHEIDSNORMEN"). In dit geval, nadat u ongeveer een minuut gewacht heeft, dient u de RESETknop (D Fig. 5 en 6) in te drukken en het apparaat opnieuw aan te zetten.

In het geval het apparaat het niet doet, dient u eerst de volgende zaken te doen:

1. Controleren of er nog brandstof in de tank (N Fig. 4) zit.
2. De RESETknop indrukken (D Fig. 5 en 6).

In het geval het apparaat het nog niet doet, dient u de paragraaf "HERKENNING VAN MANKEMENTEN" raad te plegen om de oorzaak van het probleem te vinden.

**OPGELET: Voor de tweede inwerkingstelling (waarvoor de generator uit en voldoende afgekoeld dient te zijn) dient u zich ervan te vergewissen dat de schroeven van het ventilatieruitje aan de voorkant goed vastzitten (L Fig. 4).**

**WAARSCHUWING: De elektriciteitskabel van de generator dient geaard te zijn en voorzien te zijn van een gedifferentieerde magnetisch-thermische schakelaar. De stekker mag alleen gestoken worden in een gesegmenteerd stopcontact.**

### UITZETTEN VAN DE GENERATOR

Zet de knop (B Fig. 5) op OFF (O) of schakel, indien van toepassing, de thermostaat of tussenschakelaar (timer) uit. Daarop zal de vlam uitgaan en de ventilator nog doorwerken totdat het apparaat is afgekoeld.

**WAARSCHUWING: Alvorens de stekker uit het stopcontact te trekken, dient de naventilatiecyclus volledig afgewerkt te zijn (de afkoeling duurt ongeveer 3 minuten).**

## VEILIGHEIDSNORMEN

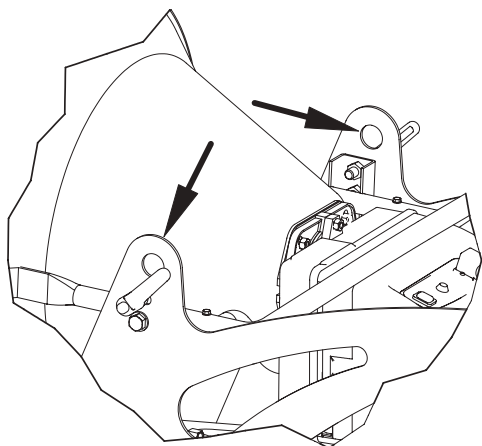
De generator is voorzien van veiligheidsapparatuur (L Fig. 6) om de vlam te controleren. Als zich een of meer ongeregelde heden voordoen tijdens het gebruik, blokkeert die apparatuur de verbrander en gaat het controlelampje van de RESETknop branden (D Fig. 5 en 6). De generator is ook voorzien van naventilatieapparatuur die een optimale en automatische afkoeling van de verbrandingskamer regelt gedurende ongeveer 3 minuten. Alvorens de generator opnieuw aan te zetten, dient de oorzaak van de blokkering weggenomen te worden.

## TRANSPORT EN VERPLAATSING

**WAARSCHUWING: Alvorens het apparaat op te tillen of te verplaatsen dient men zich ervan te vergewissen dat de doppen van de tank (F en H Fig. 3) goed gesloten zijn.**

### TRANSPORT

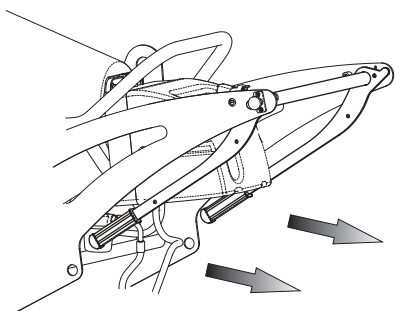
De generator kan gemakkelijk van de ene naar de andere ruimte verplaatst worden, alsook opgetild en op verschillende hoogtes geplaatst worden met behulp van de speciale beugels (B Fig. 3 of 7). Het is aldus mogelijk om het apparaat vast te zetten en daar te plaatsen waar het nodig is om te verwarmen, ontdooien en drogen.



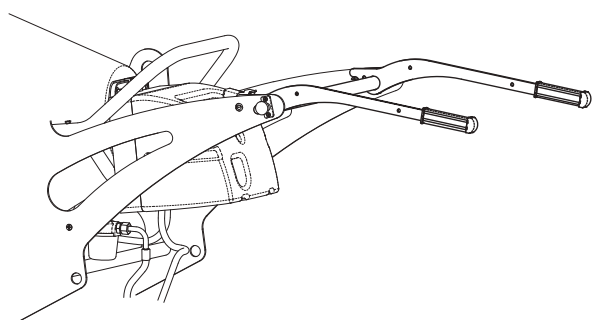
Figuur 7 - Bevestigingsbeugels

### VERPLAATSING

De generator kan voorzien worden van een zwenkwiel (G Fig. 3). In dat geval, als de ondergrond dat toelaat, kan de generator als een kar geduwd worden. In het geval het apparaat niet over een zwenkwiel beschikt, dient de spil aan een van de zijkanten (P Fig. 4) vastgezet te worden. Druk de handvatten naar beneden en uit de ruststand (Fig. 8). Draai nu de handvatten in de verplaatspositie (Fig. 9). Kantel de generator en verplaats hem op de achterwielen.



Figuur 8 - Positie gesloten handvatten



Figuur 9 - Positie open handvatten

**WAARSCHUWING:** Alvorens het apparaat te verplaatsen dient het uitgezet te worden volgens de richtlijnen zoals omschreven in de paragraaf "UITZETTEN VAN DE GENERATOR". Vervolgens moet de stekker uit het stopcontact getrokken worden en gewacht worden tot de generator volledig afgekoeld is.

## ONDERHOUDSAANWIJZINGEN

**WAARSCHUWING:** Alvorens over te gaan tot een onderhoudsbeurt dient het apparaat uitgeschakeld te worden volgens de richtlijnen zoals beschreven in de paragraaf "UITZETTEN VAN DE GENERATOR". Vervolgens moet de stekker uit het stopcontact getrokken worden en gewacht worden tot de generator volledig afgekoeld is.

De instructies in deze paragraaf, die gaan over de onderhoudsbeurten, betreffen de schoonmaak van de brandstof en het type gebruikruimte van de generator. De tijdschema's die hieronder zijn gegeven gaan ervan uit dat het apparaat gebruikt wordt in goed geventileerde, niet stoffige ruimtes.

Na iedere 50 gebruiksuren dient men:

- De filterhouder te verwijderen en schoon te maken (zie "SCHOONMAKEN VAN DE BRANDSTOFFILTER").

Na iedere 200 gebruiksuren dient men:

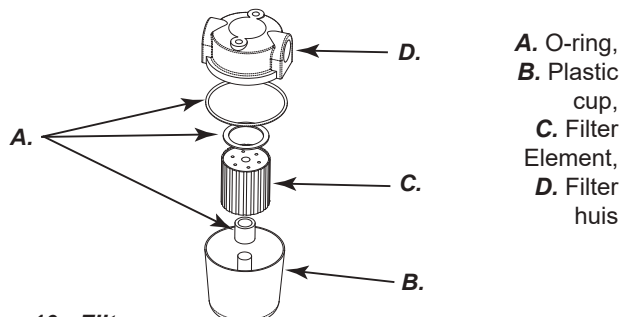
- De filter van de pomp te verwijderen en goed schoon te maken (zie "SCHOONMAKEN VAN FILTERPOMP").

Na iedere 300 gebruiksuren dient men:

- De verbrander verwijderen en de binnenkant van de trechter, de vlammschijf en de elektroden schoon te maken. Indien nodig moet de afstand opnieuw ingesteld worden. (zie "SCHOONMAKEN VAN DE VERBRANDER").

### SCHOONMAAK VAN HET BRANDSTOFFILTER

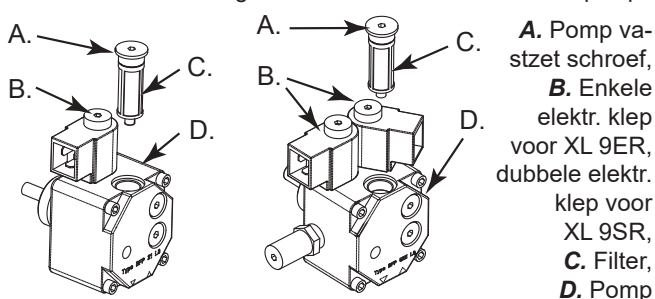
- Schroef de plastic beker los en haal het filterelement (cartouche) eruit.
- Maak het goed schoon met kerosine.
- Plaats het filterelement terug en schroef de plastic beker op het brandstoffilter.



Figuur 10 - Filter

### SCHOONMAAK VAN DE FILTERPOMP

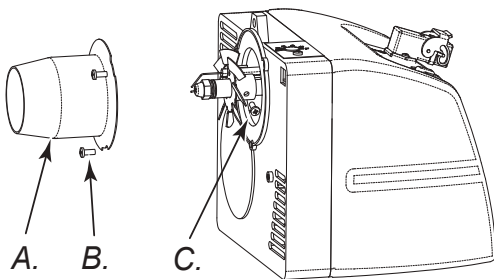
- Verwijder de kap van de verbrander (F Fig. 5) en vind de pomp van de verbrander (O Fig. 6).
- Schroef met de daartoe dienende sleutel de basis (A Fig. 11) los die het filter op zijn plaats houdt.
- Neem het filter (C Fig. 11) uit zijn houder.
- Maak hem goed schoon met kerosine.
- Plaats het filter weer terug en schroef hem weer vast aan de pomp.



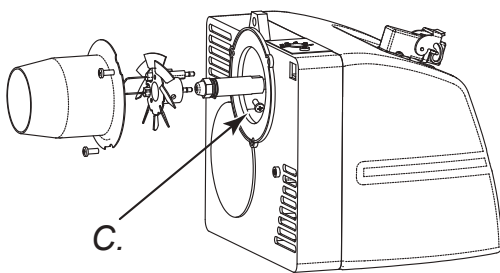
Figuur 11 - Pomp verbrander

**SCHOONMAAK VAN DE VERBRANDER**

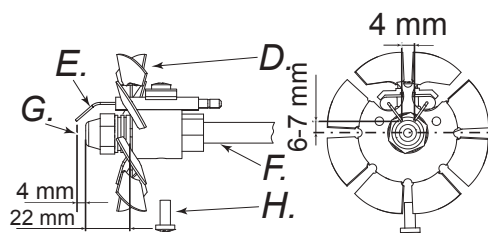
- Schroef de schroef (H Fig. 5) los die de verbrander fixeert aan de verbrandingskamer (A Fig. 3).
- Haal de verbrander uit de verbrandingskamer (zie Fig. 3).
- Schroef de drie schroeven (B Fig. 12) los die de trechter van de verbrander fixeren (A Fig. 12).
- Draai de trechter met de klok mee vanaf de verbrander gezien en maak hem los.
- Schroef de schroef (C Fig. 13) los die de vlammschotel en de elektroden fixeert en haal ze uit de leidinghouder (F Fig. 14).
- Maak de vlammschotel (D Fig. 14) en de elektroden (E Fig. 14) schoon.
- Schroef de leiding (G Fig. 14) van de leidinghouder (F Fig. 14). Maak schoon, of indien nodig, vervang.
- Plaats de leiding (G Fig. 14) terug.
- Plaats de vlammschotel en elektroden terug waarbij de afstanden zoals afgebeeld (zie Fig. 14) in acht genomen moeten worden.



**Figuur 12 - Ontmanteling trechter-verbrander**

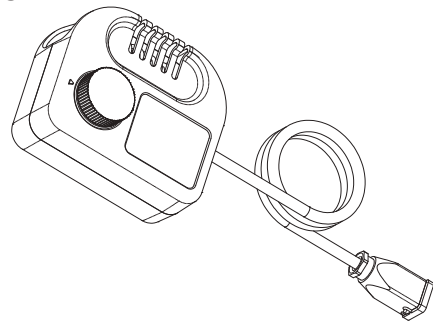
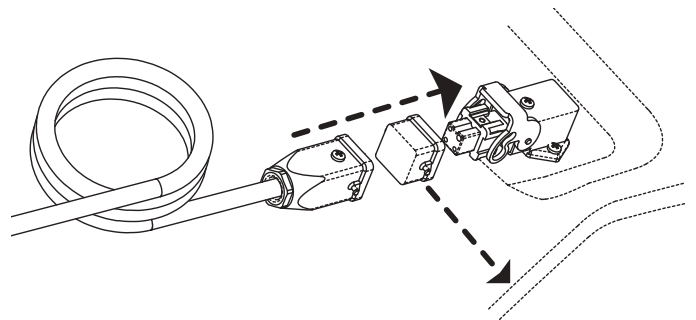


**Figuur 13 - Ontmanteling vlammschotel-elektroden**

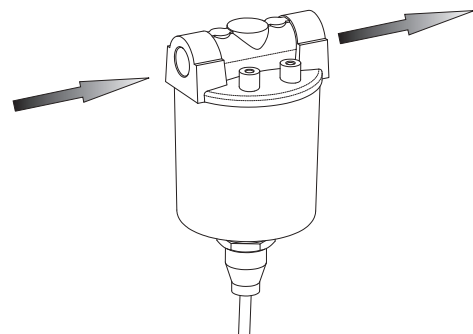
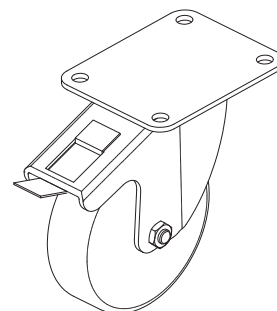


**Figuur 14 - Afstanden elektroden leiding**

**A.** Branderpijp, **B.** Branderpijp vastzet schroef, **C.** Schroef Vlammschote, **D.** Vlammschotel, **E.** Elektroden, **F.** Leidingdrager, **G.** Leiding, **H.** Schroef

**ACCESSOIRES  
THERMOSTAAT****AANSLUITING VAN DE THERMOSTAAT**

**WAARSCHUWINGEN:** Alvorens het controledevies aan te sluiten dient men: het apparaat uit te schakelen volgens de aanwijzingen gegeven in de paragraaf "UITZETTEN VAN DE GENERATOR"; de stekker uit het stopcontact te trekken en te wachten tot het apparaat volledig is afgekoeld.

**FILTER VOORVERWARMING BRANDSTOF****DRAAIENDE WIEL MET REMMEN**

## HERKENNING VAN DE MANKEMENTEN

**WAARSCHUWING:** Alvorens tot welke onderhoudsbeurt dan ook over te gaan dient men: het apparaat uit te zetten volgens de richtlijnen zoals beschreven in de paragraaf "UITZETTEN VAN HET APPARAAT"; de stekker uit het stopcontact te trekken en te wachten tot de generator volledig afgekoeld is.

MANKEMENT	MOGELIJKE OORZAAK	OPLOSSING
Het apparaat blokkeert met de vlam aan. RESET knop (D Fig. 5 of D Fig. 6) is aan	<ol style="list-style-type: none"> <li>1. Fotoresistentiecircuit kapot of fotoresistentie vervuild door rook</li> <li>2. Brandstoffilter vuil</li> <li>3. Circuit van de vlamcontroleapparatuur kapot</li> <li>4. Vlammschotel of trechter vuil (Fig. 12, 13 en 14)</li> </ol>	<ol style="list-style-type: none"> <li>1. Fotoresistentie schoonmaken of vervangen</li> <li>2. Filter verwijderen en schoonmaken</li> <li>3. Vlamcontroleapparatuur vervangen</li> <li>4. Schoonmaken</li> </ol>
Het apparaat blokkeert terwijl het brandstof spuit zonder dat er een vlam is. RESET knop (D Fig. 5 of D Fig. 6) is aan	<ol style="list-style-type: none"> <li>1. Elektrische installatie is niet conform het apparaat</li> <li>2. Transformator (M Fig. 6) kapot</li> <li>3. De snoertjes van de transformator ontladen in de aarde</li> <li>4. De punten van de elektroden zijn niet op de juiste afstand geplaatst</li> <li>5. De elektroden ontladen in de aarde omdat ze vuil zijn of omdat het isolatiemateriaal defect is</li> </ol>	<ol style="list-style-type: none"> <li>1. Controleer de gehele elektrische installatie</li> <li>2. Vervangen</li> <li>3. Vervangen</li> <li>4. Plaats ze in de aangegeven positie (zie Fig. 14)</li> <li>5. Schoonmaken of indien nodig vervangen</li> </ol>
Het apparaat blokkeert zonder brandstof te spuiten. RESET knop (D Fig. 5 of D Fig. 6) is aan	<ol style="list-style-type: none"> <li>1. Fotoresistentie ziet een intense lichtbron</li> <li>2. Er ontbreekt een fase aan de motor</li> <li>3. Brandstof bereikt de pomp niet</li> <li>4. Er ontbreekt brandstof in de tank</li> <li>5. Leiding geblokkeerd</li> </ol>	<ol style="list-style-type: none"> <li>1. Plaats het apparaat zodanig dat de lichtbron niet op het ventilatieruitje aan de voorkant schijnt</li> <li>2. Controleer de stroomtoevoer</li> <li>3. Controleer de toevoerslang (D Fig. 3)</li> <li>4. Voeg brandstof toe</li> <li>5. Verwijderen en schoonmaken. Indien nodig vervangen</li> </ol>
Verbrander treedt niet in werking	<ol style="list-style-type: none"> <li>1. Controledevies (thermostaat of timer)</li> <li>2. Fotoresistentie (T Fig. 6) kortgesloten</li> <li>3. De spanning voor de algemene AAN/UITknop ontbreekt, er is een stop gesprongen, of er ontbreekt spanning op het lichtnet</li> <li>4. Het controledevies (thermostaat of timer) is verkeerd geïnstalleerd</li> <li>5. Intern defect van de vlammencontroleapparatuur</li> <li>6. Zekering doorgebrand</li> </ol>	<ol style="list-style-type: none"> <li>1. Stel het controledevies in</li> <li>2. Vervang de fotoresistentie</li> <li>3. Doe de knoppen uit of wacht tot er weer stroom is</li> <li>4. Controleer de installatie volgens de beschrijving in paragraaf "AANSLUITING VAN DE THERMOSTAAT"</li> <li>5. Vervang</li> <li>6. Open de kap (F Fig. 5) en vervang de zekering</li> </ol>
Zwakke, stinkende vlam, zwarte rook en vlammen die uit het ventilatieruitje aan de voorkant slaan	<ol style="list-style-type: none"> <li>1. Lage verpulveringsdruk</li> <li>2. Onvoldoende luchttoevoer</li> <li>3. Leiding verstopt omdat hij vies of vergaan is</li> <li>4. Water in de brandstof. Brandstof van slechte kwaliteit</li> <li>5. De tank is bijna door de brandstof heen</li> </ol>	<ol style="list-style-type: none"> <li>1. Zet de regelaar op de aangegeven stand</li> <li>2. Vermeerder de luchttoevoer</li> <li>3. Maak schoon of vervang de leiding</li> <li>4. Verwijder de brandstof door draineerstop (M Fig. 4)</li> <li>5. Voeg brandstof toe</li> </ol>

## INDHOLDSFORTEGNELSE

1. PRODUKTINDLEDNING
1. UDPAKNING OG EMBALLAGE
2. INFORMATIONER VEDRØRENDE SIKKERHEDEN
3. PRODUKTIDENTIFIKATION
4. BRÆNDSTOF
4. FUNKTIONSPRINCIP
4. IGANGSÆTNING
4. SIKKERHEDSANORDNINGER
4. TRANSPORT OG HÅNDTERING
5. FOREBYGGENDE VEDLIGEHOLDELSE
6. Udstyr
7. FEJLFINDING

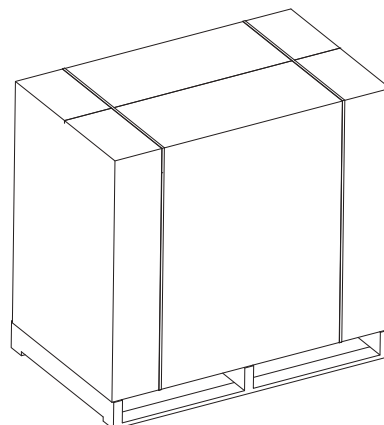
## PRODUKTINDLEDNING

XL 9 er en varmluft generator baseret på udstråling. Udstrålingsteknologien følger det samme princip, som styrer sollysets opvarmning. Solen opvarmer nemlig ikke legemerne med strømning af varmluft, men derimod med strålebølger. Udstrålingssystemet vinder stor succes hos de professionelle under, takket være de utallige fordele, som denne type teknologi tilbyder. XL 9 apparatet er projekteret på grundlaget af det ovennævnte fysiske princip, og er derfor en speciel varmegenerator, som er væsentlig hvis man ønsker en homogen og ensartet varmekilde, der er egnet til opvarmning, optøning og tørring. Den er desuden støjfri, og det tillader at arbejde med maskinen i gang uden derfor at skulle lide under det støj, som de andre varmeapparater normalt danner. Generatoren er udstyret med gummihjul, og kan nemt transporteres fra et rum til et andet; desuden, er det muligt at løfte og placere den på forskellige arbejds højder, ved hjælp af særlige løfteøjer. Operatøren kan regne med en udmærket anvendelsesfrihed takket være den store ydelsesautonomi og den automatiske funktion v.h.a. termostat. En udvendig indikator til kontrol af brændstofmængden i beholder tillader en hurtig tjek, for så eventuelt at fylde brændstof på. SR udgaven har to styrkeniveauer, og det tillader at udnytte maskinen bedre på forskellige anvendelsesområder og i de forskellige årstider.

## UDPAKNING OG EMBALLAGE

### UDPAKNING

- Fjern stropperne, der fastspændte apparatets emballage (Fig. 1).
- Åbn indpakningen fra den øverste side.
- Fjern kartonen fra oven.
- Fjern stropperne, der fastspænder generatoren til pallen (Fig. 2).
- Flyt forsigtigt varmeapparatet fra pallen.
- Bortskaf generatorens emballagemateriale ifølge de gældende regler efter det land, hvor apparatet anvendes.
- Kontroller maskinen for at se, om den har lidt skade under transporten. Hvis apparatet er beskadiget, henvis snarest muligt til forhandleren, hvor apparatet blev købt.

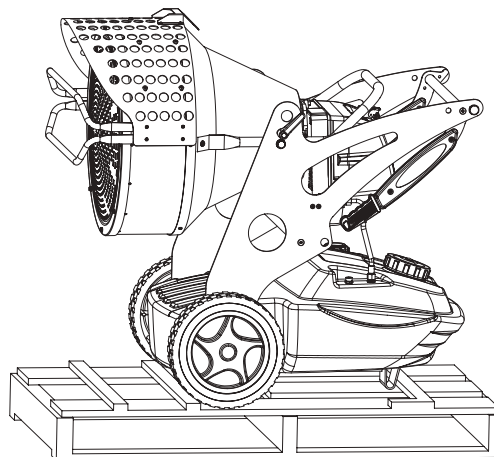


Figur 1 - Mballage

### EMBALLAGE OG OPBEVARING

Hvis generatoren skal opbevares, eller hvis det har lidt skade under transporten, og skal sendes tilbage til reparation, bør man:


- Kontrollere at maskinen ikke er beskadiget, og specielt at der ikke er lækager af brændstof. I dette tilfælde, tøm fuldstændigt beholderen for brændstof.
- Stil generatoren på den samme palle, hvor den blev pakket ud (opbevaring) eller på en passende palle til forsendelsen (europallet med EPA mærke).
- Fastspænd generatoren til pallen på sikker vis (Fig. 2).
- Placer, når det er muligt, emballagen i karton ovenfra på pallen og fastspænd den med passende materialer (Fig. 1).
- Opbevar maskinen på et egnet og tørt sted, og ophob ikke mere end to maskiner. Send generatoren som vist på Fig. 1, eller, i mindste fald, som på Fig. 2.



Figur 2 - På palle

## INFORMATIONER VEDRØRENDE SIKKERHEDEN

### ADVARSEL

 **VIGTIGT:** Denne luftvarmer er designet til mobile og midlertidige professionel anvendelse. Den er ikke designet til husholdningsbrug eller til termisk komfort for mennesker.

**VIGTIGT:** Læs instruktionsvejledningen grundigt og omhyggeligt, inden maskinen anvendes eller der udføres vedligeholdelse på generatoren. Forkert brug af generatoren kan medføre alvorlige skader, også med døden til følge, som følge af forbrændinger, brand, eksplosioner, elektrisk stød eller kvælning på grund af kulilte-dampe.

**FARE:** Iltmangel på grund af kulilte-dampe kan være dødeligt.

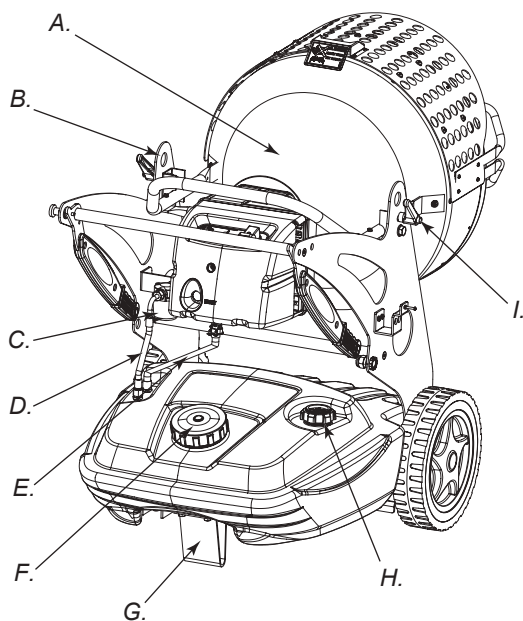
**Kvælning på grund af kulilte-dampe** - De første tegn på iltmangel som følge af indånding af kulilte-dampe ligner symptomerne på influenza, med hovedpine, svimmelhed og/eller kvalme. Disse symptomer kan være forårsaget af forkert drift af generatoren. **I så fald gå da straks ud i det fri.** Sørg for at få generatoren repareret. Sørg for at have læst og forstået alle advarsler. Opbevar denne vejledning for fremtidig konsultation: Vejledningen tjener som en hjælp til sikker og korrekt drift af generatoren.

- Anvend kun petroleum eller diesel for at undgå risiko for brand eller eksplosion. Der må aldrig anvendes benzin, nafta, opløsningsmidler, sprit eller andre letantændelige brændstoffer.
- Brændstofpåfyldning:
  - a) Personalet der udfører påfyldning af brændstof skal være kvalificeret og være fuldt fortrolig med producentens anvisninger og med de gældende regler for sikker brændstofpåfyldning af generatoren.
  - b) Anvend kun den type brændstof der udtrykkeligt er angivet på generatorens typeskilt.
  - c) Før brændstofpåfyldning, skal al åben ild slukkes, og vent til generatoren er kølet ned.
  - d) Under påfyldning af brændstof, skal alle brændstofledninger og deres forbindelser undersøges, for at opdage eventuelle lækager. Enhver lækage skal repareres, inden generatoren igen startes og anvendes.
  - e) Der må under ingen omstændigheder opbevares brændstof, i større mængder end hvad der svarer til at holde varmeapparatet i gang en hel dag, i samme bygning og i nærheden af varmeanlægget. Beholderne til opbevaring af brændstoffet skal opbevares i en anden bygning.
  - f) Alle beholdere til opbevaring af brændstof skal opbevares med en minimums sikkerhedsafstand (som ifølge gældende lovgivning) i forhold til varmeapparater, svejsebrændere, svejseudstyr og andre antændelseskilder (med undtagelse af brændstofbeholderen der er indbygget i generatoren).
  - g) Brændstoffet skal opbevares i rum, hvor gulvet ikke tillader gennemtrængning og drypning af brændstof på underliggende flammer der kan antænde brændstoffet.
  - h) Opbevaring af brændstof skal udføres i henhold til de gældende regler.

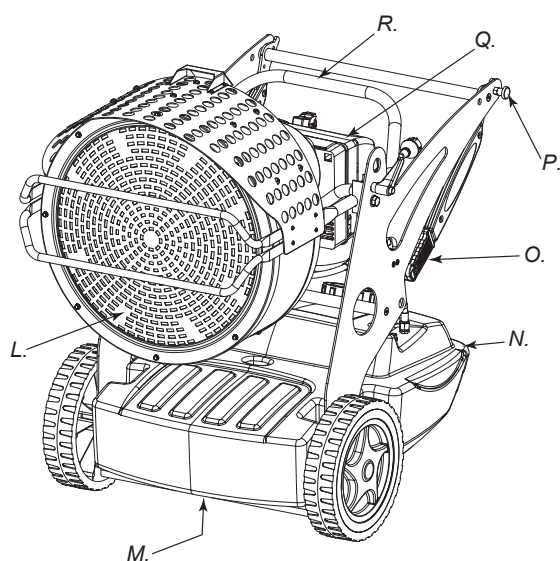
- Anvend aldrig generatoren i rum, hvor der er benzin, opløsningsmidler, let antændelige dampe eller høje støvkonzentrationer.
- Under brugen af varmeapparatet skal alle lokale vedtægter og gældende lovgivning følges.
- Varmeapparater, der anvendes i nærheden af presenninger, telte eller lignende afdækningsmaterialer skal placeres i sikker afstand fra disse. Den mindste sikkerhedsafstand der anbefales, er den der er gældende i loven i det land hvor apparatet anvendes. Det anbefales også at bruge brandsikre afdækningsmaterialer. Disse materialer skal være forsvarligt fastgjort for at undgå at fange ild og for at forhindre interferens med generatoren forårsaget af vinden.
- Må kun anvendes i godt ventilerede rum. Forbered derfor en åbning for luftindtag eller ordentlig udluftning, så der er sikret den mængde frisk luft udefra, i overensstemmelse med de gældende regler i det land hvor apparatet anvendes.
- Generatoren må kun køre med strøm der har den spænding og frekvens der er angivet på typeskiltet.
- Anvend kun forlængerledninger med korrekt jordforbindelse.
- Oprethold en minimums sikkerhedsafstand mellem varmeapparatet og brændbare materialer, i overensstemmelse med de gældende regler i det land hvor apparatet anvendes.
- Placer generatoren i drift, eller den varme generator på et fast, plant underlag, for at undgå risikoen for brand.
- Når generatoren flyttes eller opmagasineres, skal den holdes vandret, for at forhindre udslip af brændstof.
- Hold børn og dyr væk fra generatoren.
- Tag generatoren fra lysnettet, når den ikke er i brug.
- Når apparatet er styret af en kontrolenhed (termostat), kan varmeapparatet tænde til enhver tid.
- Anvend aldrig generatoren i rum der ofte er beboet.
- Blokere aldrig gitrene ved indtag for eller udledning af luft.
- Varmeapparatet må aldrig flyttes, håndteres, eller udsættes for brændstofpåfyldning eller vedligeholdelse, når det er varmt, tilsluttet elektricitetsnettet eller i drift.
- Forbrændingsrøgen, der forekommer under den første forbrændingsperiode, skyldes fordampning af organisk materiale (keramik) fra forbrændingskammeret og antikorrosionsolie på overfladen af brænderens dele. Efter nogle minutter vil røgen forsvinde.
- Anvend maskinen indenfor et temperaturinterval på mellem -30°C og +40°C.



## PRODUKTIDENTIFIKATION

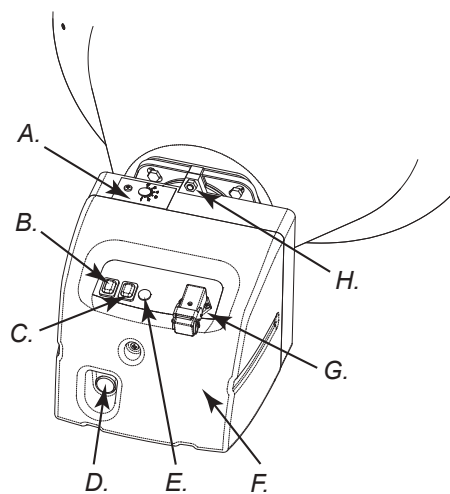


Figur 3

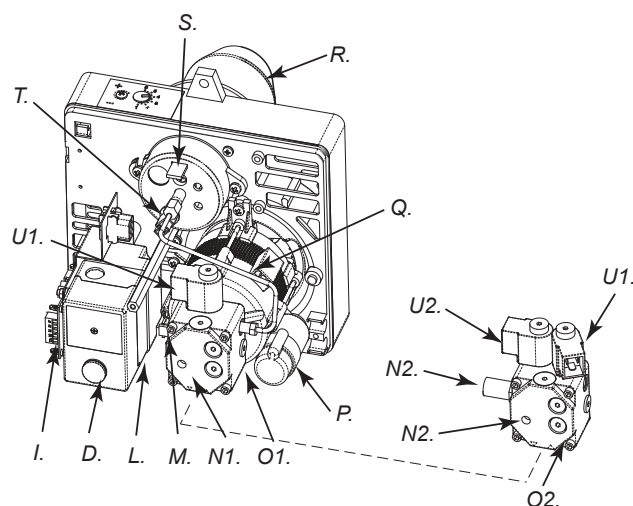


Figur 4

**A.** Forbrændingskammer, **B.** Hul til løftning af apparat, **C.** Brændstoffilter eller forvarmningsfilter (ekstraudstyr), **D.** Brændstof trykside, **E.** Brændstof tilbagestrømning **F.** Prop til brændstoffyldning, **G.** Fod eller hjul (ekstraudstyr), **H.** Brændstof niveauindikator, **I.** Skrue til lås af brændstofsamlingen, **L.** Rude, **M.** Prop til tømning af beholder, **N.** Brændstofbeholder, **O.** Håndtag til transport af generatoren, **P.** Tap til lås af håndtaget, **Q.** Brænder, **R.** Stort håndtag til drejning af forbrændingskammeret



Figur 5 - Kontroller



Figur 6 - Brænder og bestanddele

**A.** Luftindstilling, **B.** ON/OFF afbryder, **C.** ON/OFF afbryder anden styrke (XL 9SR), **D.** RESET knap, **E.** Spændingslampe, **F.** Brænder dæksel, **G.** Stik til omgivende termostat, **H.** Fastspændingsskrue til brænder, **I.** Anordning til efterfølgende ventilation, **L.** Anordning til kontrol af flammen, **M.** Transformator, **N1.** (XL 9ER) pumpetryk justering, **N2.** (XL 9SR) pumpetryk justering, **O1.** Brændstofpumpe (XL 9ER), **O2.** Brændstofpumpe (XL 9SR), **P.** Kondensator, **Q.** Motor, **R.** Brænderspids, **S.** Justering af forbrændingshovedet, **T.** Modstand med fotocelle (XL 9ER-SR), **U1.** Magnetventil til første trin af flammen, **U2.** Magnetventil til andet trin af flammen (XL 9SR)

## BRÆNDSTOF

**PAS PÅ: Generatoren fungerer UDELUKKENDE med ke-rosén eller gasolie.**

Anvendelse af urent brændstof kan medføre:

- Tilstopning af brændstoffilteret og af dysen.
- Dannelsen af kulagtige bundfald på elektroderne.

Ved lav temperatur, anvend ugiftige frostbeskyttende tilsætningsmidler.

## FUNKTIONSPRINCIP

Luften, der er nødvendig for at sikre en korrekt forbrænding er fremstillet af drejningen af en ventil, der findes indvendigt i brænderen. Luftstrømningen kommer ud af brænderens spids og blandes med brændstoffet, som er forstøvet af en højtryks-dyse. Det forstøvede brændstof leveres af en drejende pumpe, der indsuger brændstoffet fra beholderen og sender det med højt tryk til dysen til forstøvningen.

## IGANGSÆTNING

**ADVARSEL: Før generatoren sættes i gang, og derfor før forbindelsen til den elektriske spænding, kontroller at karakteristikkene af det elektriske net svarer til dem, der er angivet på generatorens identifikationsskilt.**

### TÆNDING AF GENERATOREN

1. Følg alle instruktionerne vedrørende sikkerheden.
2. Fyld beholder med brændstof.
3. Luk proppen på beholderen.
4. Sæt stikket af tilførselskablet ind i væggenes stikkontakt med jordforbindelse og med samme spænding, som den, der er angivet på apparatets identifikationsskilt.

### TÆNDING UDEN OMGIVENDE TERMOSTAT


#### • XL 9ER

Stil afbryderen (B Fig. 5) på ON (I) positionen. Den indledende ventilationstid starter og efter cirka 10 sekunder starter forbrændingen.

#### • XL 9SR

**ADVARSEL: Før der tændes for generatoren, tjek at afbryderen (C Fig. 5) er på  position.**

Stil afbryderen (B Fig. 5) på ON positionen. Den indledende ventilationstid starter og efter cirka 10 sekunder starter forbrændingen.

Hvis den maksimale styrke ønskes, stil afbryderen (C Fig. 5) på () position.

### TÆNDING MED OMGIVENDE TERMOSTAT

Juster den omgivende termostat eller kontrolanordningen (for eksempel en tidsafbryder), hvis tilsluttet, for at tillade funktionen.

**PAS PÅ: Generatoren kan UDELUKKENDE fungere med automatisk funktion når en kontrolanordning, som for eksempel en omgivende termostat eller en tidsafbryder er tilsluttet selve generatoren. For at tilslutte en kontrolanordning på apparatet, henvises der til afsnittet »ELEKTRISK SKEMA«.**

Ved den første igangsætning eller efter af have fuldstændig tømt gasolie kredsen, kan gasolie strømmingen til dysen vise sig at være utilstrækkelig, og det kan forårsage indkoblingen af sikkerhedsanordningen til flamme kontrollen (se afsnit "SIKKERHEDSANORDNING"), som standser generatoren. I dette tilfælde, efter at have ventet i ca. et minut, tryk på Reset knappen (D Fig. 5 og 6) og genstart apparatet.

I tilfælde af funktionssvigt, prøv først de følgende operationer:

1. Kontroller, at der er gasolie tilbage i beholderen (N Fig. 4).
2. Tryk på genindstillingsknappen (D Fig. 5 o 6).

Hvis selv efter de ovennævnte operationer generatoren ikke virker, henvises der til afsnittet »FEJLFINDING« for at finde årsagen til funktionssvigt.

**PAS PÅ: Før den anden igangsætning (med slukket og godt afkølet generator), kontroller at skruerne, der låser den forreste rude er korrekt fastspændt (L Fig. 4).**

**ADVARSEL: Generatorens elektriske forsyningslinje skal være udstyret med jordforbindelse og med en magneto-termisk differentiale afbryder. Generatorens elektriske stik skal være tilsluttet et stik, der er udstyret med effektafbryder.**

### SLUKNING AF GENERATOREN

Stil afbryderen (B Fig. 5) på OFF (O) positionen eller operer, hvis tilsluttet, på den omgivende termostat eller på kontrolanordningen (tidsafbryder) ved at indstille den på passende vis. Flammen slukkes og ventilationen bliver ved til den efterfølgende ventilation (afkøling) slutter.

**ADVARSEL: Før tilførselskablet koble fra stikkontakten, vent af cyklussen af den efterfølgende ventilation er afsluttet (afkøling på cirka 3 minutter).**

## SIKKERHEDSANORDNINGER

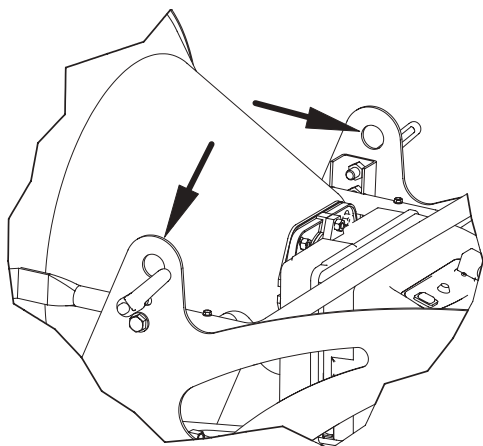
Generatoren er udstyret med en sikkerhedsanordning (L Fig. 6) til kontrol af flammen. Hvis der skulle ske en eller flere fejl under funktionen, vil anordningen blokere brænderen og forårsage tændingen af RESET knappens advarselslampe (D Fig. 5 o 6). Generatoren er udstyret med et apparat til den efterfølgende ventilation. Dette apparat tillader en optimal og automatisk afkøling af forbrændingskammeret i cirka 3 minutter. Før generatoren genstartes, bør årsagen, der har medført blokeringen findes og rettes.

## TRANSPORT OG HÅNDTERING

**ADVARSEL: Før maskinen løftes eller flyttes, tjek at beholderens propper (F og H Fig. 3) er godt lukket.**

### TRANSPORT

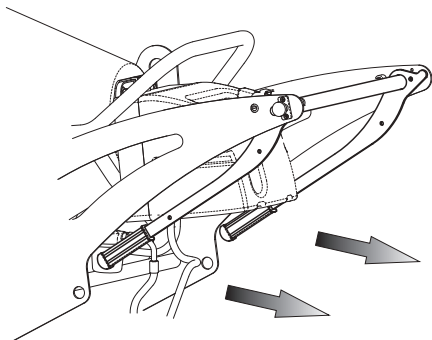
Generatoren kan nemt transporteres fra et rum til et andet; desuden, er det muligt at løfte og placere den på forskellige arbejds højder, ved hjælp af særlige løfteøjer (B Fig. 3 eller 7). Det er derfor muligt at fastspænde maskinen og hejse den for at placere den, der hvor man ønsker at opvarme, optø og tørre.



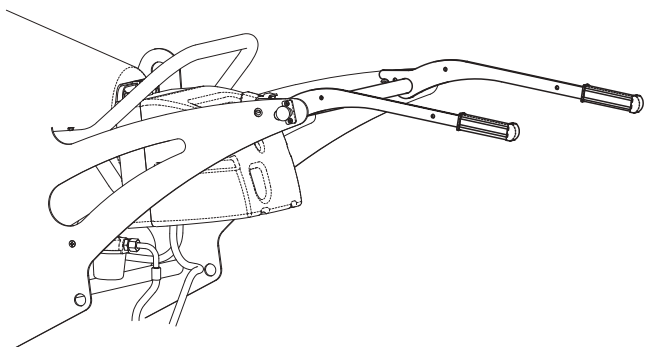
Figur 7 - Fastspændingsøj

**HÅNTERING**

Generatoren kan være udstyret med drejende hjul (G Fig. 3). I dette tilfælde, hvis gulvet tillader det, kan generatoren skubbes frem som en vogn. Hvis apparatet ikke er udstyret med drejende hjul, skal tappen (P Fig. 4), der findes på en af generatorens sidestandere, frakobles. Stil håndtagene ned i »hvileposition« (Fig. 8). Drej så håndtagene op i »håndteringsposition« (Fig. 9). Løft generatoren og flyt den, ved at lade den glide på forhjulene.



Figur 8 - Position med lukkede håndtag



Figur 9 - Position med åbne håndtag

**ADVARSEL:** Før apparatet flyttes, bør man: standse maskinen ifølge instruktionerne i afsnittet "SLUKNING AF GENERATOREN"; afkoble den elektriske tilslutning ved at trække stikket ud af stikkontakten på væggen, og vente at generatoren køler af.

**FOREBYGGENDE  
VEDLIGEHOLDELSE**

**ADVARSEL:** Før enhver vedligeholdelsesoperation, bør man: standse maskinen ifølge instruktionerne i afsnittet "STANDSNING"; afkoble den elektriske tilslutning ved at trække stikket ud af stikkontakten på væggen, og vente at generatoren køler af.

Instruktionerne i dette afsnit, som vedrører vedligeholdelsesintervallerne, afhænger også i god grad af brændstoffets renhed og af miljøet, hvor generatoren anvendes. De nedenstående intervaller henviser til udluftede arbejdsmiljøer med lidt støv, og til anvendelsen af rent brændstof.

Hver 50 driftstimer bør man:

- Afmontere patronen af linjefilteret (henvis til »RENGØRING AF GASOLIEFILTERET«), fjerne den og rengøre den.

Hver 200 driftstimer bør man:

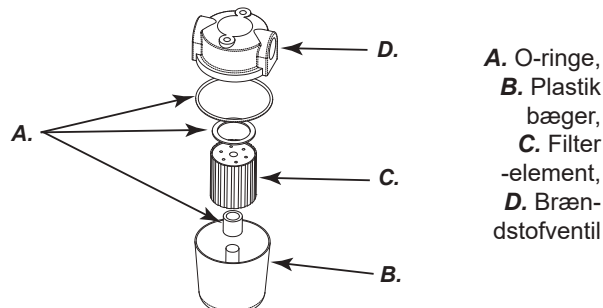
- Afmontere pumpefilteret og rengøre det grundigt (henvis til »RENGØRING AF PUMPEFILTERET«).

Hver 300 driftstimer bør man:

- Afmontere brænderen og rengøre flammepladen, der findes i den indvendige del af brænderens spids, og elektroderne, ved at justere afstanden hvis nødvendigt (henvis til »RENGØRING AF BRÆNDEREN«).

**RENGØRING AF GASOLIEFILTERET**

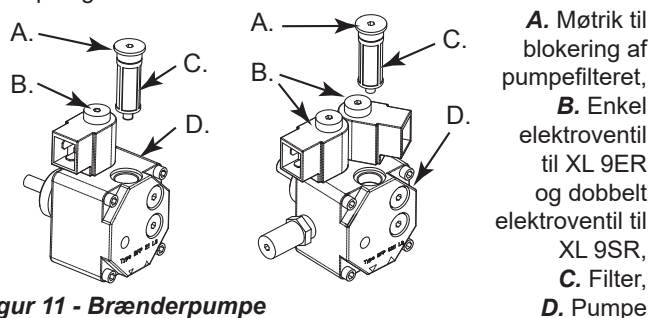
- Skru plasticbægeret af og tag filterelementet ud (patron);
- Rengør den grundigt med kerosén.
- Sæt filterelementet tilbage i dets sæde, og skru plasticbægeret på brændstoffilterets faste legeme.



Figur 10 - Filter

**RENGØRING AF PUMPEFILTERET**

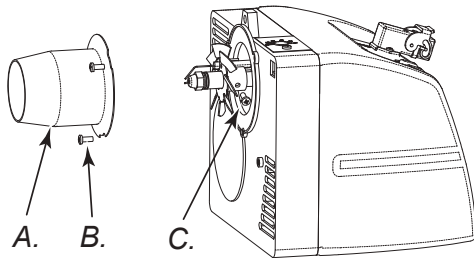
- Afmonter brænder dækslet (F Fig. 5) og find brændstoffumpen (O Fig. 6).
- Skru møtrikken af med den særlige nøgle (A Fig. 11), der fastspænder filteret.
- Tag filteret (C Fig. 11) ud af sædet.
- Rengør det grundigt med kerosén.
- Sæt filteret tilbage i dets sæde og skru møtrikken på pumpelegemet.



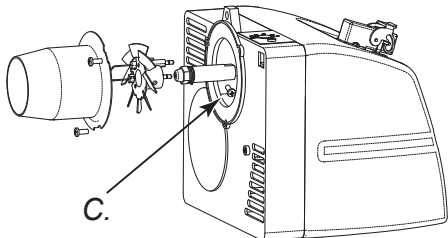
Figur 11 - Brænderpumpe

## RENGØRING AF BRÆNDEREN

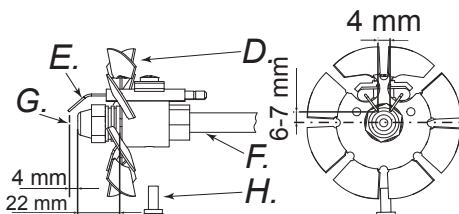
- Fjern skruen (H Fig. 5), der fastspænder brænderen til forbrændingskammeret (A Fig. 3).
- Tag brænderen ud af forbrændingskammeret (se Fig. 3).
- Fjern de tre skrue (B Fig. 12), der fastspænder brænderspidsen (A Fig. 12).
- Drej spidsen med uret og træk den ud af dens sæde.
- Fjern skruen (C Fig. 13), der fastspænder samlingen flammeplade-elektroder og træk dem ud af dyseholderen (F Fig. 14).
- Rengør flammepladen (D Fig. 14) og elektroderne (E Fig. 14).
- Skru dysen (G Fig. 14) af fra dyseholderen (F Fig. 14). Rengør den, og hvis nødvendigt, udskift den.
- Sæt dysen (G Fig. 14) tilbage i dens sæde.
- Monter samlingen flammeplade-elektroder igen, og sørg for at overholde afstandene ifølge illustrationen (Fig. 14).



Figur 12 - Afmontering af spidsen-brænderen



Figur 13 - Afmontering af samlingen flammeplade-elektroder

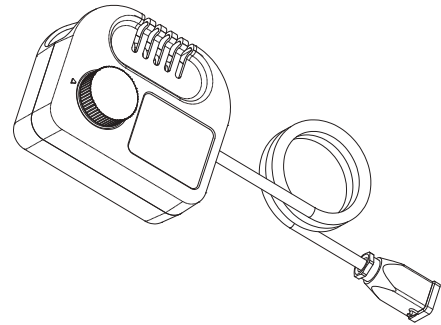


Figur 14 - Afstande af dyse elektroderne

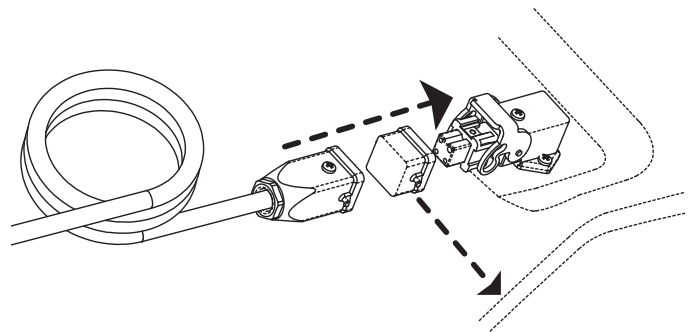
A. Brænderrør, B. Skrue til brænderrør, C. Skrue Flammeplade, D. Flammeplade, E. Elektroder, F. Dyseholder, G. Dyse, H. Skrue

## UDSTYR

### OMGIVENDE TERMOSTAT

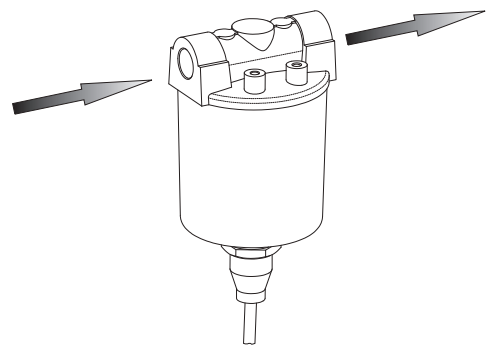


### TILSLUTNING AF DEN OMGIVENDE TERMOSTAT

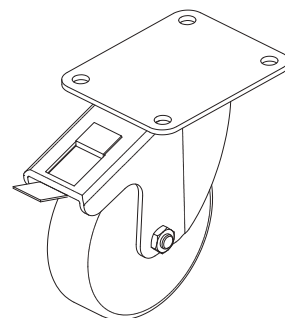


**ADVARSEL:** Før tilkoblingen af kontrolanordningen startes bør man: standse maskinen ifølge indikationerne i afsnittet "SLUKNING AF GENERATOREN"; afkoble den elektriske tilslutning ved at trække stikket ud af stikkontakten på væggen, og vente at generatoren køler af.

### FILTER TIL BRÆNDSTOF FORVARMNING



### HJUL AF BREMSE



## FEJLFINDING

**ADVARSEL:** Før enhver vedligeholdelsesoperation, bør man: standse maskinen ifølge instruktionerne i afsnittet »SLUKNING AF GENERATOR«; afkoble den elektriske tilslutning ved at trække stikket ud af stikkontakten på væggen, og vente at generatoren køler af.

FEJL	MULIG ÅRSAG	LØSNING
Apparatet blokeres med tændt flamme. RESET knap (D Fig. 5 o D Fig. 6) tændt	<ol style="list-style-type: none"> <li>1. Fejlagtig modstand med fotocelle eller også snavset af røg</li> <li>2. Snavset brændstoffilter</li> <li>3. Kredsen af anordningen til flammekontrollen er fejlagtig</li> <li>4. Flammepladen eller spidsen er snavset (Fig. 12, 13 og 14)</li> </ol>	<ol style="list-style-type: none"> <li>1. Rengør eller udskift modtanden med fotocelle</li> <li>2. Afmonter filteret og rengør det</li> <li>3. Udskift anordningen til flammekontrollen</li> <li>4. Rengør</li> </ol>
Apparatet blokeres og sprøjter brændstof uden at flammen opstår. RESET knap (D Fig. 5 o D Fig. 6) tændt	<ol style="list-style-type: none"> <li>1. Det elektriske anlæg er ikke egnet</li> <li>2. Fejlagtig transformator (M Fig. 6)</li> <li>3. Transformatorens ledninger forårsager jordfejl</li> <li>4. Spidserne af elektroderne er ikke på ret afstand</li> <li>5. Elektroderne forårsager jordfejl fordi de er snavset eller fordi isolationsmaterialet er fejlagtigt</li> </ol>	<ol style="list-style-type: none"> <li>1. Tjek hele det elektriske anlæg</li> <li>2. Udskift</li> <li>3. Udskift</li> <li>4. Stil dem tilbage til den anbefalede position (henvis til Fig. 14)</li> <li>5. Rengør og hvis nødvendigt udskift</li> </ol>
Apparatet blokeres uden at sprøjte brændstof. RESET Knap (D Fig. 5 e 6)	<ol style="list-style-type: none"> <li>1. Modstanden med fotocellen opfanger en stærk lyskilde</li> <li>2. Motoren mangler en fase</li> <li>3. Brændstoffet når ikke til pumpen</li> <li>4. Der mangler brændstof i beholderen</li> <li>5. Tilstoppet dyse</li> </ol>	<ol style="list-style-type: none"> <li>1. Stil maskinen, på en sådan måde, at lyset ikke rammer den forreste rude</li> <li>2. Kontroller forsyningslinjen</li> <li>3. Kontroller trykside rørene (D Fig. 3)</li> <li>4. Påfyld</li> <li>5. Afmonter og rengør, og hvis nødvendigt udskift</li> </ol>
Brænderen starter ikke	<ol style="list-style-type: none"> <li>1. Kontrolanordning (omgivende termostat eller tidsafbryder)</li> <li>2. Kortsluttet modstand med fotocelle (T Fig. 6)</li> <li>3. Der er ikke spænding på grund af åben hovedafbryder eller maksimalafbryder af strømslutteren indkoblet eller mangel på spænding i hovednettet</li> <li>4. Installationen af kontrolanordningen (omgivende termostat eller tidsafbryder) er ikke korrekt</li> <li>5. Indvendig fejl i apparatet til flammekontrollen</li> <li>6. Sprunget sikring</li> </ol>	<ol style="list-style-type: none"> <li>1. Juster kontrolanordningen</li> <li>2. Udskift modstanden</li> <li>3. Luk afbryderne eller vent at strømmen kommer tilbage</li> <li>4. Kontroller installationen ifølge beskrivelsen "TILSLUTNING AF DEN OMGIVENDE TERMOSTAT"</li> <li>5. Udskift</li> <li>6. Åbn dækslet (F Fig. 5) og udskift</li> </ol>
Flammen blafrer med dårlig lugt, sort røg og flammer, der kommer ud af den forreste rude	<ol style="list-style-type: none"> <li>1. Forstøvningstrykket er lavt</li> <li>2. Utilstrækkelig brandnærende luft</li> <li>3. Tilstoppet dyse på grund af snavs eller slitage</li> <li>4. Vand i brændstoffet. Brændstof af dårlig kvalitet</li> <li>5. Beholderen er ved at løbe tør for brændstof</li> </ol>	<ol style="list-style-type: none"> <li>1. Genindstil det normale tryk</li> <li>2. Øg det brandnærende luft</li> <li>3. Rengør eller udskift dysen</li> <li>4. Tøm brændstoffet fra den særlige afstrømningsprop (M Fig. 4)</li> <li>5. Påfyld brændstoffet</li> </ol>

## SPIS TREŚCI

1. PREZENTACJA PRODUKTU
1. ROZPAKOWYWANIE I SKŁADOWANIE
2. INFORMACJE DOTYCZĄCE BEZPIECZEŃSTWA  
OBSŁUGI
3. IDENTYFIKACJA PRODUKTU
4. PALIWO
4. ZASADA PRACY
4. INSTRUKCJA OBSŁUGI
4. URZĄDZENIA ZABEZPIEZAJĄCE
4. PRZEMIESZCZANIE I TRANSPORT
5. HARMONOGRAM KONSERWACJI
6. AKCESORIA
7. USTERKI I ICH PRAWDOPODOBNE PRZYCZYNY

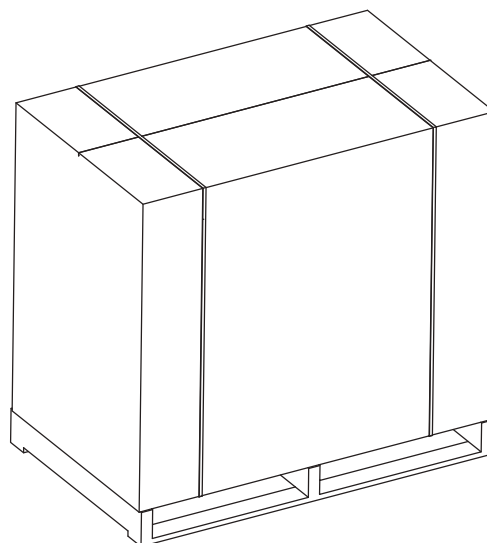
## PREZENTACJA PRODUKTU

XL 9 wytwarza ciepło poprzez promieniowanie. Technologia promieniowania bazuje na tej samej zasadzie fizycznej co ciepło z energii słonecznej. Słońce podgrzewa ciała wyłącznie poprzez fale promieniowania, natomiast nie wykorzystuje strumienia ciepła. Ze względu na niezliczone zalety metoda promieniowania jest wysoce popularna wśród profesjonalnych nabywców. XL 9 zostało zaprojektowane na bazie tych zasad fizycznych i stało się niezastąpione w środowisku, które wymaga stałego źródła ciepła do ogrzewania, odmrażania czy też suszenia. Dodatkowo, poziom hałasu jest bardzo niski co sprawia, że można zastosować go w każdej pracy bez przymusu przebywania w hałasie. Nagrzewnice można z łatwością przemieszczać oraz ustawiać kierunek promieniowania cieplnego. Nagrzewnica posiada możliwość podłączenia termostatu pomieszczeniowego. Zewnętrzny wskaźnik zbiornika paliwa umożliwia szybkie sprawdzenie ilości płynu lub konieczności jego uzupełnienia. Model SR posiada zakres dwóch mocy i umożliwia efektywne użycie urządzenia w różnych warunkach i porach roku.

## ROZPAKOWYWANIE I SKŁADOWANIE

### ROZPAKOWYWANIE

- Usunąć podstawki użyte do zapakowania urządzenia (Rys. 1).
- Otworzyć górną część opakowania.
- Wyjąć umieszczoną na wierzchu tekturę.
- Usunąć zamocowania mocujące nagrzewnicę do palety (Rys. 2).
- Delikatnie zdjąć nagrzewnicę z palety.
- Materiały użyte do zapakowania nagrzewnicy należy utylizować zgodnie z obowiązującymi na danym terenie przepisami.
- Sprawdzić, czy urządzenie nie ma żadnych uszkodzeń, które mogły powstać podczas transportu. W przypadku stwierdzenia tego typu uszkodzeń należy bezzwłocznie powiadomić o tym sklep, w którym został dokonany zakup.

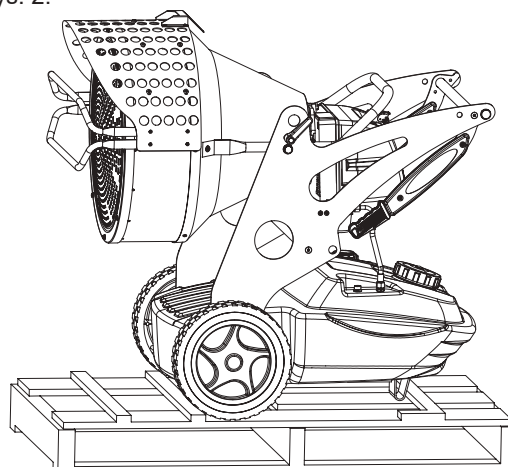


Rysunek 1 - Opakowanie nagrzewnicy

### SKŁADOWANIE I TRANSPORT

W przypadku, gdy nagrzewnica musi być składowana, bądź też jeśli doznała zniszczenia podczas transportu, lub jeśli powinna być naprawiona to należy:

- Sprawdzić zniszczenie, a w szczególności czy powstał wyciek paliwa. W takim wypadku, opróżnić zbiornik z pozostałego płynu.
- Podczas składowania umieścić nagrzewnicę na tej samej paletce, z której został rozpakowany, natomiast w przypadku zwrotu wyłącznie na odpowiedniej paletce euro firmy EPA.
- Przymocować mocno nagrzewnicę do palety (Rys. 2).
- Jeśli to możliwe, nałożyć karton z opakowania poczynając od góry, aż do dołu palety, mocując przy tym odpowiednimi materiałami (Rys. 1).
- Składować maszynę w odpowiednim, suchym miejscu, nie kłaść na sobie więcej niż dwa opakowania. Wysłać nagrzewnicę tak jak to pokazano na Rys. 1 albo przynajmniej na Rys. 2.



Rysunek 2 - Nagrzewnica na paletce

## INFORMACJE DOTYCZĄCE BEZPIECZEŃSTWA OBSŁUGI OSTRZEŻENIE



**UWAGA:** Ta nagrzewnica została zaprojektowana do zastosowań mobilnych i tymczasowych. Nie została zaprojektowana do użytku domowego ani do komfortu termicznego człowieka.

**WAŻNE:** Przed przystąpieniem do eksploatacji nagrzewnicy promiennikowej lub wykonywania jakichkolwiek czynności związanych z jej konserwacją należy dokładnie przeczytać niniejszą instrukcję obsługi. Niewłaściwe użytkowanie nagrzewnicy promiennikowej może skutkować poważnymi lub śmiertelnymi obrażeniami ciała, spowodowanymi oparzeniami, wybuchem pożaru, eksplozją, porażeniem elektrycznym lub zatruciem tlenkiem węgla.

**NIEBEZPIECZEŃSTWO:** Zatrucie tlenkiem węgla może prowadzić do śmierci.

**Zatrucie tlenkiem węgla** - Pierwsze objawy zatrucia tlenkiem węgla są podobne do objawów grypy i charakteryzują się bólami głowy, zawrotami głowy i/lub mdłościami. Objawy te mogą zostać spowodowane wadliwym działaniem nagrzewnicy promiennikowej. **W przypadku zauważenia tego typu objawów należy natychmiast wyjść na świeże powietrze.** Nagrzewnicę należy oddać do naprawy. Ponowne uruchomienie nagrzewnicy może nastąpić dopiero po jej naprawieniu. W niektórych przypadkach tlenek węgla ma bardziej szkodliwe działanie; dotyczy to w szczególności kobiet w ciąży, osób cierpiących na choroby serca lub płuc oraz osób cierpiących na niedokrwistość, a także osób znajdujących się pod wpływem alkoholu bądź osób przebywających na dużych wysokościach n.p.m. użytkownik nagrzewnicy powinien przeczytać i zrozumieć wszystkie ostrzeżenia. Niniejszą instrukcję należy przechowywać w bezpiecznym miejscu w celu późniejszego wykorzystania: użytkownik znajdzie w niej wskazówki dotyczące bezpiecznej i prawidłowej obsługi nagrzewnicy promiennikowej. Aby zmniejszyć niebezpieczeństwo pożaru lub eksplozji, do zasilania nagrzewnicy należy używać wyłącznie oleju opałowego lub napędowego. W żadnym wypadku nie wolno stosować benzyny, benzyny ciężkiej, rozcieńczalników do farb, alkoholu ani żadnych innych substancji łatwopalnych.

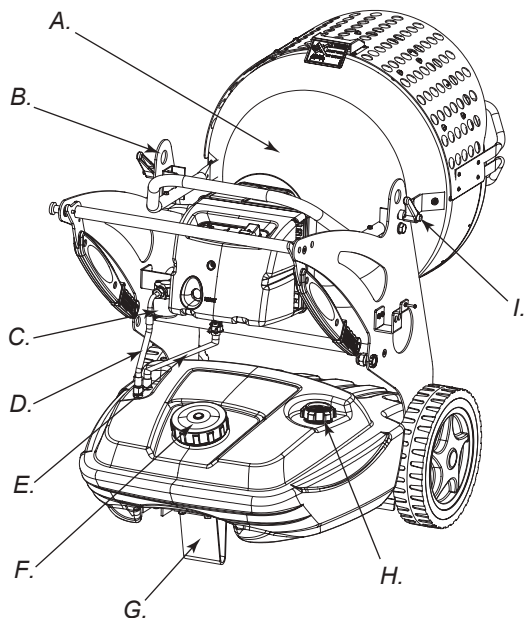
• Napełnianie zbiornika:

- Personel zajmujący się napełnianiem zbiornika powinien mieć odpowiednie kwalifikacje oraz bardzo dobrze znać instrukcje fabryczne oraz obowiązujące przepisy prawa, dotyczące bezpiecznej eksploatacji nagrzewnicy powietrza.
- Stosować wyłącznie paliwo wyraźnie określone na tabliczce znamionowej umieszczonej na nagrzewnicy.
- Przed przystąpieniem do napełniania zbiornika należy wygasić wszystkie płomienie, w tym również płomyk kontrolny, i pozostawić nagrzewnicę do ochłodzenia.
- Podczas napełniania zbiornika należy skontrolować wszystkie przewody paliwowe oraz ich złącza pod kątem szczelności. Wszelkie nieszczelności muszą zostać usunięte przed ponownym uruchomieniem nagrzewnicy.
- W żadnym wypadku nie wolno przechowywać w tym samym budynku lub w pobliżu nagrzewnicy paliwa w ilości większej niż niezbędna dla zapewnienia jednodniowego działania nagrzewnicy. Zbiorniki do przechowywania paliwa powinny być umieszczone w odrębnym budynku.
- Wszystkie zbiorniki paliwa powinny być umieszczone w odległości co najmniej 1 m od nagrzewnicy, a także od

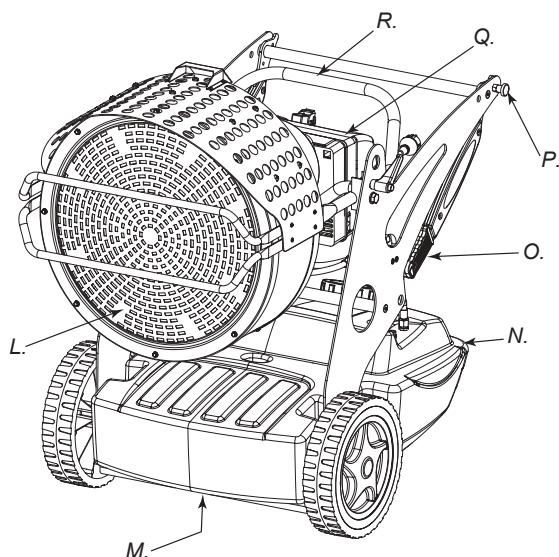
palników do spawania gazowego, sprzętu spawalniczego i tym podobnych źródeł zapłonu (nie dotyczy to zbiorników paliwa zabudowanych w nagrzewnicy).

- Paliwo należy przechowywać w pomieszczeniach, w których materiał podłogowy uniemożliwia wsiąkanie paliwa w przypadku jego rozlania lub wycieku z przewodu paliwowego, gdyż mogłoby to doprowadzić do wybuchu pożaru.
- Wszystkie pomieszczenia oraz zbiorniki do przechowywania paliwa muszą spełniać wymagania aktualnie obowiązujących przepisów prawa.
  - W żadnym wypadku nie wolno używać nagrzewnicy promiennikowej w pomieszczeniach, w których znajduje się benzyna, rozcieńczalnik do farb lub inne łatwopalne substancje.
  - Podczas użytkowania nagrzewnicy należy przestrzegać wszystkich lokalnych rozporządzeń oraz aktualnie obowiązujących przepisów prawa.
  - Nagrzewnice używane w pobliżu tkanin, zasłon lub tym podobnych materiałów o dużej powierzchni muszą być umieszczone w bezpiecznej odległości od tych obiektów. Minimalną bezpieczną odległość określają odpowiednie przepisy aktualnie obowiązujące w kraju użytkowania nagrzewnicy. Ponadto w charakterze osłon zaleca się stosowanie materiałów ognioodpornych. Tego typu materiały powinny być bezpiecznie zamocowane, aby nie dopuścić do ich zapalenia się w przypadku zetknięcia się z nagrzewnicą w wyniku działania przeciągu lub wiatru.
  - Nagrzewnice należy użytkować wyłącznie w dobrze przewietrzanych pomieszczeniach. Niezbędne jest zapewnienie odpowiedniego otworu lub instalacji służącej do wymiany powietrza, spełniającej obowiązujące na danym obszarze wymagania przepisów prawa, aby umożliwić dopływ świeżego powietrza.
  - Nagrzewnicę należy podłączyć do sieci zasilającej o napięciu i częstotliwości zgodnych z wartościami podanymi na tabliczce znamionowej.
  - Stosować wyłącznie przedłużacze 3-żyłowe, prawidłowo podłączone do uziemionej wtyczki.
  - Jako minimalną bezpieczną odległość należy przyjąć odległość wymaganą przez obowiązujące na danym terenie przepisy prawa.
  - Nagrzewnicę należy umieścić w takim miejscu, aby po rozgrzaniu lub w trakcie pracy powierzchnia, na której ustawiona jest nagrzewnica, pozostawała stabilna i pozioma. Ma to na celu uniknięcie niebezpieczeństwa wzniesienia pożaru.
  - Podczas przemieszczania lub magazynowania należy pamiętać o utrzymywaniu nagrzewnicy w położeniu poziomym, aby uniknąć rozlania paliwa.
  - Nie wolno dopuszczać do zbliżania się do nagrzewnicy dzieci i zwierząt.
  - Nieużywaną nagrzewnicę należy odłączyć od zasilania.
  - Należy pamiętać, że nagrzewnica sterowana przez jakieś inne urządzenie (takie jak termostat lub regulator czasowy) może się włączyć w dowolnym momencie.
  - Nagrzewnicy nie wolno w żadnym wypadku umieszczać w zamieszkałych pomieszczeniach.
  - Nie wolno zasłaniać wlotowych lub wylotowych otworów powietrza.
  - W żadnym wypadku nie wolno manipulować w obrębie rozgrzanej, podłączonej do zasilania lub pracującej nagrzewnicy, ani przemieszczać jej, uzupełniać paliwa w zbiorniku, czy też wykonywać jakichkolwiek czynności konserwacyjnych.
  - Dym powstający podczas pierwszego włączenia nagrzewnicy spowodowany jest spalaniem odparowujących materiałów organicznych (ceramicznych) obecnych w komorze spalania, a także oleju antykorozyjnego, którym pokryta jest powierzchnia palnika. Po upływie kilku minut dymienie ustanie.
  - Zakres roboczych temperatur otoczenia nagrzewnicy wynosi od -30°C do +40°C.

## IDENTYFIKACJA PRODUKTU

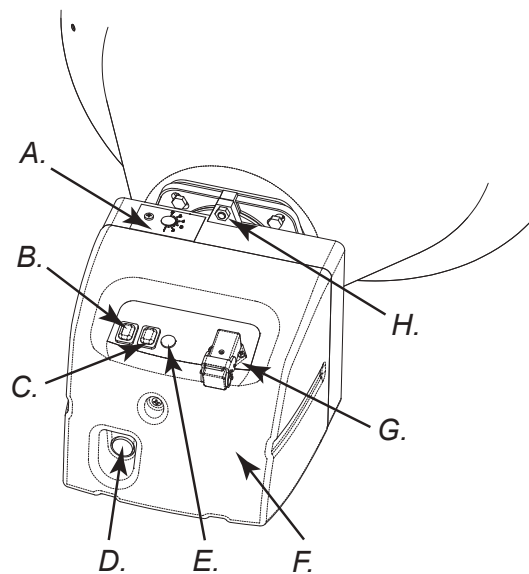


Rysunek 3

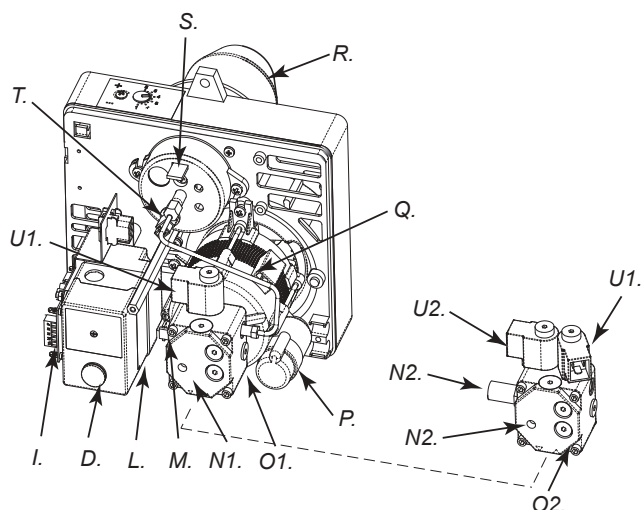


Rysunek 4

**A.** Komora spalania, **B.** Zaczep transportowy, **C.** Filtr paliwa lub wstępnie podgrzewany filtr paliwa (OPCJA), **D.** Przewód doprowadzania paliwa, **E.** Przewód powrotny paliwa, **F.** Zakrętka wlewu paliwa, **G.** Stopka lub kółko (OPCJA), **H.** Wskaźnik poziomu paliwa, **I.** Blokada zespołu komory spalania, **L.** Przedni deflektor, **M.** Korek spustu paliwa, **N.** Zbiornik paliwa, **O.** Uchwyt do przemieszczania nagrzewnicy, **P.** Blokada zawiasu, **Q.** Palnik, **R.** Regulator kąta nachylenia



Rysunek 5 - Urządzenia sterujące pracą nagrzewnicy



Rysunek 6 - Podzespoły palnika nagrzewnicy

**A.** Regulator otworów powietrznych, **B.** Podświetlany przycisk WŁ./WYŁ., **C.** Włącznik podgrzewania paliwa (OPCJA) (XL 9SR), **D.** Przycisk ponownego uruchamiania, **E.** Wskaźnik zasilania, **F.** Obudowa palnika, **G.** Wtyk termostatu, **H.** Wkręt, **I.** Wentylacja następcza, **L.** Regulator płomienia, **M.** Transformator, **N1.** regulator pompy (XL 9ER), **N2.** Regulator pompy (XL 9SR), **O1.** Pompa (XL 9ER), **O2.** Pompa (XL 9SR), **P.** Kondensator, **Q.** Silnik, **R.** Rura palnika, **S.** Regulator głowicy spalania, **T.** Rezystor fotoelektryczny, **U1.** Elektrozawór 1°(XL 9ER-SR), **U2.** Elektrozawór 2°(XL 9SR)



## PALIWO

**OSTRZEŻENIE:** Nagrzewnica może być zasilana **WYŁĄCZNIE** olejem napędowym lub opalowym.

Stosowanie zanieczyszczonych paliw może stać się przyczyną:

- Zablockowania filtra i dyszy paliwa.
- Tworzenia się osadów węglowych na elektrodach.

W niskich temperaturach otoczenia należy stosować nietoksyczny środek zapobiegający krzepnięciu paliwa.

## ZASADA PRACY

Wentylacja, potrzebna do spalania, jest wytwarzana przez wentylator wewnątrz palnika. Powietrze będące w tubie palnika miesza się z paliwem, które jest rozpylane przez dyszę wysokociśnieniową. Paliwo jest zasysane ze zbiornika poprzez pompę rotacyjną, która wciąga paliwo pod wysokim ciśnieniem do dyszy aby je rozpylić.

## INSTRUKCJA OBSŁUGI

**OSTRZEŻENIE:** Przed rozpoczęciem eksploatacji nagrzewnicy, a co za tym idzie przed jej podłączeniem do sieci elektrycznej, należy sprawdzić, czy parametry sieci zasilającej odpowiadają parametrom zamieszczonym na tabliczce znamionowej nagrzewnicy.

### URUCHAMIANIE NAGRZEWNICY


1. Należy przestrzegać wszystkich wskazówek dotyczących zachowania bezpieczeństwa.
2. Napełnić zbiornik olejem napędowym lub opalowym.
3. Zakręcić korek wlewu paliwa.
4. Podłączyć przewód zasilający do uziemionego gniazdka ściennego o napięciu zgodnym z napięciem podanym na tabliczce znamionowej nagrzewnicy.

### URUCHAMIANIE NAGRZEWNICY BEZ TERMOSTATU


#### • XL 9ER

Ustawić przełącznik (B Rys. 5) w położeniu włączenia (I). Nagrzewnica zacznie pracować w trybie wentylacji wstępnej po upływie 10 sekund od rozpoczęcia pracy palnika.

#### • XL 9SR

**OSTRZEŻENIE:** Przed uruchomieniem nagrzewnicy upewnić się, że przycisk (C Rys. 5) jest w odpowiednim położeniu .

Ustawić przełącznik (B Rys. 5) w położeniu włączenia (I). Nagrzewnica zacznie pracować w trybie wentylacji wstępnej po upływie 10 sekund od rozpoczęcia pracy palnika.

W celu uzyskania maksymalnej wydajności ustawić przycisk w pozycji jak na rysunku (C Rys. 5) ().

### URUCHAMIANIE NAGRZEWNICY Z TERMOSTATEM

Ustawić termostat lub urządzenie sterujące (na przykład regulator czasowy), o ile jest podłączone, tak aby umożliwić działanie nagrzewnicy.

**OSTRZEŻENIE:** Nagrzewnica może działać w trybie automatycznym TYLKO w przypadku podłączenia urządzenia sterującego, na przykład termostatu lub regulatora czasowego. Urządzenie sterujące należy podłączyć do nagrzewnicy zgodnie ze SCHEMATEM POŁĄCZEŃ ELEKTRYCZNYCH.

Przed uruchomieniem nagrzewnicy lub po całkowitym opróżnieniu przewodu paliwowego przepływ paliwa do dyszy jest zbyt mały i powoduje zadziałanie urządzenia zabezpieczającego sprawującego nadzór nad płomieniem (patrz punkt URZĄDZENIA ZABEZPIECZAJĄCE), w wyniku czego następuje wyłączenie nagrzewnicy. W takim przypadku należy, po odczekaniu około jednej minuty, nacisnąć przycisk ponownego uruchamiania (D na Rys. 5-6) i uruchomić nagrzewnicę. Jeśli nagrzewnica nie daje się uruchomić, należy:

1. Upewnić się, czy w zbiorniku (N na Rys. 4) jest paliwo.
2. Nacisnąć przycisk ponownego uruchamiania (D na Rys. 5-6).

Jeśli nagrzewnica w dalszym ciągu nie daje się uruchomić, należy zapoznać się z treścią rozdziału USTERKI I ICH PRAWDOPODOBNE PRZYCZYNY w celu ustalenia przyczyny takiego stanu rzeczy.

**OSTRZEŻENIE:** Ponownym załączeniem (urządzenie jest wyłączone i powinno być wychłodzone) należy zablokować śruby regulatora konta nachylenia.

**OSTRZEŻENIE:** Instalacja elektryczna zasilająca nagrzewnicę musi być uziemiona oraz wyposażona w różnicowy wyzwalacz elektromagnetyczno-termiczny. Przewód zasilający nagrzewnicy musi być podłączony do gniazda wyposażonego w wyłącznik sekcyjny.

### WYŁĄCZANIE NAGRZEWNICY

Przestawić przełącznik (B na Rys. 5) w położenie wyłączenia (O) lub wyłączyć termostat bądź urządzenie sterujące (regulator czasowy), jeśli któreś z tych urządzeń jest podłączone do nagrzewnicy. Płomień zgaśnie, lecz nadmuch powietrza będzie działał w dalszym ciągu, aż do zakończenia cyklu wentylacji następczej (schładzania).

**OSTRZEŻENIE:** Przed wyjęciem wtyczki przewodu zasilającego z gniazdka ściennego należy odczekać, aż cykl wentylacji następczej zostanie całkowicie zakończony (schładzanie trwa w przybliżeniu 3 minuty).

## URZĄDZENIA ZABEZPIECZAJĄCE

Nagrzewnica jest wyposażona w urządzenie zabezpieczające (L na Rys. 6), sprawujące nadzór nad płomieniem. Jeśli w trakcie pracy nagrzewnicy wystąpią nieprawidłowości, urządzenie zabezpieczające wyłącza palnik i powoduje podświetlenie przycisku ponownego uruchamiania (D na Rys. 5-6).

Promiennik posiada także system chłodzenia, który umożliwia optymalne, automatyczne chłodzenie komory spalania przez 3 minuty.

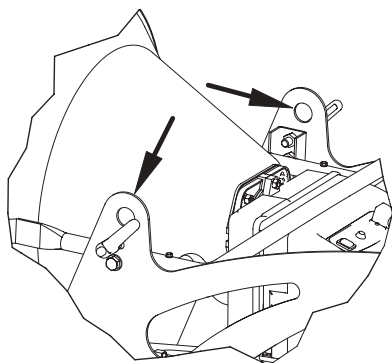
Przed ponownym uruchomieniem nagrzewnicy należy zidentyfikować i usunąć przyczynę, która spowodowała wyłączenie palnika.

## PRZEMIESZCZANIE I TRANSPORT

**OUWAGA:** Przed przystąpieniem do podnoszenia lub przemieszczania nagrzewnicy należy sprawdzić, czy zakrętki zbiornika paliwa (F i H na Rys. 3) są mocno dokręcone.

### TRANSPORT

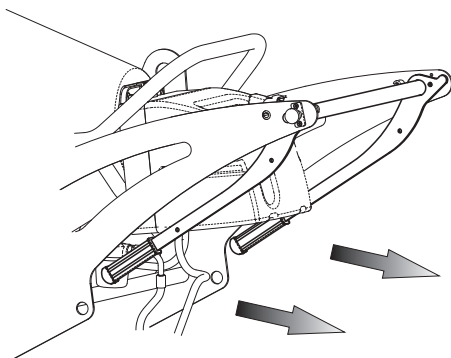
Promiennik można z łatwością przesuwac i ustawić w pozycji podniesionej dzięki mechanizmowi śrub oczkowych (B Rys. 3 lub Rys. 7). Dzięki temu jest możliwe dopasowanie najlepszej pozycji do ocieplania, odmrażania i osuszania.



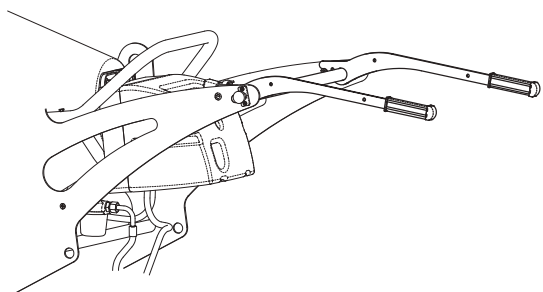
Rysunek 7 - Zaczep transportowy

### PRZEMIESZCZANIE

Posiadana nagrzewnica może być wyposażona w obrotowe tylne kółko (G na Rys. 3). W takim przypadku, - jeśli pozwala na to materiał, którym wyłożona jest podłoga - nagrzewnicę można przemieścić, popychając ją podobnie jak wózek. Jeśli nagrzewnica nie jest wyposażona w obrotowe tylne kółko, należy odblokować zawias (P na Rys. 4), umieszczony na jednym z bocznych wsporników nagrzewnicy. Przesunąć uchwyty z położenia spoczynkowego (Rys. 8) w położenie transportowe (Rys. 9). Unieść nagrzewnicę, tak aby spoczywała jedynie na dwóch przednich kółkach i przemieścić ją w żądane miejsce.



Rysunek 8 - Uchwyty w położeniu spoczynkowym, nagrzewnica



Rysunek 9 - Uchwyty w położeniu transportowym, nagrzewnica

**OSTRZEŻENIE:** Przed rozpoczęciem konserwacji należy: zatrzymać maszynę zgodnie z instrukcją podaną w paragrafie „WYŁĄCZANIE NAGRZEWNICY”; odłączyć od źródła prądu i poczekać, aż promiennik będzie chłodny.

## HARMONOGRAM KONSERWACJI

**OSTRZEŻENIE:** Przed rozpoczęciem konserwacji należy: zatrzymać maszynę zgodnie z instrukcją podaną w paragrafie „WYŁĄCZANIE NAGRZEWNICY”; odłączyć od źródła prądu i poczekać, aż promiennik będzie chłodny.

Instrukcja w tym paragrafie dotyczy czasu pomiędzy przeglądami eksploatacyjnymi uzależnionymi od czystości paliwa i typu otoczenia w jakim promiennik jest używany - czas podany jest dla dobrze wentylowanego otoczenia przy małej ilości kurzu i użyciu czystego paliwa.

Co 50 godzin użytkowania należy:

- Rozebrać przyłączony zasobnik (patrz „CZYSZCZENIE FILTRA PALIWA”) wyciągnąć i przeczyszczyć zasobnik.

Co 200 godzin użytkowania należy:

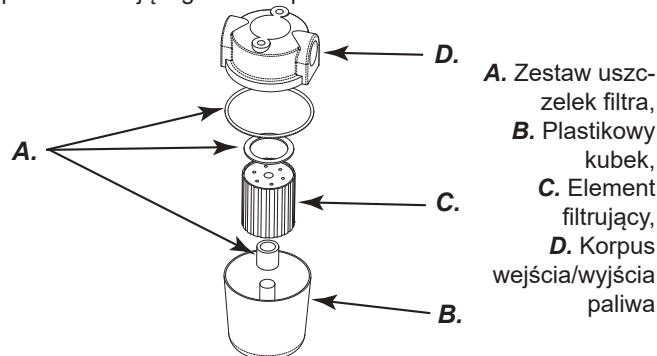
- Rozebrać filtr pompy (patrz „CZYSZCZENIE FILTRA POMPY”) wyciągnąć i przeczyszczyć.

Co 300 godzin użytkowania należy:

- Rozebrać palnik i przeczyszczyć wnętrze tuby palnika, tarczę płomienia, elektrody regulacyjne, a jeśli potrzeba ich rozstaw (patrz: „CZYSZCZENIE PALNIKA”).

### CZYSZCZENIE FILTRA PALIWA

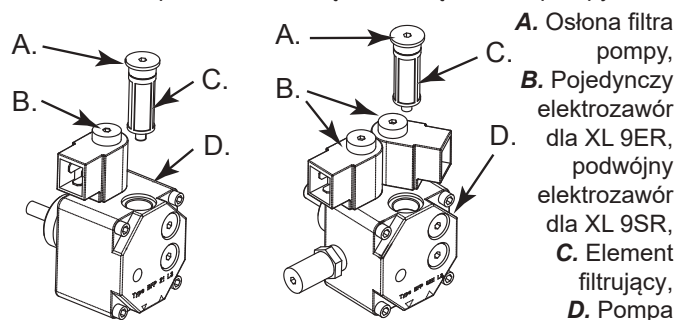
- Odkręcić plastikowy kubek i wyjąć wkład filtra.
- Dokładnie oczyścić wkład przy użyciu benzyny.
- Umieścić z powrotem wkład filtra i wkręcić kubek w korpus filtra paliwa zasilającego układ spalania.



Rysunek 10 - Filtr nagrzewnicy

### CZYSZCZENIE FILTRA POMPY

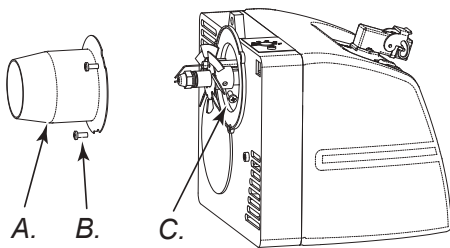
- Zdemontować obudowę palnika, (F. Rys. 5), by dotrzeć do pompy palnika (O Rys. 6).
- Odkręcić osłonę (A Rys. 11) mocującą filtr na pompie.
- Wyjąć filtr (C Rys. 11) z obudowy.
- Wyczyścić go dokładnie olejem opałowym lub napędowym.
- Zamontować powtórnie i dokręcić osłonę filtra do pompy.



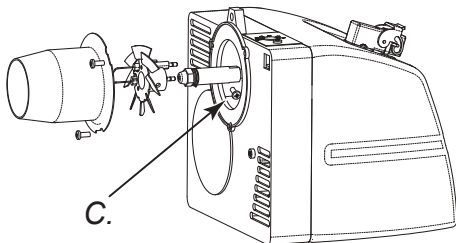
Rysunek 11 - Pompy palnika

**CZYSZCZENIE PALNIKA**

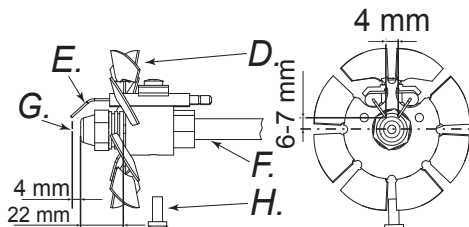
- Wykręcić śrubę (H na Rys. 5) mocującą palnik (A na Rys. 3) w komorze spalania.
- Wyciągnąć palnik z komory spalania (Rys. 3).
- Wykręcić trzy wkręty (B na Rys. 12) mocujące rurę palnika (A na Rys. 12).
- Zdjąć rurę.
- Wykręcić śrubę (C na Rys. 13) mocującą zespół tarczy do elektrod ogniowych i wyjąć uchwyt dyszy (F Rys. 14).
- Oczyszczyć tarczę płomieniową (D na Rys. 14) i elektrody (E na Rys. 14).
- Wykręcić dyszę (G na Rys. 14) z uchwytu dyszy (F na Rys. 14), oczyścić lub w razie potrzeby wymienić dyszę.
- Wkręcić dyszę (G na Rys. 14) w uchwyt dyszy.
- Zamontować z powrotem dysk palnika, zwracając uwagę na zachowanie właściwych odległości, jak pokazano na (Rys. 14).



Rysunek 12 - Demontaż palnika

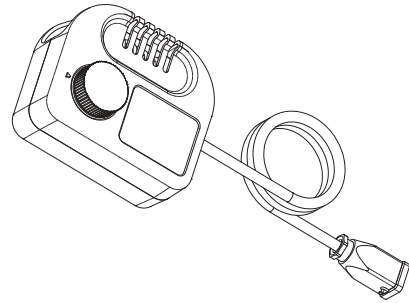
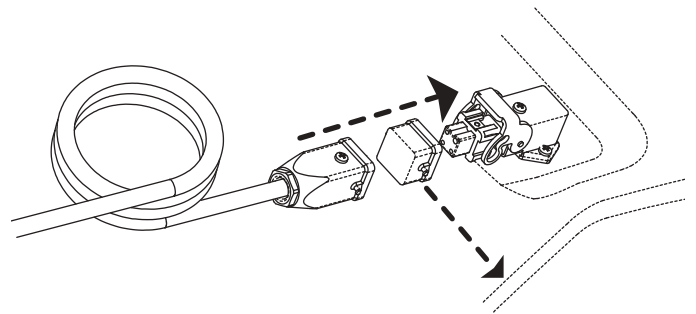


Rysunek 13 - Dysk palnika

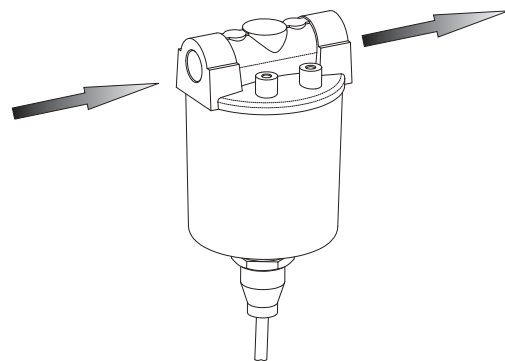
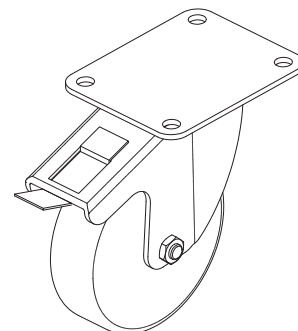


Rysunek 14 - Odległości elektrod od dyszy

A. Tuba palnika, B. Śruba tuby palnika, C. Śruba dysku palnika, D. Tarcza płomieniowa, E. Elektrody, F. Rura, G. Dysza, H. Śruba

**AKCESORIA****TERMOSTAT****PODŁĄCZANIE URZĄDZENIA STERUJĄCEGO**

**UWAGA:** Przed rozpoczęciem konserwacji należy: zatrzymać maszynę zgodnie z instrukcją podaną w paragrafie „WYŁĄCZANIE NAGRZEWNICY”; odłączyć od źródła prądu i poczekać, aż promiennik będzie chłodny.

**FILTR WSTĘPNE PODGRZEWAJĄCY PALIWO****KÓŁKO OBROTOWE Z HAMULCEM**

## USTERKI I ICH PRAWDOPODOBNE PRZYCZYNY

**OSTRZEŻENIE:** Przed przystąpieniem do wykonywania jakichkolwiek czynności naprawczych należy wyłączyć nagrzewnicę, postępując zgodnie ze wskazówkami zamieszczonymi w punkcie zatytułowanym „WYŁĄCZANIE NAGRZEWNICY”; odłączyć nagrzewnicę od źródła zasilania, wyjmując wtyczkę przewodu zasilającego z gniazdka ściennego; odczekać, aż nagrzewnica ostygnie.

USTERKA	PRAWDOPODOBNA PRZYCZYNA	SPOSÓB NAPRAWY
Nagrzewnica wyłącza się przy zapalonym płomieniu. Przycisk ponownego uruchamiania (D na Rys. 5-6) włączony	<ol style="list-style-type: none"> <li>1. Przerwa w obwodzie fotorezystora lub zabrudzenie fotorezystora sadzą</li> <li>2. Brudna komora spalania</li> <li>3. Uszkodzony układ regulatora płomienia</li> <li>4. Zabrudzona tarcza lub rura płomieniowa (na Rys. 12, 13, 14)</li> </ol>	<ol style="list-style-type: none"> <li>1. Oczyszczyć lub wymienić fotorezystor</li> <li>2. Zdemontować przedni deflektor i oczyścić wnętrze komory spalania</li> <li>3. Wymienić układ regulatora płomienia</li> <li>4. Zdemontować i oczyścić</li> </ol>
Nagrzewnica wyłącza się, wytryskując paliwo bez zapalenia płomienia. Przycisk ponownego uruchamiania (D na Rys. 5-6) włączony	<ol style="list-style-type: none"> <li>1. Usterka w instalacji elektrycznej</li> <li>2. Odłączony lub uszkodzony transformator zapłonowy (M na Rys. 6)</li> <li>3. Zwarcie uzwojenia transformatora zapłonowego z masą</li> <li>4. Niewłaściwe ustawienie odległości elektrod</li> <li>5. Zwarcie elektrod do masy, spowodowane ich zabrudzeniem lub uszkodzeniem izolacji</li> </ol>	<ol style="list-style-type: none"> <li>1. Sprawdzić całą instalację elektryczną nagrzewnicy</li> <li>2. Wymienić</li> <li>3. Wymienić</li> <li>4. Ustawić właściwą odległość elektrod (na Rys. 14)</li> <li>5. Oczyszczyć lub, w razie potrzeby, wymienić elektrody</li> </ol>
Z dyszy nagrzewnicy nie jest wytryskiwane paliwo i nagrzewnica wyłącza się. Przycisk ponownego uruchamiania (D na Rys. 5-6) włączony	<ol style="list-style-type: none"> <li>1. Fotokomórka reaguje na silne źródło światła</li> <li>2. Brak fazy w zasilaniu silnika elektrycznego</li> <li>3. Brak dopływu paliwa do pompy</li> <li>4. Brak paliwa w zbiorniku</li> <li>5. Zatkana dysza</li> </ol>	<ol style="list-style-type: none"> <li>1. Prosimy ustawić urządzenie, tak by źródło światła nie padało na przedni deflektor</li> <li>2. Sprawdzić instalację elektryczną</li> <li>3. Sprawdzić przewody paliwowe (D na Rys. 3)</li> <li>4. Napelnić zbiornik paliwem</li> <li>5. Oczyszczyć lub wymienić dyszę</li> </ol>
Palnik nie uruchamia się	<ol style="list-style-type: none"> <li>1. Urządzenie sterujące (termostat lub regulator czasowy) jest włączone</li> <li>2. Zwarcie w obwodzie fotorezystora (T na Rys. 6)</li> <li>3. Zanik napięcia zasilającego, spowodowany wyłączeniem wyłącznika (4) lub wyłączeniem się głównego wyłącznika w wyniku zaniku napięcia sieciowego</li> <li>4. Nieprawidłowa instalacja urządzenia sterującego (termostatu lub regulatora czasowego)</li> <li>5. Uszkodzenie w układzie regulatora płomienia</li> <li>6. Przepalony bezpiecznik umieszczony pod osłoną palnika</li> </ol>	<ol style="list-style-type: none"> <li>1. Zwiększyć nastawę urządzenia sterującego</li> <li>2. Wymienić</li> <li>3. Wyłączyć instalację elektryczną, po czym wyłączyć wyłączniki lub poczekać na przywrócenie zasilania elektrycznego</li> <li>4. Sprawdzić prawidłowość wykonania instalacji w oparciu o schemat połączeń elektrycznych</li> <li>5. Wymienić</li> <li>6. Wymienić (F na Rys. 5)</li> </ol>
Płomień nie pali się we właściwy sposób, czuć nieprzyjemny zapach, widoczny jest czarny dym lub płomień wydobywające się z przedniego deflektora	<ol style="list-style-type: none"> <li>1. Niskie ciśnienie rozpylania</li> <li>2. Zbyt mała ilość powietrza potrzebnego do spalania</li> <li>3. Zatkanie dyszy spowodowane zabrudzeniem lub długim użytkowaniem</li> <li>4. Woda w paliwie. Niska jakość paliwa</li> <li>5. W zbiorniku kończy się paliwo</li> </ol>	<ol style="list-style-type: none"> <li>1. Przywrócić prawidłową wartość ciśnienia</li> <li>2. Zwiększyć ilość powietrza potrzebnego do spalania</li> <li>3. Oczyszczyć lub wymienić dyszę</li> <li>4. Spuścić paliwo za pomocą rurki spustowej (M na Rys. 4)</li> <li>5. Ponownie napełnić zbiornik</li> </ol>

## SATURA RĀDĪTĀJS

1. PAR PRODUKTU
1. IZŅEMĒANA NO IEPAKOJUMA
2. DROŠĪBAS INFORMĀCIJA
3. PRODUKTA IDENTIFIKĀCIJA
4. DEGVIELA
4. DARBĪBAS PRINCIPI
4. EKSPLUATĀCIJAS INSTRUKCIJAS
4. DROŠĪBAS IERĪCE
4. PĀRVIETOĒANA UN TRANSPORTĒĒANA
5. PROFILAKTISKAIS REMONTS
6. PIEDERUMI
7. KĻŪMES UN TO IESPĒJAMIE CĒĻOŅI

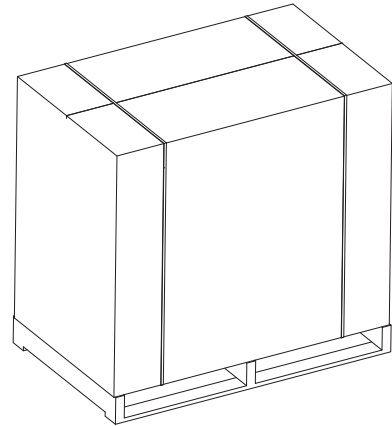
## PAR PRODUKTU

XL 9 ir karstā gaisa ģenerators, kas darbojas uz izstarošanas principa. Siltuma izstarošanas tehnoloģija balstās uz tiem pašiem fizikas principiem, kuri ir saules izstarojuma siltuma pamatā. Saule silda iermeņus nevis ar siltā gaisa plūsmu, bet izstarojuma vidējiem. Ģī siltuma izstarošanas metode kdūst arvien populārāka profesionālo lietotāju vidū, jo tā sniedz vairākas priekšrocības. XL 9 tika izstrādāts, pamatojoties uz jau minēto fizikas principu, un ir jau kdūvis neaizvietojams vidē, kur ir nepieciešams pastāvīgs un vienmērīgs karstuma avots siltumam, atsaldēšanai vai nosusināšanai. Pie tam, karstuma izstarotājs darbojas daudz klusāk nekā parastie sildītāji, līdz ar to nav jāpielāgojas viņa troksnim. Ģenerators ir aprīkots ar gumijas riteņiem, kas atvieglo tā pārvietošanu, kā arī skrūvju cilpām, kuras ļauj pacelt ģeneratoru vajadzīgajā augstumā. Ģeneratoram ir uzlabota autonomija un automātiskās darbības režīms ar termostatu, kas sniedz tā operatoram plašas iespējas variēt ar darba režīmiem. Degvielas tvertnei ir ārējais degvielas līmeņa indikators, kas ļauj savlaicīgi ieraudzīt, kad ir nepieciešams to papildināt. "SR" modelim ir uzstādīta dubultas jaudas ierīce, kas ļauj efektīvi izmantot ģeneratoru dažādos apstākļos un dažādos gada laikos.

## IZŅEMSANA NO IEPAKOJUMA

### IZŅEMSANA

- Izņemiet balstus, ar kuru palīdzību agregāts tika iepakots (1 Zīmējums).
- Atveriet kastes augšpusi. Izņemiet kartonu.
- Izņemiet balstus, ar kuriem ģenerators tika stiprināts pie paletes (2 Zīmējums).
- Vēlīgi noņemiet ģeneratoru no paletes.
- Iepakojuma materiālus izmetiet ārā, ievērojot vietējās atkritumu pārstrādes normas.
- Pārbaudiet, vai transportēšanas laikā ģenerators netika bojāts.
- Ja bojājumi tika atrasti, nekavējoties informējiet tos cilvēkus, no kuriem Jūs to nopirkāt.

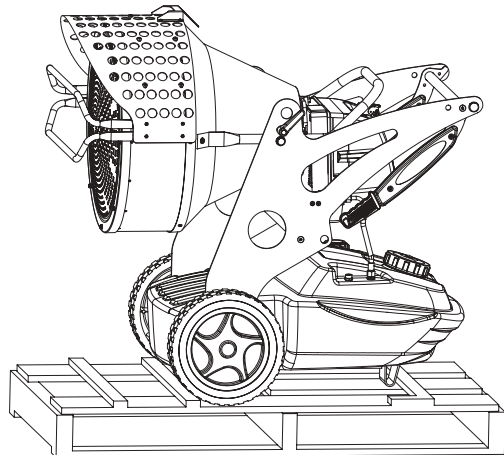


1 Zīmējums - Iepakojumā

### IEPAKOJUMA UN UZGLABĀSANA

Gadījumos, kad ģenerators ir jāpārvieto tā uzglabāšanas vietā vai uz remontu, kā arī, ja transportēšanas laikā tas tika bojāts, ir jārikojas šādi:

- Vispirms, pārbaudiet visu iekārtu, vai tā nav bojāta, it īpaši tas attiecas uz degvielas padeves sistēmām. Izlejiet degvielas pārpalikumus no degvielas tvertnes.
- Ja ģenerators tiks pārvietots tālākai uzglabāšanai, novietojiet to uz tās pašas paletes, uz kuras tas tika Jums piegādāts vai arī uz kādas citas EPA eiro-paletes.
- Noenkurojiet ģeneratoru uz paletes (2 Zīmējums).
- Tādos apstākļos, kur tas iespējams, pārklājiet to ar kartona iepakojumu tā, lai iepakojums pārklātu arī paleti un noenkurojiet arī to, izmantojot piemērotus materiālus (1 Zīmējums).
- Iekārtu glabājiet piemērotā, sausā vietā un nekraujiet virsū vairāk, kā vienu virs otru. Pārvietojiet ģeneratoru iepakotu tā, kā parādīts 1 Zīmējumā vai vismaz tā, kā parādīts 2 Zīmējumā.



2 Zīmējums - Uz paletes

## DROSĪBAS INFORMĀCIJA

### BRĪDINĀJUMS



**SVARĪGI:** Šī gaisa sildītājs ir izstrādāts mobilam un īslaicīgam profesionālajam pielietojumam. Tas nav paredzēts lietošanai mājāsaimniecībā apsildei cilvēku ērtībām.

**SVARĪGI:** Uzmanīgi izlasiet visas instrukcijas pirms sāksiet iekārtas ekspluatāciju vai tehnisko apkopi. Ēenerators nepareiza lietošana var izraisīt nopietnus miesas bojājumus: tādus kā apdegumi ugunsgrēka vai sprādziena gadījumā, elektriskais šoks, nosmakšana no tvana gāzes.

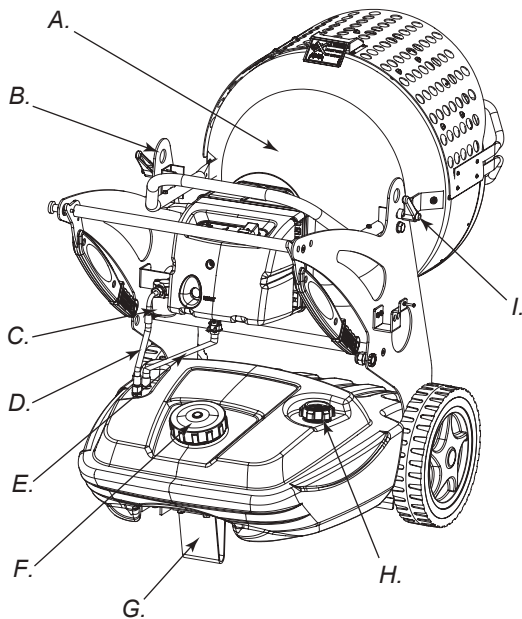
**BĪSTAMI:** Tvana gāzes iedarbība var izraisīt nāvi.

Nosmakšana tvana gāzes iedarbības rezultātā: pirmie nosmakšanas simptomi ir līdzīgi gripai, galvas sāpēm, reibonim, nelabai dūdu. Tādi simptomi var parādīties, ja ģenerators strādā nepareizi. Ja tas tā notiek, nekavējoties izejiet ārā svaigā gaisā! Salabojiet ģenerators. Tikai pēc tam palaidiet to no jauna. Daži cilvēki ir jutīgāki pret tvana gāzes iedarbību, nekā citi. Tas sevī attiecas uz sievietēm stāvoklī, cilvēkiem, kas cieš no sirds un plaušu slimībām, vai mazasinības; kā arī uz tādām, kuri atrodas alkohola reibumā vai, strādājot, atrodas lielos augstumos. Pārliedzinieties, ka esat sapratuši visus norādījumus un brīdinājumus. Saglabājiet šīs instrukcijas nākamajam reizēm: tajās Jūs atradīsiet visu nepieciešamo informāciju par ģenerators drošību un pareizu ekspluatāciju.

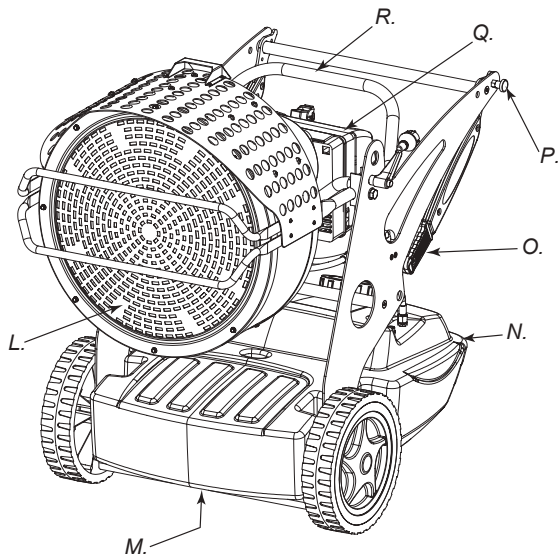
- Lai samazinātu sprādzieni vai ugunsgrēku risku, izmantojiet tikai petroleju vai dīzeli. Nekādā gadījumā nelietojiet benzīnu, ligroīnu, krāsu dīdinātājus, spirtu vai citas viegli uzliesmojošas vielas.
- Degvielas tvertnes uzpildīšana:
  - a) Darbiniekiem, kuri nodarbojas ar degvielas uzpildīšanu ir jābūt attiecīgi sagatavotiem un iepazīstinātiem ar darba kārtību un vietējām valsts normām attiecībā uz drošību siltuma ģenerators ekspluatāciju.
  - b) Lietojiet tikai to degvielas veidu, kurā ir viennozīmīgi norādīts uz ģenerators identifikācijas plātni.
  - c) Pirms sākt degvielas tvertnes uzpildīšanu, pārliedzinieties, ka tuvumā nav atklātas liesmas avotu, nedeg strāvas indikatoru un ģenerators ir atdzisis.
  - d) Uzpildot degvielas tvertni, pārbaudiet visus degvielas padeves savienojumus, vai nav noplūdes. Visas noteiku vietas ir jāsalabo pirms ģenerators palaišanas.
  - e) Nekādā gadījumā neglabājiet ģenerators tuvumā un pat tajā pašā laikā vairāk, nekā vienai darba dienai nepieciešamos degvielas uzkrājumus. Cisternas ar degvielas rezervēm ir jāglabā atsevišķā vietā.
  - f) Degvielas tvertņiem ir jābūt vismaz minimāli piedaujamajā attālumā no sildītāja (saskaņā ar vietējām normām), skābekļa/ūdeņraža degļiem/lodlampām, metināšanas iekārtām un līdzīgiem aizdedzes avotiem, izņemot sildītājā iebūvēto degvielas tvertni.
  - g) Degviela ir jāglabā telpās, kur grīda neiesūc iztecējušo vai izpilčušo degvielu un, kur nav zemāk novietotu liesmas avotu.
  - h) Jebkurā gadījumā ir jāievēro visas vietējās degvielas uzglabāšanas normas.

- Nekad nelietojiet sildītāju telpās, kur atrodas benzīns, krāsu dīdinātāji vai citas viegli uzliesmojošas vielas.
- Lietojot ģenerators, ievērojiet visas darba kārtības un vispārējās reglamentējošās normas.
- Ja sildītājus izmanto kādas lielas drānas, piemēram, aizkaru, tuvumā, ir jānodrošina drošs attālums starp sildītāju un tādām materiāliem. Par minimālo drošo attālumu ir uzskatāma.
- Ja sildītājus izmanto kādas lielas drānas, piemēram, aizkaru, tuvumā, ir jānodrošina drošs attālums starp sildītāju un tādām materiāliem. Par minimālo drošo attālumu ir uzskatāma distance, kas ir atrunāta vietējās valsts normās. Ir ieteicams izmantot ugunsdrošus materiālus. Tādi materiāli ir jānostiprina tādā veidā, lai tie nevarētu aizsniegties līdz sildītājam, piemēram, vāja brāzmas ietekmē.
- Sildītājus lietojiet tikai labi vādināmās telpās. Nodrošiniet, ka telpās ir atvere vādināšanai vai vismaz pietiekoša gaisa cirkulācija atbilstoši spēkā esošajām vietējām normām.
- Pieslēdziet ģenerators attiecīgajam spriegumam un frekvencei saskaņā ar norādījumiem identifikācijas plātni.
- Izmantojiet tikai trijzaru pagarinātājus.
- Par minimāli piedaujamo attālumu ir saprotams attālums saskaņā ar spēkā esošajām vietējām normām.
- Ģenerators novietojiet tā, lai tas, kamēr karsts vai darbojas, atrastos uz līdzenas un stabilas virsmas, lai nepiedautu ugunsgrēka izraisīšanos.
- Pārliedzinot ģenerators uz citu ekspluatācijas vai uzglabāšanas vietu, turiet to stingri vertikālā stāvoklī, lai nerastos degvielas noplūde.
- Nedāujiet bērniem un dzīvniekiem atrasties sildītāja tuvumā.
- Kad nelietojiet ģenerators, atvienojiet to no sprieguma.
- Ja sildītājam ir pieslēgta kāda vadības ierīce, piemēram, termostats vai taimeris, tas jebkurā brīdī var ieslēgties automātiski.
- Nekad nenovietojiet ģenerators dzīvojamās telpās.
- Vienmēr sekojiet tam, lai sildītājam nav aizbloķēta gaisa padeve vai ventilācijas atveres.
- Ģenerators nedrīkst ne pārliedzinot, ne uzpildīt ar degvielu, ne remontēt un vispār, veikt kādas citas darbības ar to, ja tas darbojas, ir karsts vai nav atslēgts no enerģijas avota.
- Pie pirmās degļa aizdedzināšanas ir iespējams, ka nāks dūmi: tas notiek tā dēļ, ka izvaiko organiskie materiāli (keramika) degšanas kamerā un pretkorozijas eļļa uz degļa. Pēc dažām minūtēm dūmi izzudīs.
- Darba laikā apkārtējās vides temperatūrai ir jābūt  $-30^{\circ}\text{C}$  -  $+40^{\circ}\text{C}$ .

## PRODUKTA IDENTIFIKĀCIJA

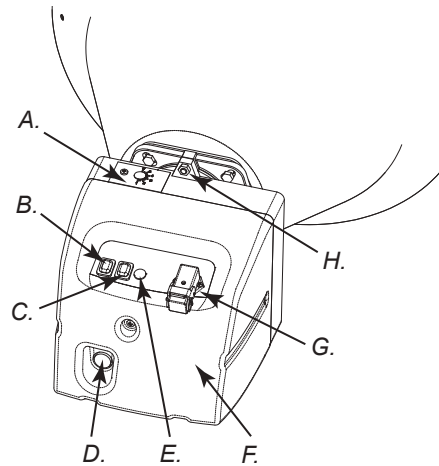


3 Zīmējums

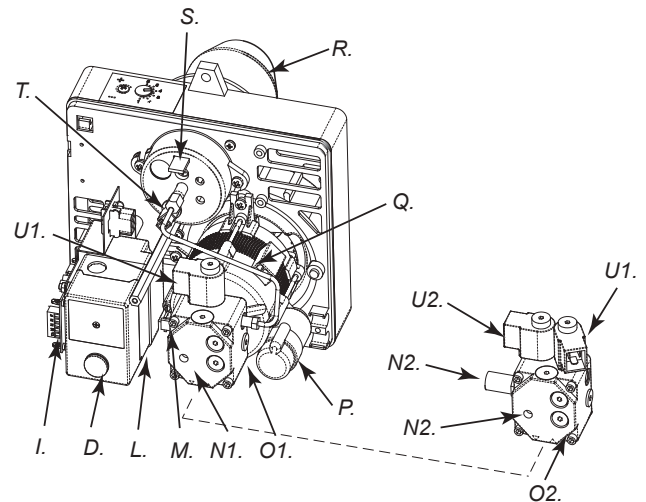


4 Zīmējums

**A.** Degšanas kamera, **B.** Caurums ģenerators paceldanai, **C.** Degvielas filtrs vai uzsildīšanas filtrs (opcija), **D.** Degvielas padeve, **E.** Degvielas atgriešana, **F.** Degvielas tvertnes vāks, **G.** Kājiņa vai ritenis (opcija), **H.** Degvielas līmeņa indikators, **I.** Degšanas vienību bloks, **L.** Atstarotājs, **M.** Degvielas novade, **N.** Degvielas tvertne, **O.** Rokturis ģenerators pārvietošanai, **P.** Viras bloks, **Q.** Deglis, **R.** Noliekuma regulators



5 Zīmējums - Vadības pogas



6 Zīmējums - Degda elementi

**A.** Ventilācijas atveres regulētājs, **B.** Ieslēgts/Izslēgts poga ar apgaismojumu, **C.** Ieslēgts/Izslēgts komutators atkarībā no izvācītās jaudas (XL 9SR), **D.** Atkārtotās palaišanas poga, **E.** Strāvas indikators, **F.** Degda kaste, **G.** Termostata kontaktligzda, **H.** Degda bloka skrūve, **I.** Sekundārās ventilācijas ierīce, **L.** Liesmas vadības ierīce, **M.** Transformators, **N1.** Sūkņa spiediena regulētājs (XL 9ER), **N2.** Sūkņa spiediena regulētājs (XL 9SR), **O1.** (XL 9ER) degvielas sūknis, **O2.** (XL 9SR) degvielas sūknis, **P.** Kondensators, **Q.** Motors, **R.** Degda caurule, **S.** Degšanas galviņas regulētājs, **T.** Foto rezistors, **U1.** Elektriskais vārsts: 1° liesmas solis (XL 9ER-SR), **U2.** Elektriskais vārsts: 2° liesmas solis (XL 9SR)

## DEGVIELA

**BRĪDINĀJUMS:** Ēenerators uzpildīšanai izmantojiet **TIKAI** petroleju vai dīzeļdegvielu.

Ja tiks izmantota degviela ar piemaisījumiem, var:

- Tikt nobloīkti degšanas filtrs vai sprausla.
- Uzkrāties oglekļa nogulas uz elektrodiem.

Pie zemām temperatūrām izmantojiet netoksisko antifrīzu.

## DARBĪBAS PRINCIPI

Degšanas procesam nepieciešamā ventilācija tiek nodrošināta ar deglī iebūvēto ventilatoru. Gaiss iziet pa degļa uznavu un savienojas ar degvielu, kas tiek izsmidzināta zem augsta spiediena caur sprauslu. Degviela tiek sūkņota no degvielas tvertnes ar rotora sūkni, kas virza degvielu zem spiediena līdz sprauslai, kura to tālāk izsmidzina ārā.

## EKSPLUATĀCIJAS INSTRUKCIJAS

**BRĪDINĀJUMS:** Pirms mēģināt palaist ģenerators darbā un, tātad, arī pieslēgt enerģijas avotam, pārliedzieties, ka izmantojamā barošanas tīkla parametri atbilst norādītajiem ģenerators identifikācijas plātnē.

### ĢENERATORS PALAIĀNANA


1. Sekojiet visiem drošības norādījumiem.
2. Uzpildiet degvielas tvertni ar petroleju vai dīzeļdegvielu.
3. Aiztaisiet ciet degvielas tvertnes vāku.
4. Ieslēdziet barošanas vadu sienas rozetē ar attiecīgo iezemējumu: pārliedzieties, ka tīkla spriegums atbilst norādītajam ģenerators identifikācijas plātnē.

### PALAIŠANA BEZ TERMOSTATA


#### • XL 9ER

Noregulējiet pārslēgu (B Zīmējums 5) pozīcijā ON/ Ieslēgts (I). Sākas ventilācija un, apmēram, pēc 10 sekundēm uzsākas degšanas process.

#### • XL 9SR

**BRĪDINĀJUMS:** Pirms ģenerators palaišanas darbā pārliedzieties, ka poga (B Zīmējums 5) atrodas pozīcijā .

Noregulējiet pārslēgu (B Zīmējums 5) pozīcijā ON/ Ieslēgts (I). Sākas ventilācija un, apmēram, pēc 10 sekundēm uzsākas degšanas process.

Maksimālai jaudai pārslēdziet pārslēgu (C Zīmējums 5) pozīcijā .

### PALAIŠANA AR TERMOSTATU

Noregulējiet vadības ierīces termostatu vai taimeru) tā, lai netraucētu ģenerators darbību.

**BRĪDINĀJUMS:** Automātiskajā režīmā ģenerators var darboties **TIKAI** tad, ja tam ir pieslēgta attiecīga vadības ierīce, termostats vai taimeris. Lai pareizi pieslēgtu vadības ierīci ģenerators, sekojiet norādījumiem sadaļā „ELEKTRISKO SAVIENOJUMU SCHEMA”.

Pirms iekārtas palaišanas darbā vai pēc tam, kad tika līdz galam iztukšota degvielas tvertne, degvielas pieplūde līdz sprauslai no sākuma būs nepietiekama un ievērosies drošības ierīce, kas vada liesmu (skatīties sadaļu „DROŠĪBAS IERĪCE): tā apstādinās ģenerators. Ja tas tā notiek, uzgaidiet kādu minūti un nospiediet atkārtotās palaišanas pogu RESET (D Zīmējums 5 un 6), lai vēlreiz ieslēgtu ģenerators.

Ja tomēr iekārta nestrādā, rīkojieties šādi:

1. Pārliedzieties, ka degvielas tvertne (N Zīmējums 4) ir degviela.
2. Nospiediet atkārtotās palaišanas pogu (C Zīmējums 5 un 6). Ja arī pēc tam ģenerators nesāk strādāt, pārskatiet sadaļu “KĻŪMES UN TO IESPĒJAMIE CĶĻŌNI”, lai noskaidrotu situāciju.

**BRĪDINĀJUMS:** Pirms otrās degļa aizdegināšanas (liesma bija nodzisis un ģenerators nebija karsts), pārbaudiet skrūvju (L Zīmējums 4), kas stiprina ārējo atstarotāju, savilkumu.

**BRĪDINĀJUMS:** Elektriskajam tīklam, kas baro ģenerators, ir jābūt iezemētam un aprīkotam ar diferencēto termomagnētisko komutatoru. Ģenerators vads ir jāslēdz pie kontaktligzdas, kura ir aprīkota ar slēdzi.

### ĢENERATORS IZSLĒGŠANA

Noregulējiet pārslēgu (B Zīmējums 5) pozīcijā OFF/ Izslēgts (0) vai izslēdziet vadības ierīci (termostatu vai taimeru), ja tāda ir pievienota. Liesma izzudīs, bet ventilators turpinās strādāt, kamēr būs pabeigts sekundārās ventilācijas cikls (iekārtas atdzesēšana).

**BRĪDINĀJUMS:** Pagaidiet, kamēr tiks pabeigts sekundārās ventilācijas cikls un tikai tad izvēlieties barošanas vadu ārā no rozetes (atdzesēšana ilgst ap 3 minūtēm).

## DROŠĪBAS IERĪCE

Ģenerators ir aprīkots ar drošības ierīci (L Zīmējums 6), kas paredzēta liesmas vadībai. Ja ģenerators ekspluatācijas laikā notiek kāda neparedzēta darbība, ierīce nobloķē degli un iedegas atkārtotās palaišanas poga (D Zīmējums 5 un 6).

Ģeneratoram ir arī sekundārās ventilācijas ierīce, kas nodrošina automātisku degšanas kameras atdzesēšanu apmēram 3 minūšu laikā. Pirms slēgt ģenerators atpakaļ, noskaidrojiet iemeslu, kura dēļ degšana tika nobloķēta.

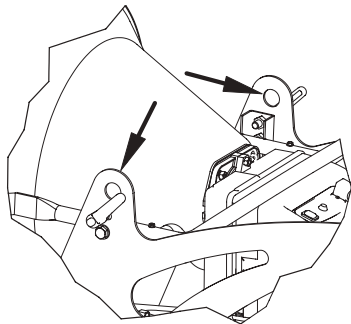
## PĀRVIETOSANA UN TRANSPORTESANA

**PIEZĪME:** Pirms iekārtas pacelšanas vai pārvietošanas pārliedzieties, ka degvielas tvertnes vāciņi (F un H, Zīmējums 3) ir ciedi noslēgti.

### TRANSPORTESANA

Ģenerators ir viegli pārvietot, un to var nofiksēt paceltā stāvoklī ar mehānismu (B Zīmējums 3 un 7). Mehānisms atļauj iestatīt sildītāju vispiemērotākajā stāvoklī priekš sildīšanas, atsaldēšanas, vai tvaicēšanas.

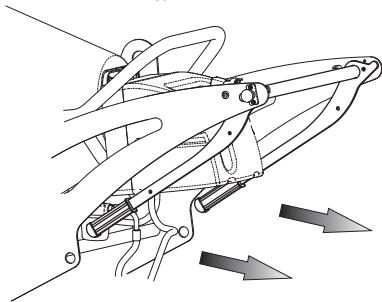




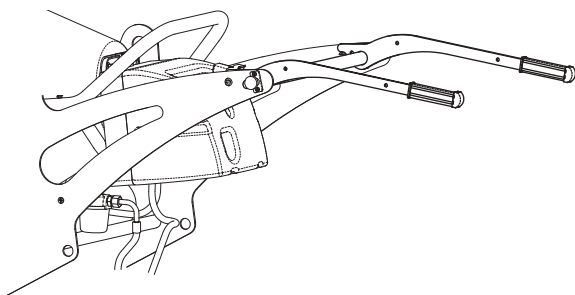
7 Zīmējums - Aizieres iekārtas pacelšanai

### PĀRVIETOŠANA

Pirms iekārtas pārvietošanas vai pacelšanas pārliecinieties, ka ir aiztaisīti ciet degvielas tvertnes vāki (G Zīmējums 3). Ēeneratoram ir jābūt aprīkotam ar riteņiem, lai to varētu stumt kā ratus. Gadījumā, ja riteņu nav, ir jāatbloķē vira (P Zīmējums 4), kas atrodas uz viena no aizmugurējiem balsteņiem. Pagrieziet rokturus no „stāvšanas pozīcijas,” (8 Zīmējums) „transportācijas pozīcijā” (9 Zīmējums). Paceliet ēeneratoru tā, lai tas balstītos uz diviem ārējiem riteņiem.



8 Zīmējums - Rokturi ir salikti, „stāvšanas pozīcijā”



9 Zīmējums - Rokturi ir pacelti, „transportācijas pozīcijā”

**BRĪDINĀJUMS:** Pirms sākt pārvietot iekārtu: izslēdziet to, ievērojot sadaļas „ĒENERATORA IZSLĒGŠANA” norādījumus, atvienojiet no enerģijas avota, atvienojot vadu no kontaktligzdas un uzgaidiet, kamēr ēenerators atdzisis.

## PROFILAKTISKAIS REMONTS

**BRĪDINĀJUMS:** Pirms remonta: izslēdziet to, ievērojot sadaļas „ĒENERATORA IZSLĒGŠANA” norādījumus, atvienojiet no enerģijas avota, atvienojot vadu no kontaktligzdas un uzgaidiet, kamēr ēenerators atdzisis.

Īs saraksts rekomendācijas attiecībā uz profilaktiskās apskates grafiku būtībā ir orientjošas, jo viss ir doti atkarīgs no tā, cik tīra ir izmantojamā degviela un vides, kurās darbojas ēenerators: rekomendācijas ir sniegtas, pieņemot, ka ēenerators darbojas labi vedināmās telpās ar zemu putekļu koncentrāciju un tiek izmantota tīra degviela.

Pēc katrām 50 ekspluatācijas stundām:

- Noņemiet kartridžu (skatīties sadaļu „DEGVIELAS FILTRA TĪRĪŠANA”), izņemiet to ārā un iztīriet.

Pēc katrām 200 ekspluatācijas stundām:

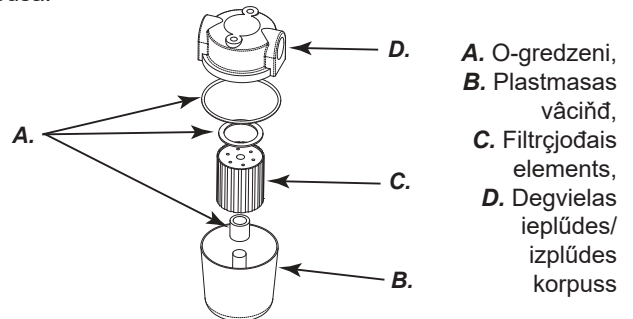
- Noņemiet sūkņa filtru (skatīties sadaļu „SŪKŅA FILTRA TĪRĪŠANA”), izņemiet to ārā un iztīriet.

Pēc katrām 300 ekspluatācijas stundām:

- Noņemiet degļi un iztīriet degļa cauruli no iekšpuses, iztīriet liesmas disku un pārregulējiet attālumu starp elektrodiem, ja nepieciešams (skatīties „DEGĻA TĪRĪŠANA”).

### DEGVIELAS FILTRA TĪRĪŠANA

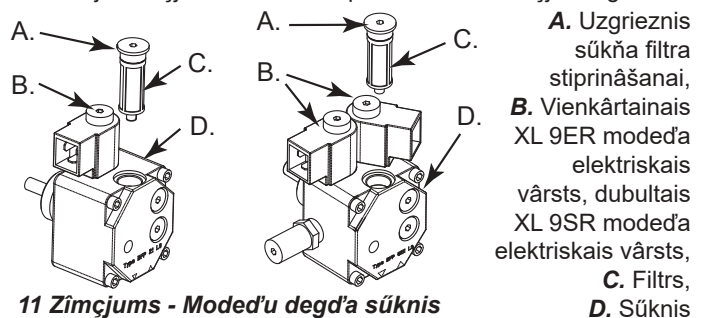
- Atskrūvējiet plastmasas vāciņu un izņemiet ārā filtrējošo elementu (kartridžu).
- Kārtīgi izmazgājiet to ar petroleju.
- Ievietojiet to atpakaļ un uzskrūvējiet vāciņu uz degšanas filtra korpusa.



10 Zīmējums - Filtrs

### SŪKŅA FILTRA TĪRĪŠANA

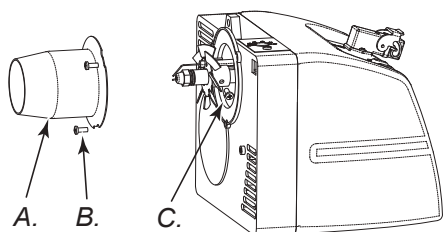
- Noņemiet degļa kastī (F Zīmējums 5), lai tiktu pie degļa sūkņa O (6 Zīmējums).
- Noskrūvējiet uzgriezni (A Zīmējums 11), kas piestiprina filtrējošo elementu pie sūkņa.
- Izņemiet filtrējošo elementu (C Zīmējums 11).
- Kārtīgi izmazgājiet ar petroleju.
- Ievietojiet filtrējošo elementu atpakaļ un uzskrūvējiet uzgriezni.



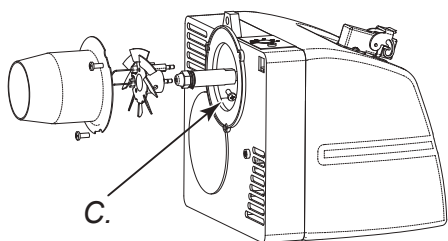
11 Zīmējums - Modēdu degļa sūknis

## DEGLA TĪRĪSANA

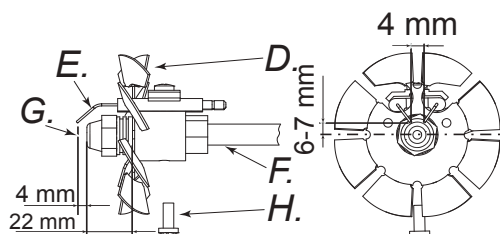
- Atskrūvējiet skrūvi (H Zīmējums 5), kas stiprina degli (A Zīmējums 3) degšanas kamerā.
- Izņemiet degli ārā (3 Zīmējums).
- Izskrūvējiet trīs skrūves (B Zīmējums 12), ar kurām ir stiprināta degļa caurule (A Zīmējums 12).
- Noņemiet cauruli.
- Izskrūvējiet skrūvi (C Zīmējums 13), ar kuru tiek stiprināti liesmas diska elektrodi un izvelciet sprauslas patronu (F Zīmējums 14).
- Izfīriet liesmas disku (D Zīmējums 14) un elektrodus (E Zīmējums 14).
- Noskrūvējiet sprauslu (G Zīmējums 14) nost no tās patronas (F Zīmējums 14), izfīriet to vai nomainiet, ja nepieciešams.
- Ielieciet sprauslu (G Zīmējums 14) atpakaļ patronā.
- Piemontējiet atpakaļ liesmas diska un elektrodu bloku, uzmanoties, lai starp elektrodiem ir noregulēts pareizs attālums (sk. 14 Zīmējumu).



12 Zīmējums - Degļa korpusa izjaukšana



13 Zīmējums - Liesmas diska un elektrodu bloka noņemšana

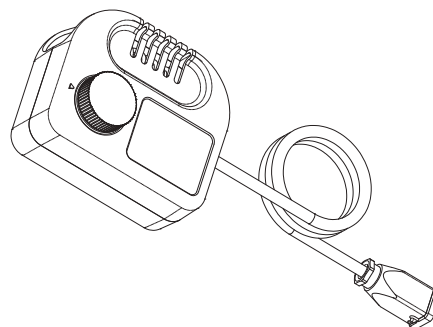


14 Zīmējums - Sprauslas un elektrodu attālumi

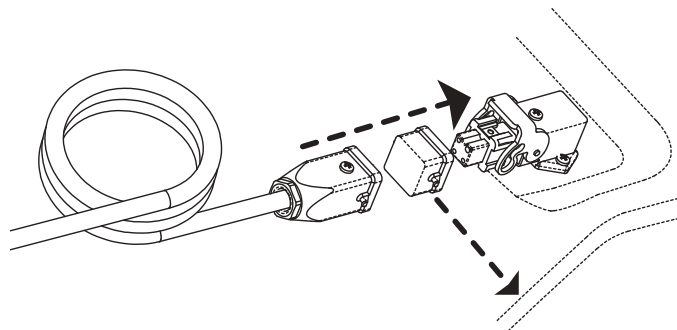
A. Degļa caurule, B. Degļa caurules skrūve, C. Screw Flame disk, D. Flame disk, E. Electrodes, F. Tube, G. Nozzle, H. Screw

## PIEDERUMI

### THERMOSTAT

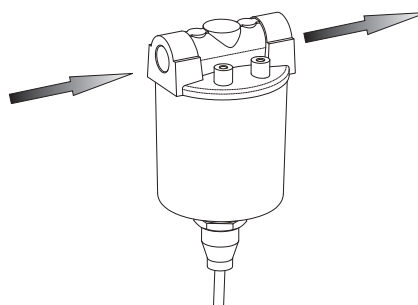


### DRODĪBAS IERĪCES SAVIENOSANA

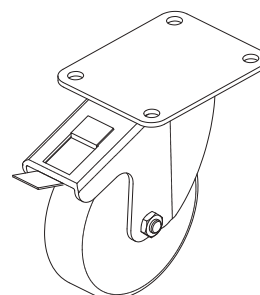


**BRĪDINĀJUMS:** Pirms uzsākt jebkuru tehniskās apkopes operāciju: izslēdziet iekārtu, ievērojot sadaļā „ĒENERATORA IZSLĒGŠANA” izklāstītos norādījumus; atvienojiet to no elektrības tīkla; uzgaidiet, kamēr ģenerators atdzīsis.

### UZSILDĪŠANAS FILTRS



### RITENIS AR BREMZČĀM





## SISUKORD

1. TOOTE TUTVUSTUS
1. LAHTIPAKKIMINE
2. PÕHILISED OHUTUSNÕUDED
3. TOOTE IDENTIFIKATSIOON
4. KÜTUS
4. KASUTUSTEooria
4. KASUTUSJUHISED
4. OHUTUSSEADE
4. LIIGUTAMINE JA TRANSPORT
5. ENNETAVATE HOOLDUSTÖÖDE AJAKAVA
6. TARVIKUD
7. RIKKED JA NENDE VÕIMALIKUD PÕHJUSED

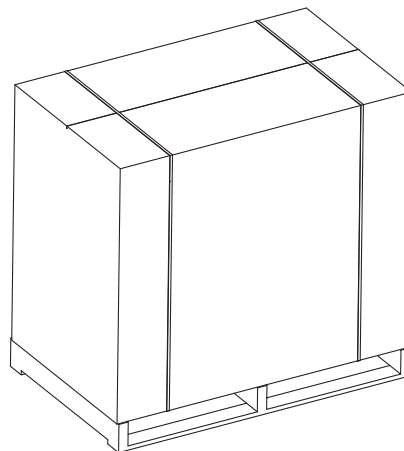
## TOOTE TUTVUSTUS

XL 9 on kiirguslik kuumusegeneraator. Kiirgustehnoloogia põhineb sarnasel füüsikaprintsiibil nagu päikesevalgus. Päike soojendab kehasid ilma sooja õhu vooluta, vaid kiirguslainete teel. Kiirgusmeetod on professionaalsete klientide seas väga populaarseks muutunud, kuna sellel on lugematul hulgal eeliseid. XL 9 töötati välja selle füüsikaprintsiibi alusel ning on saanud asendamatuks keskkondades, kus on soojuse, sulatamise ja kuivatamise jaoks tarvis püsivat ja ühtlast kuumaallikat. Lisaks tekitab see väga vähe müra, mistõttu on mugav töötada, ilma et peaks taluma heli, mida teist tüüpi küttekehad tavaliselt tekitavad. Generaatoril on kummist rattad, mis muudavad liigutamise hõlpsamaks, samuti saab seda tõsta ja seadistada rõngaspoltide abil teisele kõrgusele. Suurenenud autonoomia ja automaattermostaadifunktsioon tagavad, et kasutajal on maksimaalselt vabadust. Väline kütusepaagiindikaator võimaldab kergesti kontrollida, kas kütust on tarvis lisada. SR-mudelil on kahekordne toiteseade, mis võimaldab masinat erinevates tingimustes ja eri aastaaegadel tõhusamalt kasutada.

## LAHTIPAKKIMINE JA TARNIMINE

### LAHTIPAKKIMINE

- Eemaldage toed, mille abil toode on pakitud (Joonis 1).
- Avage karbi ülemine külg.
- Eemaldage selle pealt papp.
- Eemaldage toed, mis hoiavad generaatorit kaubaalusel (Joonis 2).
- Võtke küttekeha ettevaatlikult kaubaaluselt maha.
- Utiliseerige generaatori pakkimiseks kasutatud materjal vastavalt oma riigis kehtivatele riiklikele määrustele.
- Kontrollige, kas masinal on transpordi käigus tekkinud kahjustusi, ja kui masin on vigastatud, teavitage sellest kohe poodi, kust selle ostsite.

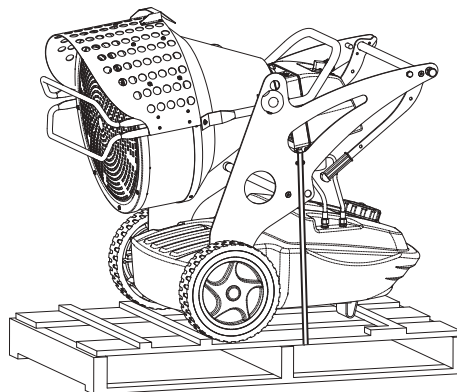


Joonis 1 - Mudeli tagantvaade

### TARNIMINE JA HOIDMINE

Kui soovite generaatori hoiule panna või sellel on transpordi käigus tekkinud ulatuslikud kahjustused või on tarvis seda remontida:

- Kontrollige kahjustust, eriti kui see võib põhjustada kütusekadu. Sellisel juhul tühjendage paak ülejäänud kütusest.
- Hoiulepanekuks asetage generaator samale kaubaalusele, millelt selle lahtipakkimisel võtsite, ning tagastamise jaoks pange see mis tahes sobivale EPA-kaubamärgiga euroalusele.
- Kinnitage generaator tugevalt kaubaaluse külge (Joonis 2).
- Võimalusel libistage papist pakend ülalt alla kaubaaluse peale ning kinnitage see sobiva materjali abil tugevalt (Joonis 1).
- Hoidke masinat sobivas kuivas kohas ning ärge pange rohkem kui kaht seadet üksteise peale virna. Toimetage generaator edasi eelistatult nii nagu näidatud Joonis 1 või vähemalt vastavalt Joonis 2.



Joonis 2 - Mudeli estvaade

## PÕHILISED OHUTUSNÕUDED

### HOIATUS



**TÄHTIS:** See õhukütteseade on mõeldud mobiilseteks ja ajutisteks professionaalseteks rakendusteks. See ei ole mõeldud kasutamiseks koduses keskkonnas ega inimeste soojusmugavusena.

**OLULINE TEAVE:** Enne kiirgus-õhusoojendi paigaldamist või hooldamist lugege kogu käesolev kasutusjuhend hoolikalt läbi. Kiirgus-õhusoojendi ebaõige kasutamine võib põletuste, tulekahju, plahvatuse, elektrilöögi või vingugaasimürgituse tagajärjel tekitada tõsiseid või surmavaid kehavigastusi.

**OHTLIK:** Vingugaasimürgitus võib olla surmav.

**VINGUGAASIMÜRGITUS** - Vingugaasimürgituse esmased nähud meenutavad gripinähte: tugev peavalu ja peapööritus, samuti liiveldus. Nimetatud nähud võivad olla põhjustatud kiirgus-õhusoojendi ebaõigest talitlusest. Seda tüüpi nähtude märkamise korral minge kohe ruumist välja värske õhu kätte! Viige soojendi remonti. Soojendit võib taaskäivitada alles pärast selle remontimist. Mõned inimesed tunnetavad vingugaasi tagajärgi tugevamalt - see puudutab eriti rasedaid ja neid, kes põevad vereringe- ja kopsuhaigusi, aneemiat, alkoholihoobes isikuid ning kõrgustes asuvaid isikuid.

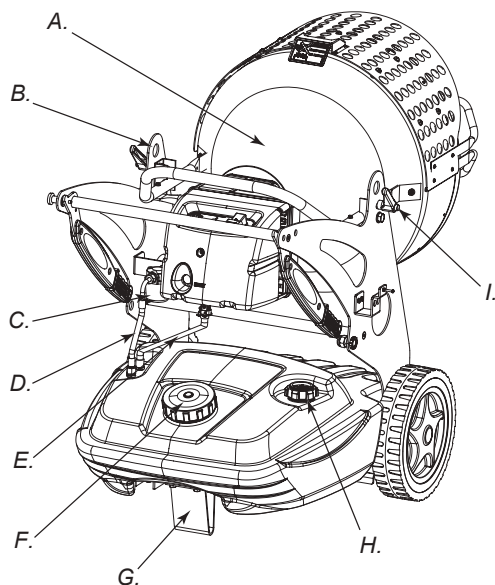
Lugege kõik hoiatused tähelepanelikult läbi ning veenduge, et olete neist aru saanud. Hoidke käesolev juhend alles: sellest leiata kiirgus-õhusoojendi ohutut ja õiget kasutamist puudutavaid näpunäiteid. Tulekahju- või plahvatusohu vähendamiseks kasutage soojendi kütusena ainult petrooli või diisli. Ärge kasutage kunagi bensiini, raskbensiini, värvilahusteid, alkoholi või muid kergsüttivaid kütuseid.

• Paagi täitmine:

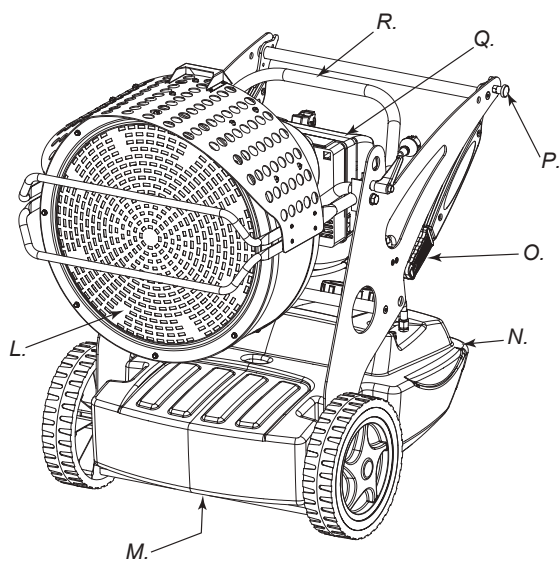
- Tankimisega tegelev personal peab olema saanud vastava väljaõppe ning olema teadlik kõigist tootjapoolsetest juhtnööridest ja kehtivatest seadusesätetest, mis puudutavad õhusoojendi ohutut kasutamist.
- Kasutage ainult soojendi identifitseerimistahvilil märgitud kütuseliiki.
- Enne paagi täitmist kustutage kõik leegid ja tuled, signaallamp kaasa arvatud, ning oodake, kuni soojendi maha jahtub.
- Tankides kontrollige kütusetorusid ja ühenduskohti, et avastada võimalikke lekkeid. Mis tahes avastatud leke tuleb enne seadme taaskäivitamist kõrvaldada.
- Mitte mingil juhul ei tohi samas hoones ja soojendi ligiduses hoida enam kui ühe päeva kütusevaru. Kütusemahutid peavad paiknema eraldi hoones.
- Kõik kütusemahutid peavad paiknema soojendist, atsetüleenhapniklõikepõletitest, keevitusseadmetest ja samalaadsetest süttimisallikatest (v.a soojendi sees paiknev kütusepaak) vähemalt 762 cm kaugusel.
- Kütust tuleb hoida kohtades, kus see ei saa mahavalgumise või torulekke tõttu pöranda kaudu läbi imbuda, kuna see võib põhjustada tulekahju.
- Kõik kütuse hoidmiseks kasutatavad ruumid ja mahutid peavad vastama kehtivatele seadusesätetele.
  - Ärge kasutage kiirgus-õhusoojendit kunagi ruumides, kus hoitakse bensiini, värvilahusteid või muid kergsüttivaid aineid.
  - Soojendi kasutamise ajal järgige kõiki kohalikke eeskirju ja kehtivaid seadusesätteid.

- Kangaste, eesriiete või muude suurepinnaliste materjalide ligiduses kasutatav soojendi peab paiknema neist ohutuskauguses. Ohutu miinimumkaugus on sätestatud soojendi kasutamise riigis. kehtivate asjaomaste eeskirjadega. Peale selle on soovitatav kasutada rasksüttivaid katematerjale. Nimetatud materjalid tuleb ohutult kinnitada, vältimaks nende süttimist tuuletõmbuse või –iili toimel.
- Kasutage soojendit vaid hästiventileeritud ruumides. Värske õhu juurdevoolu võimaldamiseks tuleb tagada vastava õhuava või õhuvahetussüsteemi olemasolu, mis vastab antud territooriumil kehtivates seadusesätetes kehtestatud nõuetele.
- Ühendage soojendi ainult niisugusesse elektrivõrku, mille pinge ja sagedus vastavad nimeplaadil märgitud väärtustele.
- Kasutage ainult maandatud pistikupessa õigesti ühendatud kolmejuhtmelist pikendusjuhet.
- Ohutuks miinimumkauguseks tuleb võtta antud territooriumil kehtivate seadusesätetes sätestatud kaugus.
- Vältimaks tuleohtu, asetage soojendi niisugusele pinnale, mis seadme ülekuumenemise või töötamise tulemusena püsib stabiilne ja tasane.
- Soojendi teisaldamisel või hoiustamisel hoidke seda horisontaalasendis, vältimaks kütuse väljavoolamist.
- Hoidke lapsed ja loomad soojendist ohutuskauguses.
- Kui te soojendit ei kasuta, eemaldage see elektrivõrgust.
- Pidage meeles, et mõne muu seadmega (termostaadi võitaimeriga) juhitud soojendi võib käivituda mis tahes hetkel.
- Soojendit ei tohi mingil juhul kasutada eluruumides.
- Ärge kunagi blokeerige soojendi õhu sisselaske- ega väljalaskeava.
- Soojendit ei tohi teisaldada, liigutada, kütusega täita ega hooldada, kui see on kuum, elektrivõrku ühendatud või töötab.
- Soojendi esmakordsel käivitamisel tekkiv suits on põhjustatud orgaaniliste (keraamiliste) materjalide aurustumisest põlemiskambris ning korrosioonivastase õli aurustumisest põleti pinnal. Suits hajub mõne minuti pärast.
- Soojendit ümbritseva keskkonna töötemperatuur on vahemikus -30°C kuni +40°C.

## TOOTE IDENTIFIKATSIOON

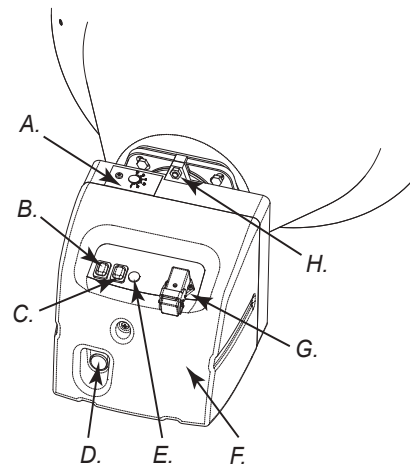


Joonis 3

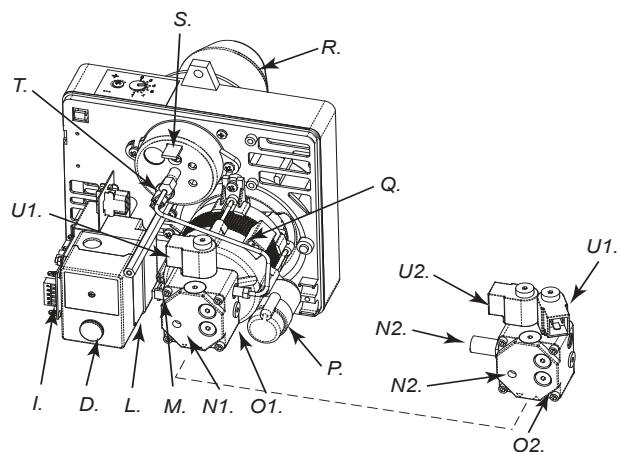


Joonis 4

**A.** Põlemiskamber, **B.** Tõstekõrv, **C.** Kütusefilter või eelsoojendusega kütusefilter (valikuliselt), **D.** Kütuse etteandetuhe, **E.** Kütuse tagasivoolujuhe, **F.** Kütusepaagi kork, **G.** Tugi või ratas (valikuliselt), **H.** Kütusesasemenäidik, **I.** Põlemiskambri komplekti blokeering, **L.** Esideflektor, **M.** Kütusepaagi tühjendamiskork, **N.** Kütusepaak, **O.** Käepide soojendi teiseldamiseks, **P.** Hingeblokeering, **Q.** Põleti **R.** Kaldenurga regulaator



Joonis 5 - Soojendi pakend



Joonis 6 - Soojendi kaubaalusel

**A.** Öhuavade regulaator, **B.** Valgustusega sisse- ja väljalülitusnupp, **C.** Kütusesoojenduslüüti (valikuliselt) (XL 9SR), **D.** Taaskäivitusnupp, **E.** Toiteindikaator, **F.** Põleti ümbris, **G.** Termostaadipistik, **H.** Mutter, **I.** Järeiventilatsioon, **L.** Leegiregulaator, **M.** Transformaator, **N1.** Pumbaregulaator (XL 9ER), **N2.** Pumbaregulaator (XL 9SR), **O1.** Pump (XL 9ER), **O2.** Pump (XL 9SR) **P.** Kondensaator, **Q.** Mootor, **R.** Põletitoru, **S.** Põlemisotsaku regulaator, **T.** Fotoresistor, **U1.** Electrovalve 1° (XL 9ER-SR), **U2.** Electrovalve 2° (XL 9SR)

## KÜTUS

**HOIATUS:** Soojendis võib kasutada **AINULT** petrooli või diislikütust.

Saastunud kütuse kasutamine võib põhjustada:

- Filtri ja kütusedüüsi blokeerumise.
- Tahmasadestiste tekke elektroodidele.

Madalatel temperatuuridel kasutada mittetoksilist külmumisvastast vahendit.

## TÖÖPÕHIMÕTE

Põlemiseks vajalik õhuvool tekitatakse tänu puhuri sees olevale ventilaatorile. Õhk juhitakse põlemiskambris kus ta seguneb pihustatud küttega. Kütus imetakse puhuri paagist tänu rootorpumbale mis tekitab kõrgsurve kuni kütus jõuab pihustusdüüsi.

## KASUTUSJUHEND

**HOIATUS:** Enne soojendi kasutamist, st enne seadme elektrivõrku ühendamist tuleb kontrollida, kas elektrivõrgu parameetrid vastavad andmesildil märgitud parameetritele.

### SOOJENDI KÄIVITAMINE

1. Järgige kõiki ohutuseeskirju.
2. Täitke paak diisli või petrooliga.
3. Keerake kütusepaagi kork kinni.
4. Ühendage toitejuhe maandatud pistikupesasse, mille pingele vastab soojendi andmesildil märgitud pingele. Ühendage toitejuhe maandatud pistikupesasse, mille pingele vastab soojendi andmesildil märgitud pingele.

### ALUSTAMINE ILMA TERMOSTAADITA

#### • PUHUR XL 9ER

Aseta lüliti (B Joonis 5) asendisse ON (I). Algab eeltuulutus ja umbes 10 sekundi pärast algab põlemisprotsess.

#### • PUHUR XL 9SR

**HOIATUS:** Enne sisselülitamist veendu, et lüliti (C Joonis 5) on asendis 🗑️.

Aseta lüliti (B Joonis 5) asendisse ON (I). Algab eeltuulutus ja umbes 10 sekundi pärast algab põlemisprotsess.

Maksimumvõimsuse saavutamiseks asetage lüliti (C Joonis 5) asendisse (🗑️🗑️).

### TERMOSTAADIGA SOOJENDI KÄIVITAMINE

Seadke termostaat või kontrollseadis (näiteks taimer), kui see on külge ühendatud, niiviisi, et see võimaldaks soojendil töötada.

**HOIATUS:** Soojendi töötab automaatrežiimil **AINULT** siis, kui selle külge on ühendatud kontrollseadis, näiteks termostaat või taimer. Kontrollseadis ühendada soojendi külge **ELEKTRISKEEMI** kohaselt.

Soojendi käivitamisel või pärast kütusejuhtme täielikku tühjendamist võib kütuse pealevoolul düüsi tekkida viivitus, mille tulemusena võib aktiveeruda leegikatkestusmehhanism (vt punkti OHUTUSSEADISED), mis lülitab soojendi välja. Niisugusel juhul oodake umbes 1 minut ning vajutage seadme käivitamiseks taaskäivitusnuppu (D Joonisel 5-6).

Juhul, kui seade ei käivitu, toimige järgmiselt:

1. Kontrollige, kas paagis (N Joonisel 4) on ikka kütust.

2. Vajutage taaskäivitusnuppu (D Joonisel 5-6).

Kui soojendi ka pärast nimetatud toimingute sooritamist ei käivitu, lugege mittekäivitumise põhjuse tuvastamiseks punkti „VÕIMALIKUD TÕRKED“.

**HOIATUS:** Enne järgmist sisselülitust (generaator on väljalülitatud ja vastavalt külüm) tuleb üle kontrollida esideflektoori fikseerivate kruvide kinnitus (L Joon. 4).

**HOIATUS:** Elektrivõrk, millega soojendi ühendatakse, peab olema maandatud ning varustatud diferentsiaalse elektromagnetilise termolülitiga. Soojendi pistik tuleb ühendada lahkülitiga varustatud pistikupesasse.

### SOOJENDI SEISKAMINE

Seadke lüliti (B Joonisel 5) väljalülitusasendisse (O) või lülitage välja termostaat või kontrollseadis (taimer), kui mõni nimetatud seadmetest on soojendiga ühendatud. Leek kustub, ent ventilaator pöörleb veel edasi kuni järelventileerimistsükli lõppemiseni (mahajahtumiseni).

**HOIATUS:** Enne pistiku pistikupesast väljatõmbamist oodake, kuni järelventileerimistsükkel on täielikult lõppenud (jahtumine vältab umbes 3 minutit).

## KAITSESEADE

Generaator on varustatud kaitseseadmega (L Joon. 6), mis kontrollib leegi tugevust. Ükskõik milliste kõrvalvõrkade ilmlemisel generaatori töös, blokeerib seade põleti ja nupp RESET hakkab helendama (D Joonis 5 või 6).

Lisaks sellele omab generaator järelventilatsiooni seadet, mis võimaldab põlemiskambri optimaalse, automaatse jahutuse umbes 3 minuti jooksul.

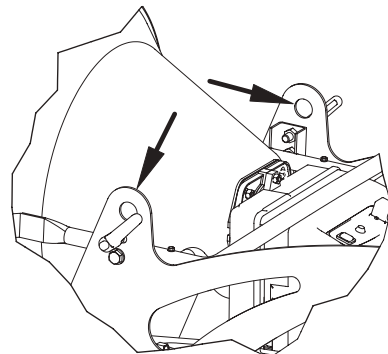
Enne generaatori uuesti sisselülitamist tuleb kindlaks määrata ja järgnevalt kõrvaldada masina blokeeringu põhjus.

## TEISALDAMINE JA TRANSPORT

**HOIATUS:** Enne puhuri teisaldamist või tõstmist veendu et kütusepaagi kork (F-H Joonis 3) on korralikult suletud.

### TRANSPORT

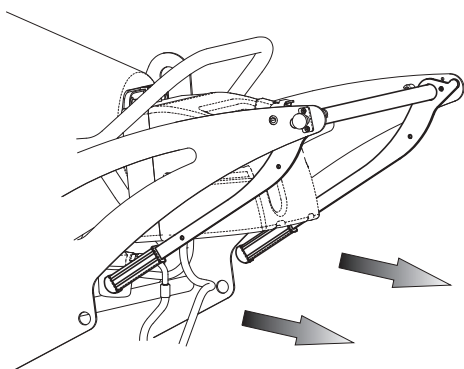
Kiirgurit on lihtne teisaldada ja seda saab kiiresti ja lihtsalt seada soovitud asendisse tänu reguleeritavale küttekehale (B Joonis 3 - Joonis 7). See võimaldab paigaldada seadet vastalt soovile, soojendamiseks, sulatamiseks või kuivatamiseks.



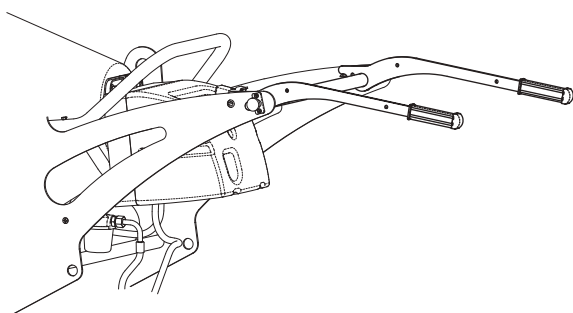
Joonis 7 - Tõstekõrv transpordiasendis

**TEISALDAMINE**

Enne soojendi liigutamist või tõstmist veenduge, et kütusepaagi korgid (G Joonisel 3) on korralikult kinni keeratud. Soojendi võib olla varustatud pöörleva tagarattaga (P Joonisel 4), mille korral võib soojendit teisaldada käru kombel järele vedades, kui põrandakattematerjal seda võimaldab. Kui soojendil pöörlev tagaratas puudub, tuleb soojendi ühel külgmisel kaldtoel paiknev hing (Joonis 8) blokeerida. Seadke käepidemed puhkeasendis (Joonis 8) transpordiasendisse (Joonis 9). Tõstke soojendit ülespoole niimoodi, et see toetuks vaid kahele esirattale ning teisaldage see soovitud kohta.



Joonis 8 - Soojendi käepidemed puhkeasendis



Joonis 9 - Soojendi käepidemed transpordiasendis

**HOIATUS:** Enne soojendi teisaldamist lülitage seade välja, toimides punktis „SOOJENDI SEISKAMINE” toodud juhiste järgi, ühendage seade elektrivõrgust lahti, tõmmates pistiku pistikupesast välja, ning oodake, kuni soojendi maha jahtub.

**ENNETAVA HOOLDUSE GRAAFIK**

**HOIATUS:** Enne mis tahes hooldustööde teostamist lülitage soojendi välja, toimides punktis „SOOJENDI SEISKAMINE” toodud juhiste järgi, ühendage seade elektrivõrgust lahti, tõmmates pistiku pistikupesast välja, ning oodake, kuni soojendi maha jahtub.

Käesolevas juhendis märgitud hooldusintervall sõltub suuresti kasutatud kütte kvaliteedist ja olustikust kus seadet kasutatakse. Tabelis antud intervall on saavutatud hästi ventileeritud ja vähetolmuses keskkonnas.

Iga 50 töötunni järel on tarvis:

- Võtta jadafiltri sisemus välja (vt punkti KÜTUSEFILTRI PUHASTAMINE) ning puhastada see.

Iga 200 töötunni järel on tarvis:

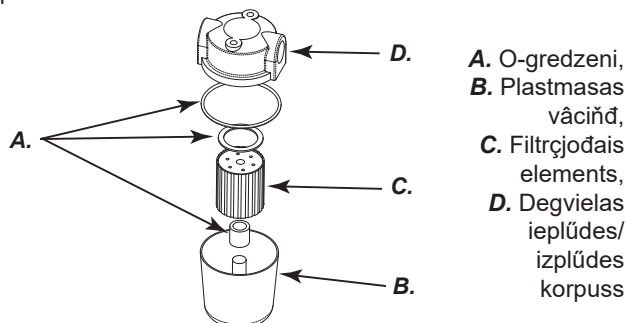
- Demonteerida põleti sisemus välja (vt punkti PUMPA FILTRI PUHASTAMINE) ning puhastada see.

Iga 300 töötunni järel on tarvis:

- Demonteerida põleti, puhastada selle toru sisemus, leegiketas ja elektroodid ning reguleerida vajadusel nende kaugust (vt punkti PÕLETI PUHASTAMINE).

**KÜTUSEFILTRI PUHASTAMINE**

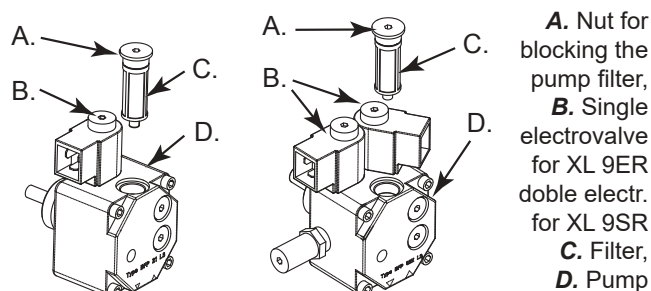
- Keerake plastkuppel lahti ja võtke filtri sisemus välja.
- Puhastage filtri sisemus korralikult petrooliga.
- Pange filtri sisemus tagasi ning keerake kuppel kütusefiltri korpusesse.



Joonis 10 - Soojendi filter

**PUMPA FILTRI PUHASTAMINE**

- Eemalda põleti element (Joonis 5) et tagada ligipääs põleti pumbale (Joonis 6).
- Keerake lahti kruvi mis hoiab filtri elementi pumba küljes (Joonis 11).
- Tõmmake filtrielement välja.
- Puhastage see korralikult kasutades petrooli.
- Asetage filtrielement tagasi oma kohale ja fikseerige kruviga.

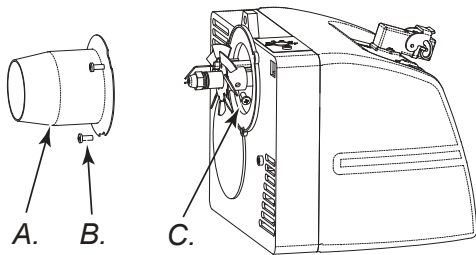


Joonis 11 - Põleti demontaaž

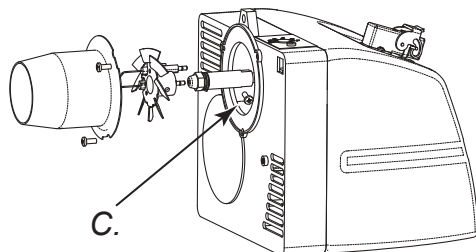


**PÕLETI PUHASTAMINE**

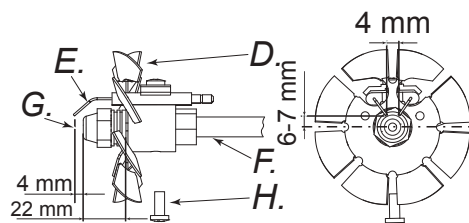
- Keerake lahti kruvi (H Joonisel 5), mis kinnitab põleti (A Joonisel 3) põlemiskambris.
- Tõmmake põleti põlemiskambri (Joonise 3) välja.
- Keerake lahti kolm kruvi (B Joonisel 12), mis kinnitavad põleti toru (A Joonisel 12).
- Eemaldage toru.
- Keerake lahti kruvi (C Joonisel 13), mis kinnitab leegiketaste komplekti elektroodide külge ning tõmmake düüsipesa välja (F Joonisel 14).
- Puhastage leegiketast (D Joonisel 14) ja elektroodid (E Joonisel 14).
- Keerake düüs (G Joonisel 14) düüsipesast (F Joonisel 14) välja ning puhastage või vahetage düüs vajaduse korral välja.
- Keerake düüs (G Joonisel 14) düüsipesasse.
- Monteeri tagasi leegiketaste komplekt, pöörates tähelepanu õigete vahekauguste jätmisele, nagu on näidatud (Joonisel 14).



Joonis 12 - Elektroodide kaugus düüsis

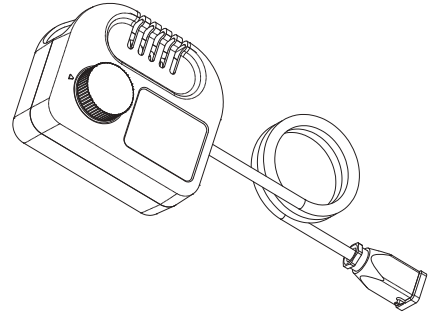
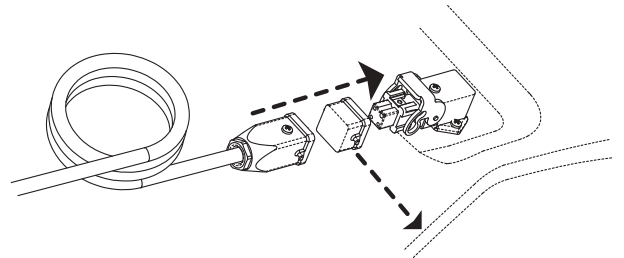


Joonis 13 - Elektroodide kaugus düüsis

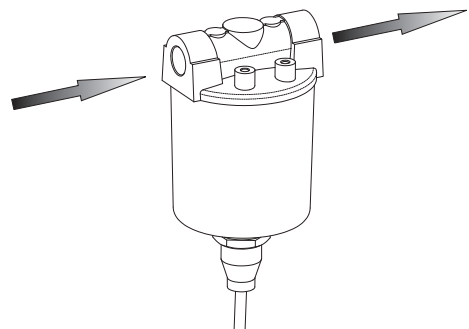
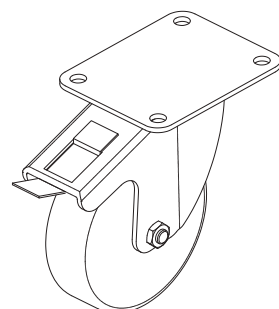


Joonis 14 - Disk flame

A. Toru, B. Kruvi toru, C. Kruvi leegiketast, D. Leegiketast, E. Elektroodid, F. Toru, G. Düüs, H. Kruvi

**TARVIKUD  
TERMOSTAAT****KONTROLLSEADISE KÜLGEÜHENDAMINE**

**HOIATUS:** Enne remonditööde juurde asumist lülitage soojendi välja, toimides punktis **SOOJENDI SEISKAMINE** töödud juhiste järgi, ühendage seade elektrivõrgust lahti, tõmmates juhtme pistikupesast välja ning oodake, kuni soojendi maha jahtub.

**KÜTUSE EELSOOJENDUSFILTER****PIDURIGA VARUSTATUD PÖÖRLEV RATAS**

## TÖRKED JA NENDE VÕIMALIKUD PÕHJUSED

**HOIATUS:** Enne remonditööde juurde asumist lülitage soojendi välja, toimides punktis **SOOJENDI SEISKAMINE** töödud juhiste järgi, ühendage seade elektrivõrgust lahti, tõmmates juhtme pistikupesast välja ning oodake, kuni soojendi maha jahtub.

TÕRGE	TÕENÄOLINE PÕHJUS	LAHENDUS
Soojendi seiskub, kui leek põleb. Taaskäivitusnupp (D Joonisel 5-6) on sisse lülitatud	<ol style="list-style-type: none"> <li>Fotoresistori ringes on tõrge või on fotoresistor tahmaga määrdunud</li> <li>Põlemiskamber on must</li> <li>Leegiregulaatori süsteem on vigane</li> <li>Leegiketask või toru (Joonisel 12,13,14) on määrdunud</li> </ol>	<ol style="list-style-type: none"> <li>Puhastage või vahetage fotoresistor välja</li> <li>Demonteerige esideflekter ja puhastage põlemiskambri sisemus</li> <li>Vahetage leegiregulaatori süsteem välja</li> <li>Demonteerige ja puhastage</li> </ol>
Soojendi seiskub ja pritsib kütust välja, ent leek puudub. Taaskäivitusnupp (D Joonisel 5-6) on sisse lülitatud	<ol style="list-style-type: none"> <li>Tõrge elektrisüsteemis</li> <li>Süütetrafoormaat (M Joonisel 6) on lahti ühendatud või vigane</li> <li>Süütetrafoormaat juhtmete lühis maaga</li> <li>Elektroodide vale vahekaugus</li> <li>Elektroodide lühis maaga nende määrdumise või isolatsiooni kahjustumise tõttu</li> </ol>	<ol style="list-style-type: none"> <li>Kontrollige kogu soojendi elektrisüsteem üle</li> <li>Vahetage välja</li> <li>Vahetage välja</li> <li>Seadke elektroodide vahekaugus õigeks (Joonisel 14)</li> <li>Puhastage või vahetage vajadusel elektroodid välja</li> </ol>
Soojendi düüsi ei eraldu kütust ning seade seiskub. Taaskäivitusnupp (D Joonisel 5-6) on sisse lülitatud	<ol style="list-style-type: none"> <li>Fotosilm reageerib tugevale valgusele</li> <li>Elektrimootori toites puudub faas</li> <li>Puudub kütuse pealevool pumbale</li> <li>Paagis ei ole kütust</li> <li>Ummistunud düüs</li> </ol>	<ol style="list-style-type: none"> <li>Ärge asetage kiirgurit selliselt et valgus paistaks otse fotosilma suunas</li> <li>Kontrollige elektrisüsteemi</li> <li>Kontrollige kütusejuhtmeid (D Joonisel 3)</li> <li>Täitke paak kütusega</li> <li>Puhastage või vahetage düüs välja</li> </ol>
Põleti ei käivitu	<ol style="list-style-type: none"> <li>Kontrollseadis (termostaat või taimer) on sisse lülitatud</li> <li>Lühis fotoresistori ringes (T Joonisel 6)</li> <li>Lüliti väljalülitamise või võrgupinge kadumise tõttu pealüliti väljalülitamisega seotud toitepinge kadumine</li> <li>Kontrollseadise (termostaadi või taimeri) vale seadistamine</li> <li>Vigane leegiregulaatori süsteem</li> <li>Läbipõlenud kaitse põleti katte all</li> </ol>	<ol style="list-style-type: none"> <li>Muutke kontrollseadise seadistust</li> <li>Vahetage välja</li> <li>Lülitage elektrisüsteem ja lülitid välja või oodake elektritoite naasmist</li> <li>Kontrollige seadistust elektriskeemi järgi</li> <li>Vahetage välja (F Joonisel 5)</li> <li>Vahetage välja</li> </ol>
Leek ei põle korrapäraselt, tunda on ebameeldivat lõhna, näha on musta suitsu või esideflekterist leeke	<ol style="list-style-type: none"> <li>Madal pihustamissurve</li> <li>Põlemiseks on liiga vähe õhku</li> <li>Mustusest või pikaajalisest kasutamisest tingitud düüsi ummistumine</li> <li>Kütuse hulgas on vett. Kütuse madal kvaliteet</li> <li>Kütus on paagis otsakorral</li> </ol>	<ol style="list-style-type: none"> <li>Taastada õige surve</li> <li>Suurendada põlemiseks vajamineva õhu hulka</li> <li>Puhastada või vahetada düüs välja</li> <li>Tühjendage paak tühjendustoru abil (M Joonisel 4)</li> <li>Täitke paak uuesti</li> </ol>

## SEZNAM

1. POPIS TOPIDLA
1. VYBALENÍ
2. BEZPEČNOSTNÍ INFORMACE
3. LEGENDA K VÝROBKU
4. PALIVO
4. PRINCIP
4. PROVOZNÍ NÁVOD
4. BEZPEČNOSTNÍ INSTRUKCE
4. PŘEPRAVA
5. PLÁN ÚDRŽBY
6. PŘÍSLUŠENSTVÍ
7. ZÁVADY A JEJICH PRAVDĚPODOBŇNÉ PŘÍČINY

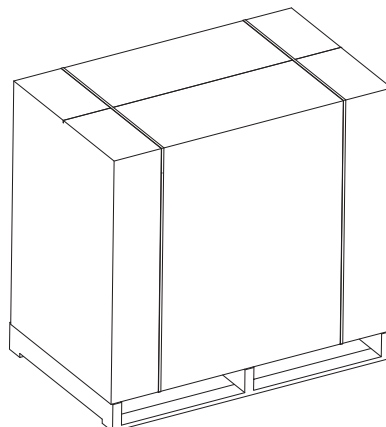
## POPIS TOPIDLA

XL 9 je sálavé topidlo. Sálavá technologie je založená na fyzikálním principu tepelného slunečního záření. Slunce zahřívá předměty bez proudění horkého vzduchu jen vlnovým přenosem. Tato metoda se stává velmi žádaná hlavně pro profesionální použití vzhledem k výhodám, které nám nabízí. XL 9 bylo konstruováno na základě tohoto principu a stalo se nenahraditelné v prostředí kde se požaduje konstantní, stálý zdroj tepla, pro rozmrazování a vysoušení. Kromě toho, jeho mimořádně nízká hladina hluku jej předurčuje k použití všude tam, kde topidla jiné konstrukce nemohou být použita. Agregát má pogumovaná pojezdová kolečka pro lehkou manipulaci a mohou být přepravována do vyšších poloh díky manipulačnímu oku pro hák. Vnější palivová nádrž umožňuje snadnou kontrolu a plnění. Model SR má dvě polohy výkonu pro efektivní použití topidla během všech ročních období.

## VYBALENÍ A PŘEPRAVA

### VYBALENÍ

- Odstraňte pásky sloužící pro zabalení zařízení (Obr. 1).
- Otevřete víko krabice.
- Odstraňte krabice.
- Odstraňte pásky, kterými je upevněno topidlo k paletě (Obr. 2).
- Opatrně sejměte topidlo z palety.
- Zlikvidujte obal v souladu se Zákonem pro odpady.
- Zkontrolujte, zda nedošlo k poškození zařízení během transportu. Pokud se zdá být poškozené, informujte bez prodlení obchod, kde jste jej zakoupili.

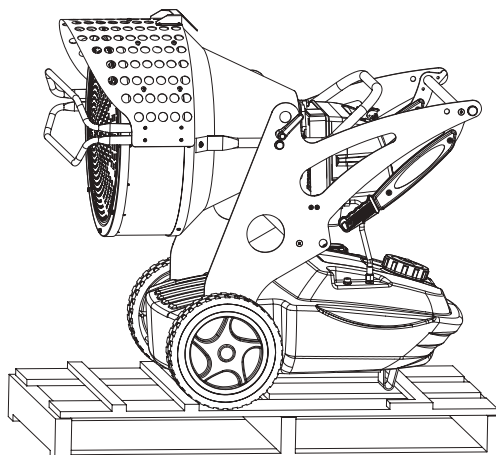


Obrázek 1

### PŘEPRAVA A SKLADOVÁNÍ


V případech, kdy je nutné uskladnit topidlo nebo jej připravit k odeslání do opravy, je nutno:

- Zkontrolujte případná poškození, zabraňte úniku paliva z nádrže. Pro tyto případy vyprázdněte nádrž.
- Pro uskladnění topidla použijte stejnou velikost palety na jaké bylo dodáno.
- Upevněte topidlo důkladně k paletě (Obr. 2).
- Je-li to možné, obložte topidlo kartonem (Obr. 1).
- Uskladněte topidlo na suché místo. Odešlete topidla nejlépe podle Obr. 1 nebo Obr. 2.



Obrázek 2

## INFORMACE TÝKAJÍCÍ SE BEZPEČNOSTI OBSLUHYVAROVÁNÍ UPOZORNĚNÍ

 **DŮLEŽITÉ:** Tento ohřívač vzduchu byl navržen pro mobilní a dočasné profesionální využití. Produkt nebyl navržen pro domácí využití, či zajištění tepelného komfortu osob.

**DŮLEŽITÉ UPOZORNĚNÍ:** Před přistoupením k využívání topidla nebo provádění jakýchkoliv činností spojených s jeho údržbou je nutné se důkladně pročíst tento návod k obsluze. Nesprávné používání topidla může mít za následek vážná nebo smrtelná zranění způsobená popálením, vypuknutím požáru, výbuchem, zásahem elektrickým proudem nebo otravou kyslíčnickem uhelnatým.

**NEBEZPEČÍ:** Otrava kyslíčnickem uhelnatým může způsobit smrt.

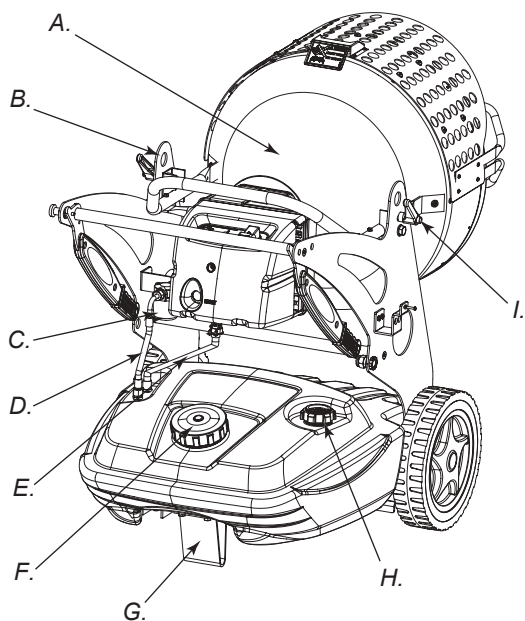
Otrava kyslíčnickem uhelnatým - první příznaky otravy kyslíčnickem uhelnatým jsou podobné příznakům chřipky a projevují se bolestmi hlavy, závratěmi nebo nevolností. Tyto příznaky mohou být způsobeny nesprávnou činností infračerveného topidla. V případě zpozorování příznaků tohoto typu je nutné okamžitě vyjít na čerstvý vzduch! Topidlo je třeba dát do opravy. K opětovnému spuštění topidla může dojít teprve po jeho opravě. V některých případech má kyslíčnick uhelnatý škodlivější účinky, týká se to zejména těhotných žen, lidí se srdečními či plicními onemocněními, lidí s chudokrevností, ale také lidí pod vlivem alkoholu nebo pobývajících ve vysokých nadmořských výškách. Uživatel topidla by si měl pročíst a pochopit veškerá upozornění. Tento návod si pečlivě uschovejte na bezpečném místě, aby byl k dispozici pro použití v budoucnu: najdete zde pokyny pro používání a správné zacházení s naftovým infračerveným topidlem. Aby se snížilo nebezpečí požáru nebo výbuchu, jako palivo se smí používat pouze nafta nebo lehký topný olej. V žádném případě se nesmí používat benzín, těžký benzín, ředidlo, alkohol ani žádné jiné hořlaviny.

• Plnění nádrže:

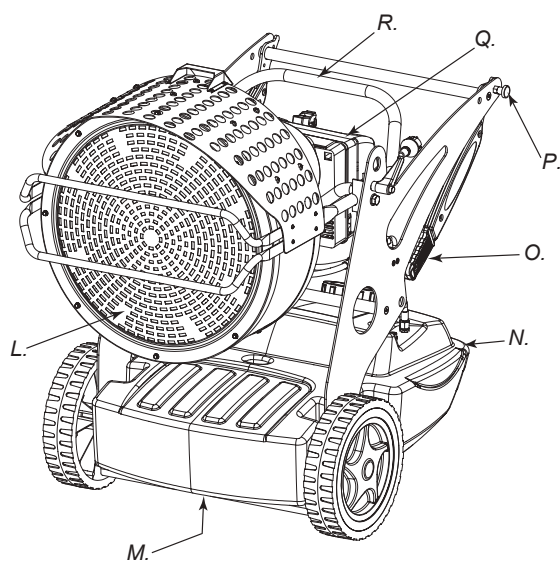
- Pracovník, který má na starosti naplňování nádrže, by měl mít příslušnou kvalifikaci a velmi dobře znát tovární instrukce a platné právní předpisy týkající se bezpečného používání ohřívačů a topidel.
- Používat výhradně palivo jasně uvedené na identifikačním štítku na topidle.
- Před přistoupením k plnění nádrže je třeba uhasit všechny plameny včetně kontrolního plamínku a nechat topidlo vystydnout.
- Během tankování je třeba zkontrolovat veškeré palivové přívody a spoje z hlediska těsnosti. Veškeré netěsnosti musejí být před opětovným spuštěním topidla odstraněny.
- V žádném případě se nesmí ve stejné budově nebo poblíž topidla skladovat palivo v množství větším, než je nutné pro zajištění jednodenní činnosti topidla. Nádrže pro skladování paliva by měly být umístěny v jiné budově.
- Všechny nádrže na palivo by měly být umístěny ve vzdálenosti minimálně 762 cm od topidla a také od hořáků na plynové svařování, svářeček a podobných zdrojů zážehu (netýká se palivových nádrží vestavěných v topidle).

- Palivo se má skladovat v místnostech, kde podlahová krytina znemožňuje vsakování paliva v případě jeho rozlití nebo úniku z palivového vedení, jelikož by to mohlo vést k vypuknutí požáru.
- Všechny místnosti a nádrže na skladování paliva musejí splňovat požadavky aktuálně platných právních předpisů.
  - V žádném případě se nesmí naftové infračervené topidlo používat v místnostech, kde se nachází benzín, ředidlo nebo jiné hořlavé látky.
  - Během používání topidla se musejí dodržovat veškerá místní nařízení a aktuálně platné právní předpisy.
  - Topidla používaná v blízkosti tkanin, závěsů a podobných látek či materiálů s velkou plochou musejí být umístěny v bezpečné vzdálenosti od těchto předmětů. Minimální bezpečnou vzdálenost určují příslušné aktuálně platné předpisy v zemi, kde se topidlo používá. Kromě toho se doporučuje jako ochrannou clonu používat ohnivzdorný materiál. Látky tohoto typu by měly být bezpečně uchyceny, aby nedošlo k jejich zapálení v případě kontaktu s topidlem v důsledku průvanu nebo větru.
  - Topidla by se měla používat výhradně v dobře větraných místnostech. Aby byl zajištěn přívod čerstvého vzduchu, je nezbytné zajistit vhodný otvor nebo vzduchotechniku sloužící k výměně vzduchu, která by splňovala v dané oblasti platné právní předpisy.
  - Topidlo se zapojuje do sítě o napětí a frekvenci, které odpovídají hodnotám uvedeným na výrobním štítku.
  - Smějí se používat výhradně třížilové prodlužovací šňůry, správně zapojené do uzemněné zásuvky.
  - Jako minimální bezpečnou vzdálenost je třeba zvolit vzdálenost vyžadovanou právními předpisy platnými na daném území.
  - Topidlo se může umístit na takovém místě, aby plocha, na které topidlo stojí, zůstala po zahřátí nebo během práce zařízení stabilní a vodorovná. Má se tím předejít nebezpečí vypuknutí požáru.
  - Během přemísťování nebo skladování je nutné dbát na vodorovnou polohu topidla, aby se předešlo rozlití paliva.
  - K topidlu musí být zabráněn přístup dětem a zvířatům.
  - Nepoužívané topidlo se musí odpojit od elektrické sítě.
  - Je třeba mít na paměti, že topidlo ovládané nějakým jiným zařízením (jako termostat nebo časový spínač) se může spustit kdykoliv.
  - Topidlo se v žádném případě nesmí umísťovat v obydlených místnostech.
  - Otvory přívodu a odvodu vzduchu se nesmějí zakrývat.
  - Pokud je zařízení horké, zapojeno do elektrické sítě nebo pracuje, nesmí se s ním nijak manipulovat, pohybovat, doplňovat palivo ani provádět na něm údržbu.
  - Dým vznikající během prvního zapnutí topidla je způsoben spalováním odpařujících se organických (keramických) látek, které jsou ve spalovací komoře, a také antikoroziho oleje, kterým je natřen povrch hořáku. Po několika minutách čazení ustane.
  - Rozsah pracovní teploty okolí topidla činí -30°C až +40°C.

## LEGENDA K VÝROBKU

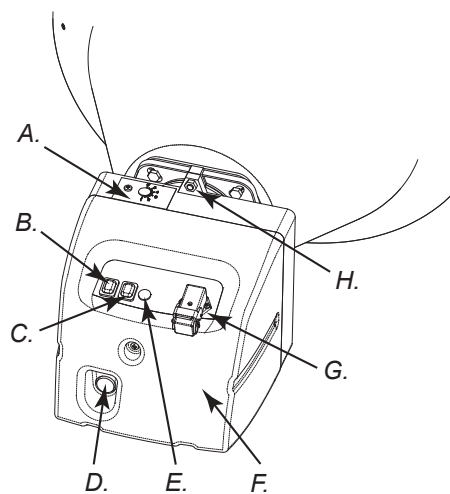


Obrázek 3

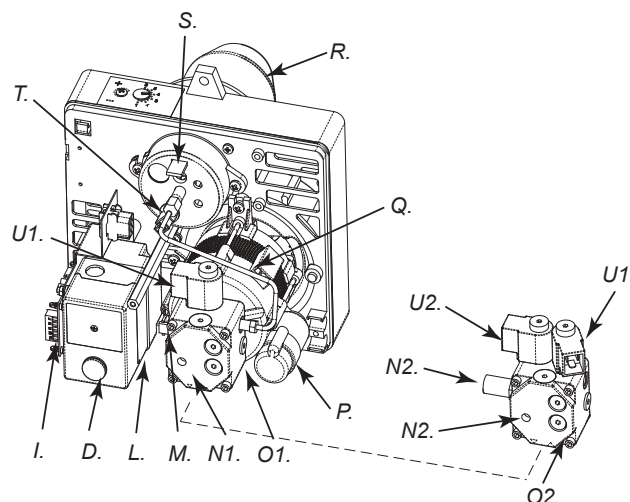


Obrázek 4

**A.** Spalovací komora, **B.** Zvedací body topného tělesa, **C.** Palivový filtr nebo filtr s předehříváním paliva (na přání), **D.** Přívod paliva, **E.** Zpětné vedení paliva, **F.** Víčko palivové nádrže, **G.** Patka nebo kolečko (na přání), **H.** Ukazatel množství paliva, **I.** Zajišťování konstrukční skupiny spalování, **L.** Rozptylovač tepelného záření, **M.** Zátka pro odkalování palivové nádrže, **N.** Palivová nádrž, **O.** Rukojeť pro přemístování topného tělesa, **P.** Blokování otáčení rukojeti, **Q.** Hořák, **R.** Nastavování náklonu



Obrázek 5 - Ovládání topidla



Obrázek 6 - Součásti hořákové jednotky

**A.** Ovládání vzduchových otvorů, **B.** Podsvícené tlačítko ZAP/VYP, **C.** Spínač předehřívání paliva (VOLITELNÉ) (XL 9SR), **D.** Tlačítko opětovného spuštění, **E.** Napájecí kontrolka, **F.** Kryt hořáku, **G.** Konektor termostatu, **H.** Šroub, **I.** Následná ventilace, **L.** Regule oheň, **M.** Transformátor, **N1.** Regule čerpadla (XL 9ER), **N2.** Regule čerpadla (XL 9SR), **O1.** Čerpadlo (XL 9ER), **O2.** Čerpadlo (XL 9SR), **P.** Kondenzátor, **Q.** Motor, **R.** Hořáková trubice, **S.** Regulační hlavice spalování, **T.** Fotoodpor, **U1.** Electrovalve 1° flame step (XL 9ER-SR), **U2.** Electrovalve 2° flame step (XL 9SR)

## PALIVO

**UPOZORNĚNÍ: V topidle se smí používat výhradně pouze nafta nebo lehký topný olej.**

Používání znečištěných paliv může zapříčinit:

- Zanesení filtru a palivové trysky,
- Tvorbu uhlíkatých usazenin na elektrodách.

Za nízkých teplot okolí je třeba používat netoxický prostředek proti tuhnutí paliva.

## PRINCIP FUNKCE

Pro řádné spalování je nutný dostatek spalovacího vzduchu, který je dodáván ventilátorem umístěným na venkovní straně hořáku. Vzduch vystupuje z otvorů hořáku a mísí se s palivem rozprašovaným vysokotlakou vstříkovací tryskou. Palivo z nádrže k vysokotlaké trysce je dopravováno rotačním čerpadlem, které palivu dodává vysoký tlak potřebný k rozprašení paliva tryskou.

## NÁVOD K OBSLUZE

**UPOZORNĚNÍ: Před zahájením provozu topidla a tím tedy i před jeho zapojením do elektrické sítě je nutné ověřit, zda parametry sítě odpovídají parametrům uvedeným na výrobním štítku topidla.**

### UVEDENÍ TOPIDLA DO PROVOZU

1. Dodržujte veškeré bezpečnostní pokyny.
2. Naplňte nádrž lehkým topným olejem nebo naftou.
3. Krytkou zavřete palivovou nádrž.
4. Zapojte přívodní šňůru do uzemněné zásuvky ve zdi s napětím shodným, které je uvedeno na výrobním štítku topidla.

### UVEDENÍ DO PROVOZU TOPIDLA BEZ TERMOSTATU • XL 9ER

Přepněte přepínač (B Obr. 5) do polohy zapnuto (I). Topidlo začne pracovat v režimu předběžné ventilace po uplynutí 10 sekund od zahájení práce hořáku.

### • XL 9SR

**UPOZORNĚNÍ: Před zapnutím generátoru ujistěte, že tlačítko (C Obr. 5) je ve vhodné poloze.**

Vypínač (B Obr. 5) dejte do polohy ON (zapnuté) (I). Spustí se úvodní ventilace a po 10 sekundách se zahájí spalování.

Pro získání maximálního potenciálu portare vypínač (C Obr. 5) dejte do polohy uvedené na obrázku.

### UVEDENÍ DO PROVOZU TOPIDLA S TERMOSTATEM

Nastavte termostat nebo ovládací zařízení (například časový pínač), je-li připojeno, tak, aby byla umožněna činnost topidla.

**UPOZORNĚNÍ: Topidlo může fungovat v automatickém režimu pouze v případě zapojení ovládacího zařízení, jako například termostatu nebo časového spínače. Ovládací zařízení se musí připojit k topidlu podle SCHÉMATU ELEKTRICKÉHO ZAPOJENÍ.**

Před spuštěním topidla nebo po úplném vyprázdnění palivového vedení může být přísun paliva do trysky příliš malý, že způsobí zásah bezpečnostního zařízení kontrolujícího oheň (viz bod BEZPEČNOSTNÍ ZAŘÍZENÍ), v důsledku čehož nastává vypnutí topidla. V tom případě je nutné asi jednu minutu počkat, pak stisknout tlačítko opětovného spuštění (D na Obr. č. 5) a topidlo nastartovat.

Pokud se topidlo nedá spustit, je třeba:

1. Zkontrolovat, zda je v nádrži (N na Obr. č. 4) palivo.

2. Stisknout tlačítko opětovného spouštění (D na Obr. č. 5-6).

Pokud topidlo stále nechce nastartovat, vyhledejte příčinu problému v kapitole ZÁVADY A JEJICH PRAVDĚPODOBNÉ PŘÍČINY.

**VÝSTRAHA: Před opakovaným zapálením (topidlo má uhašený plamen a je dostatečně vychladlé), zkontrolujte utažení upevňovacích šroubů deflektoru (L Obr. 4).**

**UPOZORNĚNÍ: Elektrická instalace, ke které je topidlo připojeno, musí být uzemněna a vybavena proudovým chráničem. Vedení musí být připojeno k zásuvce vybavené nadproudovým spínačem.**

### VYPÍNÁNÍ TOPIDLA

Nastavte přepínač (B na Obr. č. 5) do polohy vypnuto (O) nebo vypněte termostat či ovládací zařízení (časový spínač), pokud je nějaké takové zařízení k topidlu připojeno. Oheň zhasne, ale přístroj bude stále foukat vzduch, dokud se neukončí cyklus následné ventilace (ochlazování).

**UPOZORNĚNÍ: Před vytažením přívodního kabelu ze zásuvky počkejte, až úplně doběhne následná ventilace (chlazení trvá přibližně 3 minuty).**

## BEZPEČNOSTNÍ ZAŘÍZENÍ

Topidlo je vybaveno bezpečnostním zařízením (L na Obr. č. 6) kontrolující plamen. Pokud se vyskytnou během práce nějaké závady, bezpečnostní zařízení hořák vypne a rozsvítí tlačítko opětovného spuštění (D na Obr. č. 5-6).

Topidlo je také vybaveno zařízením, které během přibližně 3 minut automaticky a optimálním způsobem ochladí spalovací komoru.

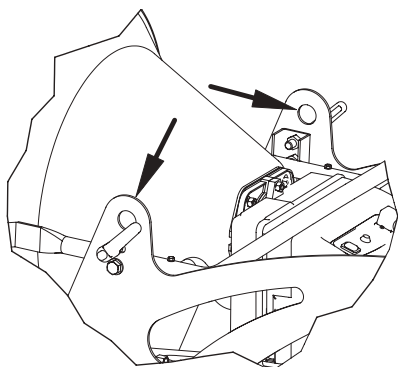
Před opětovným spuštěním topidla je nutné zjistit a odstranit příčinu, která způsobila vypnutí hořáku.

## PŘEMÍSTOVÁNÍ A PŘEPRAVA

**UPOZORNĚNÍ: Před zvednutím či přemístěním topidla je třeba zkontrolovat, zda jsou víčka palivové nádrže (F a H na Obr. č. 3) pevně utažena.**

### PŘEPRAVA

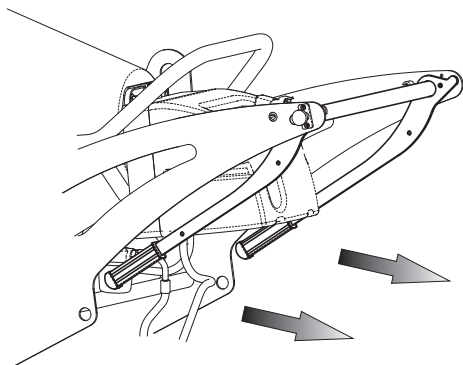
Manipulace a přemístování topidla je snadné. Díky speciálnímu mechanismu může být topidlo nastaveno do nejvhodnější polohy pro topení, rozmrazování či vysoušení a zajištěno šroubem umístěným u zvedacího oka (Obr. 3 nebo 7, pozice B).



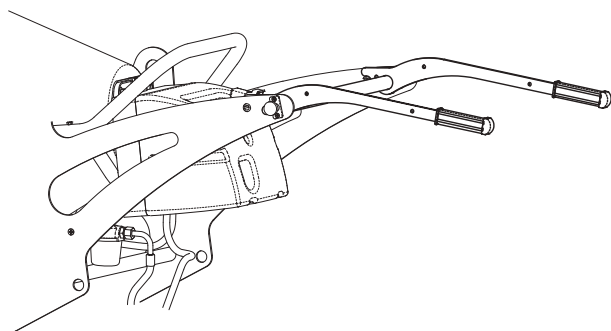
Obrázek 7 - Zvedací body topného tělesa

**PŘEMISŤOVÁNÍ**

Topidlo může být vybaveno otočným zadním kolečkem (G na Obr. č. 3). V tom případě - umožňuje-li to podlahová krytina - lze topidlo přemístit po podlaze jako vozík. Není-li topidlo vybaveno otočným zadním kolečkem, je třeba odblokovat závěs (P na Obr. č. 4), který je umístěn na jednom z bočních nosníků topidla. Přestavte držadla z klidové polohy (Obr. č. 8) do polohy přepravní (Obr. č. 9). Nadzvedněte topidlo tak, aby stálo pouze na dvou předních kolečkách, a přemístěte ho na požadované místo.



Obrázek 8 - Držadla v klidové poloze, topidlo



Obrázek 9 - Držadla v přepravní poloze, topidlo

**UPOZORNĚNÍ:** Před přemístěním topidla se musí vypnout zařízení podle pokynů uvedených v bodě „VYPÍNÁNÍ TOPIDLA“; odpojit topidlo od zdroje proudu, vytáhnout zástrčku přívodní šňůry ze zásuvky ve zdi; počkat, až topidlo vystydne.

**HARMONOGRAM PRAVIDELNÉ PREVENTIVNÍ ÚDRŽBY**

**UPOZORNĚNÍ:** Před zahájením jakékoliv údržby je třeba: zařízení vypnout podle pokynů uvedených v bodě „VYPÍNÁNÍ TOPIDLA“; odpojit topidlo od zdroje proudu, vytáhnout zástrčku přívodní šňůry ze zásuvky ve zdi; počkat, až topidlo vystydne.

Intervaly údržby výrazně závisejí na čistotě paliva a druhu prostředí, kde je zařízení používáno. Zde uvedené intervaly údržby platí při umístění zařízení v dobře větraném prostředí s nízkou prašností a používání čistého paliva.

Každých 50 provozních hodin proveďte:

- Demontujte průchozí patronu (viz ČIŠTĚNÍ PALIVOVÉHO FILTRU), vyndejte ji a vyčistěte.

Každých 200 provozních hodin proveďte:

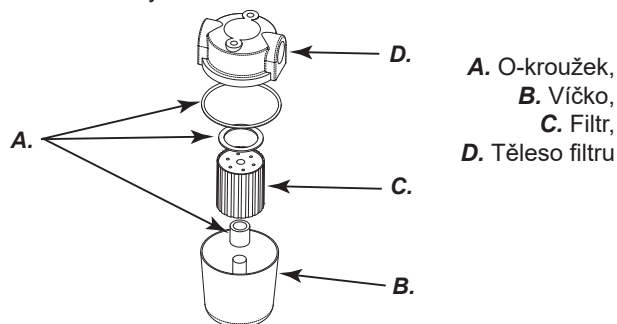
- Demontujte filtr čerpadla (viz ČIŠTĚNÍ PALIVOVÉHO ČERPADLA), vyndejte ho a vyčistěte.

Každých 300 provozních hodin proveďte:

- Demontujte hořák, vyčistěte vnitřek trubice hořáku, sálací kotouč a elektrody regulující (v případě potřeby) vzdálenost (viz ČIŠTĚNÍ HOŘÁKU).

**ČIŠTĚNÍ PALIVOVÉHO FILTRU**

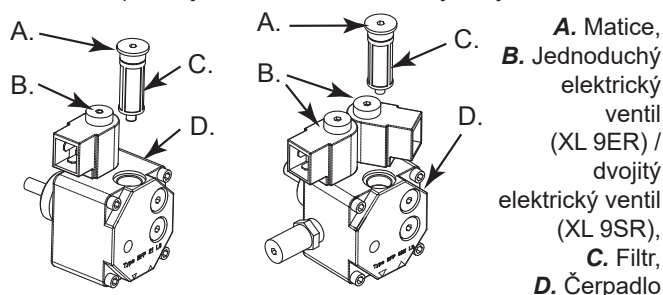
- Vyšroubujte umělohmotný kryt a vyjměte filtrační vložku.
- Vložku naftou důkladně vyčistěte.
- Vraťte zpět filtrační vložku a zašroubujte kryt palivového filtru spalovací soustavy.



Obrázek 10 - Filtr

**ČIŠTĚNÍ PALIVOVÉHO ČERPADLA**

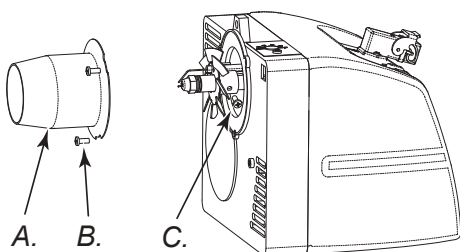
- Demontujte kryt hořáku (Obr. 5, pozice F), pod kterým je umístěno palivové čerpadlo (Obr. 6, pozice O).
- Vyšroubujte zajišťovací matici (Obr. 11, pozice A) filtru paliva.
- Filtr paliva těleso (Obr. 11, pozice C) vytáhněte z jeho uložení.
- Filtr důkladně vyčistěte v petroleji.
- Vložte filtr zpět do jeho uložení a zašroubujte zajišťovací matici.



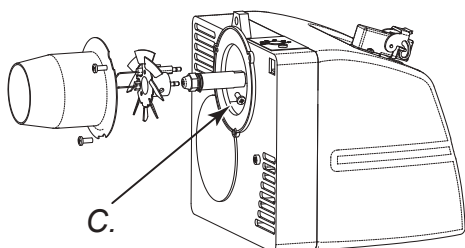
Obrázek 11 - Pumpa horáku

## ČIŠTĚNÍ HOŘÁKU

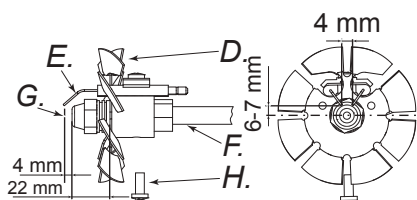
- Vyšroubujte šroub (Obr. 5, pozice H), který zajišťuje hořák ve spalovací komoře (Obr. 5, pozice A).
- Vytáhněte hořák ze spalovací komory (Obr. 3).
- Vyšroubujte tři šrouby (Obr. 2, pozice B) zajišťující trubici hořáku (Obr. 12, pozice A).
- Trubicu hořáku sundejte.
- Vyšroubujte šroub (Obr. 13, pozice C), který spojuje sestavu elektrod, kotouče hořáku a držáku trysky (Obr. 14, pozice F).
- Očistěte hořákový kotouč (Obr. 14, pozice D) a elektrody (Obr. 14, pozice E).
- Vyšroubujte trysku (Obr. 14, pozice G) z jejího držáku (Obr. 14, pozice F), vyčistěte je a je-li to možné, namontujte zpět.
- Našroubujte trysku (Obr. 14, pozice G) do držáku.
- Namontujte zpět sestavu kotouče s elektrodami a podle obrázku (Obr. 14) našroubujte do správné vzdálenosti.



Obrázek 12 - Demontáž krytu hořáku



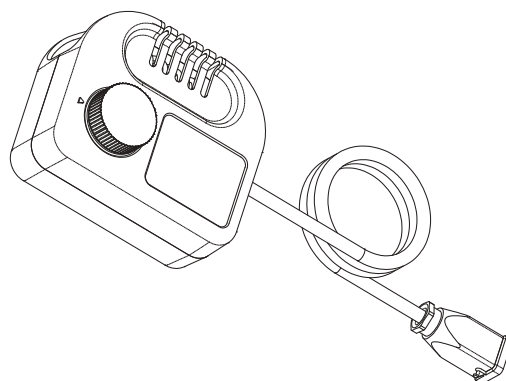
Obrázek 13 - Demontáž zapalovacích elektrod



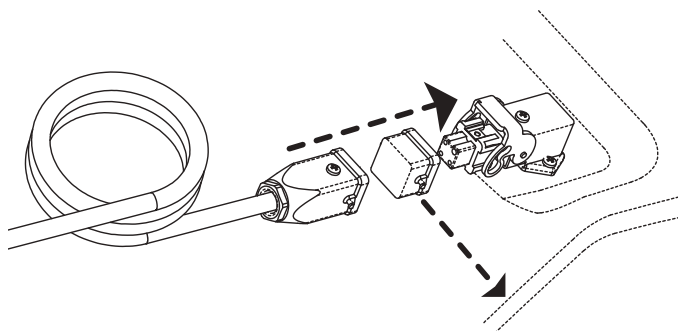
Obrázek 14 - Vysvětlivky k obrázku

A. Hořáková trubice, B. Šroub hořáková trubice, C. Šroub hořákový kotouč, D. Hořákový kotouč, E. Elektrody, F. Trubice, G. Tryska, H. Šroub

## PŘÍSLUŠENSTVÍ TERMOSTAT

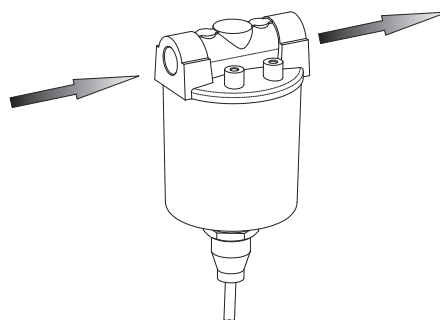


### PŘIPOJENÍ OVLÁDACÍHO ZAŘÍZENÍ

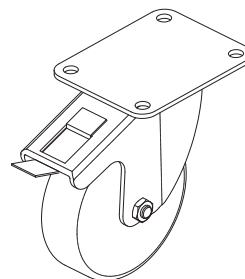


**UPOZORNĚNÍ:** Před zahájením jakékoliv opravy je třeba topidlo vypnout podle pokynů uvedených v bodě „VYPÍNÁNÍ TOPIDLA“; odpojit topidlo od zdroje proudu, vytáhnout zástrčku přívodní šňůry ze zásuvky ve zdi; počkat, až topidlo vystydne.

### FILTR PŘEDEHŘÍVAJÍCÍ PALIVO



### POJEZDOVÁ KOLA S BRZDOU





## ZÁVADY A JEJICH PRAVDĚPODOBNÉ PŘÍČINY

**UPOZORNĚNÍ:** Před zahájením jakékoliv opravy je třeba topidlo vypnout podle pokynů uvedených v bodě „VYPÍNÁNÍ TOPIDLA“; odpojit topidlo od zdroje proudu, vytáhnout zástrčku přívodní šňůry ze zásuvky ve zdi; počkat, až topidlo vystydně.

ZÁVADA	PRAVDĚPODOBNÁ PŘÍČINA	ZPŮSOB OPRAVY
Topidlo se při hořícím ohni vypíná. Tlačítko opětovného spouštění (D na Obr. č. 5-6) zapnuto	<ol style="list-style-type: none"> <li>Přerušeni v obvodu fotoodporu nebo je fotoodpor ušpiněn sazemi</li> <li>Zanesená spalovací komora</li> <li>Poškozený obvod regulace plamene</li> <li>Zanesená vrtule nebo trubice (na Obr. č. 12, 13, 14)</li> </ol>	<ol style="list-style-type: none"> <li>Vyčistěte nebo vyměňte fotoodpor</li> <li>Demontujte přední deflektor a očistěte vnitřek spalovací komory</li> <li>Vyměňte obvod regulace plamene</li> <li>Demontujte a vyčistěte</li> </ol>
Topidlo se vypíná a přitom vystřikuje palivo, aniž by se zapaloval oheň. Tlačítko opětovného spouštění (D na Obr. č. 5-6) zapnuto	<ol style="list-style-type: none"> <li>Závada v elektrické instalaci</li> <li>Odpojený nebo poškozený zapalovací transformátor (M na Obr. č. 6)</li> <li>Zkrat vinutí zapalovacího transformátoru s kostrou</li> <li>Nesprávné nastavení vzdálenosti elektrod</li> <li>Zkrat elektrod ke kostře způsobený jejich zanesením nebo poškozenou izolací</li> </ol>	<ol style="list-style-type: none"> <li>Zkontrolujte celou elektroinstalaci topidla.</li> <li>Vyměnit</li> <li>Vyměnit</li> <li>Nastavte správnou vzdálenost elektrod (na Obr. č. 14)</li> <li>Vyčistěte, případně vyměňte elektrody</li> </ol>
Z trysky neproudí palivo a topidlo se vypíná. Tlačítko opětovného spouštění (D na Obr. č. 5-6) zapnuto	<ol style="list-style-type: none"> <li>Fotoelektrické články detekují silné zdroje světla</li> <li>Není fáze v napájení elektromotoru</li> <li>Palivo se nedostává do čerpadla</li> <li>V nádrži došlo palivo</li> <li>Učpaná tryska</li> </ol>	<ol style="list-style-type: none"> <li>Umístěte topidlo tak, aby zdroje světla nesvítily přímo na plochu předního reflektoru</li> <li>Zkontrolujte elektroinstalaci</li> <li>Zkontrolujte vedení paliva (D na obr. č. 3)</li> <li>Doplňte v nádrži palivo</li> <li>Vyčistěte nebo vyměňte trysku</li> </ol>
Hořák se nespouští	<ol style="list-style-type: none"> <li>Je zapnuto ovládací zařízení (termostat nebo časový spínač)</li> <li>Zkrat v obvodu fotoodporu (T na Obr. č. 6)</li> <li>Přerušeni napájení způsobené vypnutím vypínače nebo vypnutím hlavního vypínače v důsledku přerušeni dodávky elektrického proudu v síti</li> <li>Nesprávná instalace ovládacího zařízení (termostatu nebo časového spínače)</li> <li>Závada v soustavě regulace plamene</li> <li>Spálená pojistka umístěná pod krytem hořáku</li> </ol>	<ol style="list-style-type: none"> <li>Zvýšit nastavení ovládacího zařízení</li> <li>Vyměnit</li> <li>Vypněte elektrický systém, pak vypněte vypínač nebo počkejte na obnovení dodávky elektřiny</li> <li>Zkontrolujte, zda je instalace správně provedena na základě schématu elektrického zapojení</li> <li>Vyměnit (F na Obr. č. 5)</li> <li>Vyměnit</li> </ol>
Oheň neboří správně, je cítit nepříjemný zápach, je vidět černý dým nebo plameny vycházející z předního deflektoru	<ol style="list-style-type: none"> <li>Nízký tlak rozprašování</li> <li>Příliš malé množství vzduchu potřebného ke spalování</li> <li>Zanesení trysky nečistotou nebo dlouhým používáním</li> <li>Voda v palivu. Nekvalitní palivo</li> <li>V nádrži dochází palivo</li> </ol>	<ol style="list-style-type: none"> <li>Obnovte správnou hodnotu tlaku</li> <li>Zvýšit množství vzduchu potřebného ke spalování</li> <li>Vyčistěte nebo vyměňte trysku</li> <li>Vypusťte palivo pomocí vypouštěcí trubičky (M na Obr. č. 4)</li> <li>Doplňte v nádrži palivo</li> </ol>

## TARTALOMJEGYZÉK

1. A TERMÉK LEÍRÁSA
  1. KICSOMAGOLÁS
  2. BIZTONSÁGI ELŐÍRÁSOK
  3. A TERMÉK FONTOSABB RÉSZEI
  4. TÜZELŐANYAG
  4. MŰKÖDÉSI ELV
  4. A GÉP ÜZEMELTETÉSE
  4. BIZTONSÁGI KÉSZÜLÉK
  4. MOZGATÁS ÉS SZÁLLÍTÁS
5. KARBANTARTÁSI UTASÍTÁSOK
6. KIEGÉSZÍTŐK
7. HIBÁK ÉS LEHETSÉGES HIBAOKOK

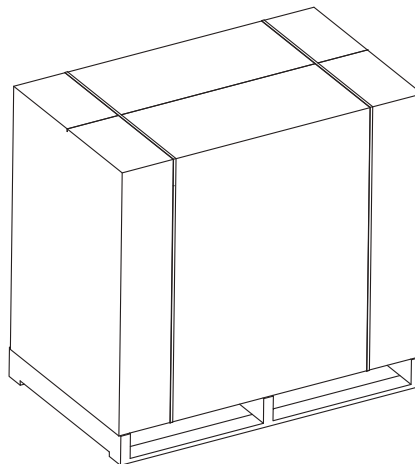
## A TERMÉK LEÍRÁSA

Az XL 9 fűtőberendezés infravörös hőszugárzás által melegíti. A hőszugárzó technológia fizikai alapelve megegyezik a Napból érkező hő melegítő hatásának elvével. A Nap meleg levegő áramlása nélkül, a hő sugárzása útján melegíti fel a különböző tárgyakat. Számos előnye miatt a hőszugárzós technológia egyre népszerűbb a professzionális ügyfelek körében. Az XL 9 fűtőberendezést erre a fizikai jelenségre alapozva tervezték és nélkülözhetetlenné vált olyan helyeken, ahol folyamatos, egyenletes fűtés, szárítás vagy fagymentesítés szükséges. További előnye a rendkívül alacsony zajszint amely alkalmassá teszi a berendezést olyan helyeken történő üzemelésre is ahol más, hagyományos berendezések nem megfelelőek. Gumi kerekein könnyen mozgatható és a beépített emelőszemekkel tetszőleges magasságban is elhelyezhető. Önálló üzemelése és automatikus termosztát funkciója sokrétűen alkalmazhatóvá teszi a felhasználók számára. A beépített üzemanyagszintjelző műszer segít eldönteni, hogy szükséges-e az üzemanyag utántöltése. Az SR modellek kétfokozatú fűtőtéljesítménye hatékonyabb és sokrétűbb alkalmazást tesz lehetővé eltérő működési körülmények között, illetve különböző évszakokban is.

## KICSOMAGOLÁS ÉS SZÁLLÍTÁS

### KICSOMAGOLÁS

- Távolítsa el a kartondobozt rögzítő pántokat (1 Ábra).
- Nyissa ki a doboz tetejét.
- Emelje le a kartondobozt a készülékről.
- Távolítsa el a készüléket tartó rögzítőket (2 Ábra).
- Lassan gurítsa le a készüléket a raklapról.
- A helyi környezetvédelmi előírásoknak megfelelően helyezze el a használt csomagolóanyagokat.
- Ellenőrizze le a készüléket, hogy a szállítás alatt nem sérült-e meg, ha sérülést talál azonnal értesítse a kereskedőt.

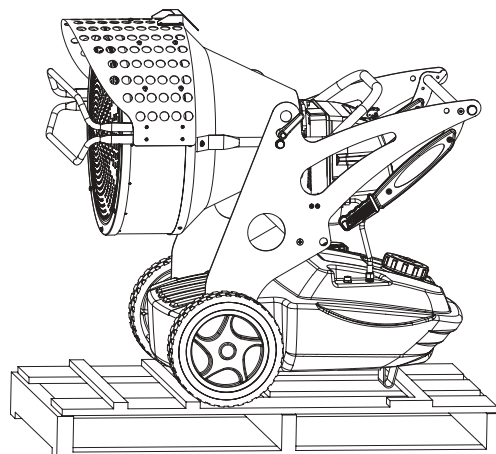


1 Ábra - Csomagolása

### SZÁLLÍTÁS ÉS TÁROLÁS

Ha a fűtőberendezést raktárban kell elhelyezni, komolyabban megsérült a szállítás alatt vagy javítani kell:

- Ellenőrizze, hogy a sérülés nem okozza-e az üzemanyag szivárgását, elfolyását. Ebben az esetben a maradék üzemanyagot el kell távolítani a tankból.
- Tároláshoz helyezze vissza a berendezést az eredeti vagy hasonló raklapra.
- Rögzítse a berendezést megfelelően a raklapon (2 Ábra).
- Ha lehetséges helyezze vissza az eredeti kartondobozt és rögzítse a raklaphoz megfelelően (1 Ábra).
- A berendezést megfelelő, száraz helyen kell tárolni, kettőnél többet egymásra helyezni nem szabad. Szállítani elsősorban az 1-es ábrán látható módon, de legalább a 2-es ábra szerinti módon ajánlatos.



2 Ábra - A raklapon

## FIGYELMEZTETÉS

### FIGYELMEZTETÉS

**⚠ FONTOS: A léghevítőt kizárólag mobil, ideiglenes szakipari alkalmazásokban történő felhasználásra tervezték. A termék nem alkalmas háztartási használatra illetve személyi kényelem biztosítására.**

**FONTOS: A hőszugárzó működtetése vagy bármilyen karbantartási művelet megkezdése előtt alaposan olvassa el az alábbi használati utasítást. A hőszugárzó helytelen üzemeltetése tűzből, robbanásból, égési sérülésekből, áramütésből vagy szén-monoxid-mérgezésből adódó komoly sérüléseket vagy halált okozhat.**

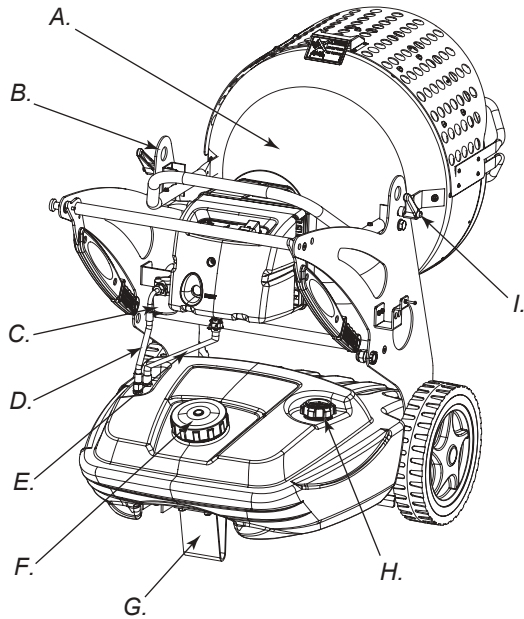
**VESZÉLY: A szén-monoxid mérgezés halált okozhat.**

Szén-monoxid mérgezés - A szén-monoxid mérgezés első tünetei hasonlóak az influenzás tünetekhez, fejfájás, szédülés és/vagy hányinger kísérheti. Ezeket a tüneteket a hőszugárzó helytelen működtetése okozhatja. Ha hasonló tüneteket észlel, azonnal menjen friss levegőre. A hőszugárzót adja szervizbe. A hőszugárzó ismételt üzembe helyezése kizárólag a szervizelés után történhet meg. Bizonyos esetekben a szén-monoxidnak súlyosabb hatásai is lehetnek; különösen érinti ez a terhes asszonyokat, szív-, vagy tüdőbetegeket, a vérszegénységben szenvedőket, valamint alkohol hatása alatt álló, vagy nagy magasságokon dolgozó személyeket. A hőszugárzó használójának el kell olvasnia és meg kell értenie az összes figyelmeztetést. Őrizze meg biztonságos helyen az alábbi használati utasítást, mert a benne szereplő információkra a későbbiekben is szüksége lehet: a hőszugárzó megfelelő és biztonságos használatához talál benne fontos ismertetőket.

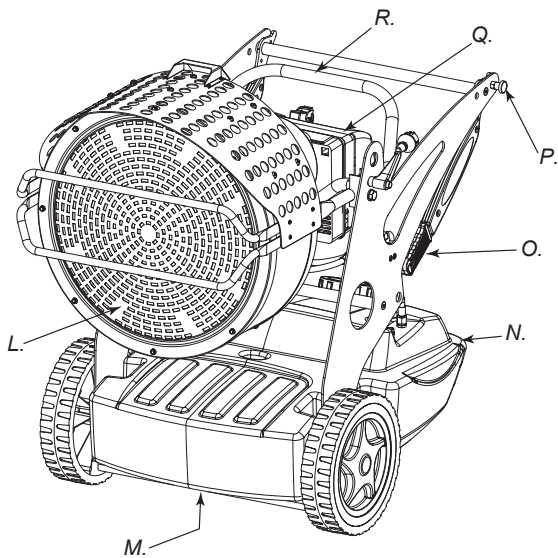
- Hogy csökkentse a tüzeset vagy robbanás veszélyét, a hőszugárzó működtetéséhez kizárólag petróleumot vagy gázolajat használjon. Semmilyen esetben ne használjon benzint, nehéz benzint, festékhígítót, alkoholt vagy egyéb gyúlékony anyagot.
- Az üzemanyagtartály megtöltése:
  - a) Az üzemanyagtartály feltöltésével foglalkozó személyzetnek rendelkeznie kell a megfelelő képesítéssel, valamint ismernie kell a hőszugárzó biztonságos üzemeltetésével kapcsolatos jogi előírásokat és gyári utasításokat.
  - b) Kizárólag a hőszugárzó azonosító tábláján világosan feltüntetett üzemanyagot használjon.
  - c) Az üzemanyagtartály megtöltése előtt oltsa el az összes lángot, köztük az ellenőrző lángot is, és hagyja lehűlni a hőszugárzót.
  - d) Az üzemanyagtartály töltése során ellenőrizze, hogy az összes üzemanyagcső valamint azok csatlakozásai hermetikusak. Szüntessen meg minden szivárgást a hőszugárzó újbóli beindítása előtt.
  - e) Semmilyen esetben nem szabad ugyanabban az épületben, vagy a hőszugárzó közelében az egy napi működést biztosító üzemanyag mennyiségénél nagyobb mennyiségű üzemanyagot tárolni. Az üzemanyag tárolására szolgáló tartályokat más épületben kell elhelyezni.
  - f) Az összes üzemanyag tárolására szolgáló tartályt minimum 762 cm távolságban kell tartani a hőszugárzótól, valamint a gázhegesztő égőtől, a hegesztő-berendezéstől és minden olyan tárgytól, mely gyulladás forrása lehet (ez nem érinti a hőszugárzóba beépített üzemanyagtartályokat).

- g) Az üzemanyagot olyan helyiségben kell tárolni, ahol a padlót borító anyag lehetetlenné teszi az üzemanyag kifolyása vagy kiszivárgása esetén az üzemanyag beszívódását, mivel az robbanásveszéllyel jár.
- h) Minden, az üzemanyag tárolására használt helyiségnek illetve tartálynak meg kell felelnie az érvényben lévő jogi előírásoknak.
  - Semmilyen esetben ne használja a hőszugárzót olyan helyiségben, ahol benzin, festékhígító vagy egyéb gyúlékony anyag található.
  - A hőszugárzó üzemeltetése idején az összes helyi rendeletet és aktuális jogi előírást be kell tartani.
  - A hőszugárzót tartsa biztonságos távolságban, ha azt szövetek, függönyök vagy hasonló nagy felületű anyagok mellett üzemelteti. A minimális biztonságos távolságot a hőszugárzó használatának országában megfelelő aktuális szabályok írják elő. Ezen kívül lefedésre tűzálló anyagokat ajánlatos használni. A hasonló jellegű anyagokat biztonságosan rögzítse, nehogy meggyulladjanak a hőszugárzóval való érintkezés, szél vagy huzat következményeként.
  - A hőszugárzót kizárólag jól szellőző helyiségekben használja. A friss levegő áramlásának céljából szükséges a megfelelő szellőzőnyílást vagy levegőcserét biztosító berendezést biztosítani, mely megfelel az adott területen érvényes előírásoknak.
  - A hőszugárzót az azonosító táblán megadott feszültség és frekvencia értékű áramforráshoz csatlakoztassa.
  - Kizárólag a földelt csatlakozóba megfelelően csatlakoztatott 3-vezetékes hosszabbítót használjon.
  - A minimális biztonságos távolságot az adott területen meghatározott előírások szerint tartsa be.
  - A hőszugárzót úgy helyezze el, hogy annak felmelegedése vagy működése esetén a felület, melyen áll, stabil és vízszintes maradjon. Ez a tüzeset előfordulásának veszélyét csökkenti.
  - Ha a hőszugárzót áthelyezi vagy tárolja, tartsa vízszintes helyzetben, hogy az üzemanyag ne folyjon ki.
  - A hőszugárzó közelében gyerekek vagy állatok tartózkodása tilos
  - Ha a hőszugárzó használaton kívül van, ki kell kapcsolni az elektromos áramforrásból.
  - Ne feledje, hogy a hőszugárzó bármelyik pillanatban beindulhat, ha azt más berendezés (termosztát vagy időszabályozó) irányítja.
  - A hőszugárzót semmilyen esetben ne használja lakásra használt helyiségekben.
    - Tilos lefedni a levegő beáramló és kiáramló nyílásokat.
    - Tilos a felmelegedett, elektromos áramforráshoz csatlakoztatott vagy működésben lévő hőszugárzót áthelyezni, üzemanyaggal tölteni vagy azon bármilyen karbantartási műveletet végezni.
  - Az első beindítás során keletkező füst az elpárolgó, az égőtérben lévő organikus (keramikus) anyagok, valamint az égőtér felületét biztosító korrózióvédő olaj égésének következménye. Néhány perc eltelté után a füstölgés abbamarad
  - A hőszugárzó működési hőmérséklete  $-30^{\circ}\text{C}$  és  $+40^{\circ}\text{C}$  között van.

## TERMÉK AZONOSÍTÓ

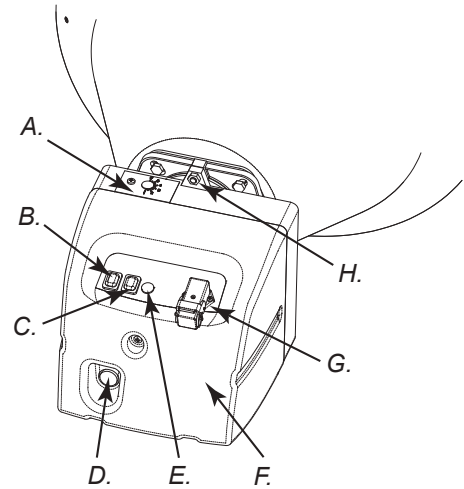


3 Ábra

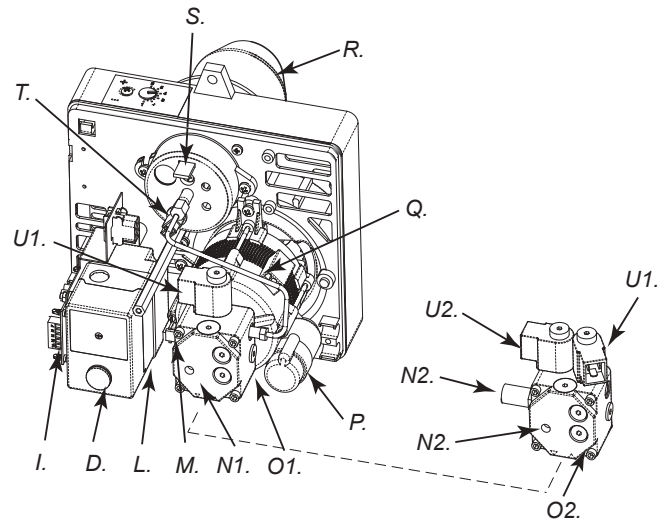


4 Ábra

**A.** Égőtér, **B.** Emelési pont a szállításhoz, **C.** Üzemanyagszűrő vagy előmelegített üzemanyagszűrő (OPCIÓ), **D.** Üzemanyag bevezető cső, **E.** Üzemanyag visszavezető cső, **F.** Üzemanyagtartály fedél, **G.** Kitámasztó vagy kerék (OPCIÓ), **H.** Üzemanyagszint jelző, **I.** Égőtér védőberendezése, **L.** Első hőterelő, **M.** Üzemanyag leeresztő dugó, **N.** Üzemanyagtartály, **O.** Hőszugárzót mozgató kar, **P.** Zsanér szerkezet, **Q.** Égő, **R.** Dőlésszög szabályzó



5 Ábra - Az hőszugárzó vezérlőegységei



6 Ábra - Hőszugárzó, az égő másodlagos egységei

**A.** Levegőnyílások szabályzója, **B.** Lámpajelzéssel ellátott BE/KI kapcsológomb, **C.** Üzemanyag melegítés kapcsoló (OPCIÓ) (XL 9SR), **D.** Újraindítás kapcsoló, **E.** Táplálás jelző, **F.** Égő borítás, **G.** Termosztát csatlakozó, **H.** Rögzítő csavar, **I.** Utólagos hűtőventilátor, **L.** Láng szabályzó, **M.** Transzformátor, **N1.** Szivattyú szabályzó (XL 9ER), **N2.** Szivattyú szabályzó (XL 9SR), **O1.** Szivattyú (XL 9ER), **O2.** Szivattyú (XL 9SR), **P.** Kondenzátor, **Q.** Motor, **R.** Égőcső, **S.** Égőfej szabályzó, **T.** Fotóellenállás, **U1.** Electrovalve 1° (XL 9ER-SR), **U2.** Electrovalve 2° (XL 9SR)

## ÜZEMANYAG

**FIGYELMEZTETÉS: A hőszugárzót KIZÁRÓLAG petróleummal vagy gázolajjal működtesse.**

Szennyezett üzemanyag használatának következményei lehetnek:

- A szűrő és az üzemanyag-fűvóka eltömődése.
- Szenes lerakódás képződése az elektródákon.

Alacsony hőmérsékleten használjon környezetkímélő fagyállót.

## A MŰKÖDÉS LEÍRÁSA

A megfelelő égéshez szükséges szellőztetés az égőben található ventilátornak köszönhető. A levegő átáramlik az égő karján és összekeveredik az üzemanyaggal, amelyet a magas nyomás alatt lévő kivezető fűvóka szétporlaszt. Az üzemanyagot a rotációs szivattyú felszívja fel a tartályból, amelyik a magas nyomás alatt a szétporlasztáshoz belenyomja a fűvókába.

## HASZNÁLATI UTASÍTÁS

**FIGYELMEZTETÉS: Mielőtt a hőszugárzót használni kezdi, valamint mielőtt azt elektromos hálózatba csatlakoztatja, ellenőrizze, hogy a táplálási hálózat megfelel a hőszugárzó azonosító tábláján feltüntetett paramétereknek.**

### A HŐSZUGÁRZÓ ÜZEMBE HELYEZÉSE


1. Tartsa be az összes biztonsági előírást.
2. Töltse meg az üzemanyagtartályt gázolajjal vagy petróleummal.
3. Zárja le az üzemanyagtartályt.
4. Csatlakoztassa az elektromos vezetékét az azonosító táblán feltüntetett feszültség értékű földelt fali csatlakozóba.

### A HŐSZUGÁRZÓ ÜZEMBE HELYEZÉSE TERMOSZTÁT NÉLKÜL


#### • XL 9ER

Állítsa a kapcsolót (B Ábra 5) bekapcsolt állapotba (I). A hőszugárzó az égő beindulása után 10 másodperccel előzetes ventilációs üzemmódban megkezd munkáját.

#### • XL 9SR

**FIGYELEM: A készülék indítása előtt győződjön meg arról, hogy a jelű kapcsoló (C Ábra 5)  es helyzetben van.**

Állítsa a jelű kapcsolót (B Ábra 5) bekapcsolt helyzetbe (I). Az előszellőztetés megkezdődik majd körülbelül 10 másodperc múlva a készülék begyűjt.

A lehetséges maximális hőteljesítmény eléréséhez állítsa a jelű kapcsolót (B Ábra 5) es helyzetbe .

### A HŐSZUGÁRZÓ ÜZEMBE HELYEZÉSE TERMOSZTÁTTAL

Állítsa be a termosztátot, vagy irányítóberendezést (pl. időszabályzó), ha az csatlakoztatva van, úgy hogy lehetővé tegye a hőszugárzó működését.

**FIGYELMEZTETÉS: A hőszugárzó KIZÁRÓLAG akkor működik automatikus üzemmódban, ha irányítóberendezéssel, például termosztáttal vagy időszabályzóval csatlakozik. Az irányítóberendezést az elektromos csatlakozási rajznak megfelelően csatlakoztassa.**

A hőszugárzó beindítása előtt vagy az üzemanyagcső teljes kiürülése után az üzemanyag áramlása a fűvókába túl alacsony, ami a lángellenőrző biztonsági berendezés beindulását okozza (lásd BIZTONSÁGI BERENDEZÉS), minek következtében a hőszugárzó leáll. Ebben az esetben, kb. 1 perc várakozás után nyomja meg az újraindítás gombot (D Ábra 5), és indítsa be a hőszugárzót.

Ha a hőszugárzót nem lehet beindítani:

1. Győződjön meg, hogy az üzemanyagtartályban (N Ábra 4) van üzemanyag.
2. Nyomja meg az újraindítás gombot (D Ábra 5-6).

Ha a hőszugárzó továbbra sem indul be, ismerkedjen meg a MEGHIBÁSODÁSOK ÉS VALÓSZÍNŰ OKAIK fejezettel, az esetleges meghibásodás okának megállapítása céljából.

**VIGYÁZAT: A megismételt gyújtás előtt (leállt és megfelelően hideg generátor mellett) le kell blokkolni a csavart, amely az elől lévő deflektort blokkolja le (L 4. sz. rajz).**

**FIGYELMEZTETÉS: A hőszugárzót kizárólag földelt elektromos rendszerhez csatlakoztassa, mely differenciális mágneses hőkapcsolóval rendelkezik. A hőszugárzó elektromos vezetékét szekciós csatlakozóval ellátott csatlakozóhoz csatlakoztassa.**

### A HŐSZUGÁRZÓ KIKAPCSOLÁSA

Állítsa a kapcsolót (5 Ábra B) kikapcsolt állapotba (O), vagy kapcsolja ki a termosztátot vagy az irányítóberendezést (időszabályzó), ha ilyen berendezés csatlakozik a hőszugárzóhoz. A láng kialszik, de a levegőfűvás továbbra is működni fog egészen az utólagos ventiláció (hűtés) ciklusának leállításáig.

**FIGYELMEZTETÉS: Mielőtt kihúzza az elektromos vezetékét a fali csatlakozóból, várja meg az utólagos hűtőventiláció ciklusának teljes leállítását (a hűtés kb. 3 percig tart).**

## BIZTONSÁGI BERENDEZÉS

A hőszugárzó a lángot ellenőrző biztonsági berendezéssel van ellátva (L Ábra 6). Ha a hőszugárzó működése folyamán rendellenességek lépnek fel, a biztonsági berendezés kikapcsolja az égőt, és bekapcsolja az újraindítás gomb világítását (D Ábra 5-6).

A hőlégfűvó útőszellőztető funkciója optimális, körülbelül 3 percig tartó hűtést biztosít az égőtér számára.

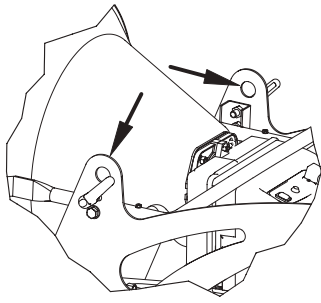
A hőszugárzó újraindítása előtt azonosítsa be és távolítsa el a hibát, mely az égő leállítását okozta.

## ÁTHELYEZÉS ÉS SZÁLLÍTÁS

**VIGYÁZAT: A gép megemlése vagy áthelyezése előtt ellenőrizni kell, hogy a tartály fedele (F és H 3 sz. Ábra) megfelelően van lezárva.**

### ÁTHELYEZÉS

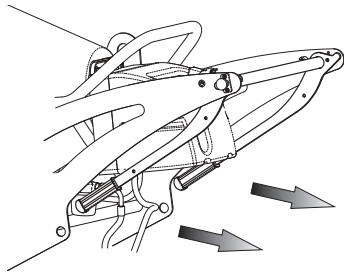
A generátort könnyen áthelyezheti, és a mechanikus szemescsavarnak köszönhetően (B sz. Ábra 7-3) megemelt pozícióban felszerelheti. Ez lehetővé teszi a tárgy felmelegítéséhez, felolvasztásához vagy megszártásához megfelelő pozícióba való helyezését.



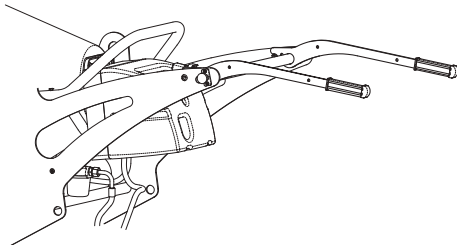
7 Ábra - Hooks

**SZÁLLÍTÁS**

A hőszugárzó forgó hátsó kerékekkel lehet ellátva (G Ábra 3). Ebben az esetben - ha a padlót borító anyag lehetővé teszi - a hőszugárzót tolvá át lehet helyezni. Ha a hőszugárzó nincs ellátva ilyen kerékekkel, akkor biztosítsa ki a hőszugárzó oldalsó merevítőjén található karok rögzítőjét (P Ábra 4). Állítsa a fogantyúkat zárt pozícióból (8 Ábra) szállítási pozícióba (9 Ábra). Emelje meg a hőszugárzót úgy, hogy az csak a két első keréken támaszkodjon, majd helyezze át a kívánt helyre.



8 Ábra - Hőszugárzó, mozgatókarok zárt pozícióban



9 Ábra - Hőszugárzó, mozgatókarok szállítási pozícióban

**FIGYELMEZTETÉS:** Mielőtt áthelyezné a hőszugárzót: kapcsolja ki a berendezést a „HŐSUGÁRZÓ KIKAPCSOLÁSA” pontban leírt utasítások szerint; húzza ki az elektromos vezeték csatlakozóját a fali csatlakozóból, ezzel kapcsolja ki a hőszugárzót a tápforrásból; várjon míg a hőszugárzó lehűl.

**KARBANTARTÁSI ÜTEMTERV**

**FIGYELMEZTETÉS:** Bármilyen karbantartási művelet végrehajtása előtt: kapcsolja ki a berendezést a „HŐSUGÁRZÓ KIKAPCSOLÁSA” pontban leírt utasítások szerint; húzza ki az elektromos vezeték csatlakozóját a fali csatlakozóból, ezzel kapcsolja ki a hőszugárzót a tápforrásból; várjon míg a hőszugárzó lehűl.

Az utasításban megadott szervízciklus időtartama erősen függ az alkalmazott üzemanyag tisztaságától és a környezeti tényezőktől, ahol a készüléket használják. A megadott értékek tiszta üzemanyag esetén, jól szellőző, viszonylag pormentes helyiségben történő használatra vonatkoznak.

Minden 50 üzemeltetési óra után:

- Szerelje ki a szűrőbetétet (lásd. „AZ ÜZEMANYAGSZŰRŐ TISZTÍTÁSA” pontot) és tisztítsa meg.

Minden 200 üzemeltetési óra után:

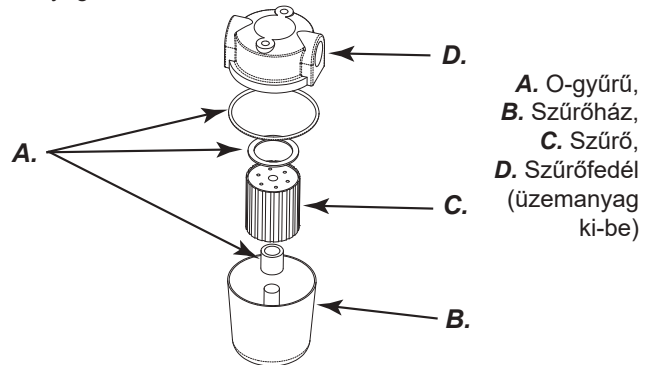
- Szerelje ki a Üzemanyagszivattyú (lásd. „AZ ÜZEMANYAGSZIVATTYÚ SZŰRŐJÉNEK TISZTÍTÁSA” pontot) és tisztítsa meg.

Minden 300 üzemeltetési óra után:

- Szerelje szét az égőt és tisztítsa meg az égőcső belsejét, a lángtárcsát és az elektródákat, ha szükséges állítsa be azok távolságát (lásd. „AZ ÉGŐ TISZTÍTÁSA” pontot).

**AZ ÜZEMANYAGSZŰRŐ TISZTÍTÁSA**

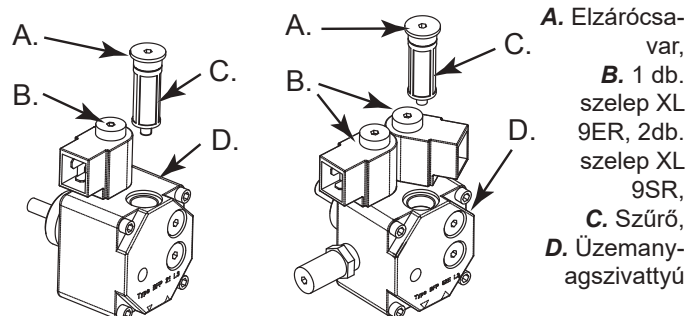
- Csavarja ki a műanyag tartót és vegye ki a szűrőbetétet.
- Petróleum segítségével alaposan tisztítsa meg a betétet.
- Helyezze vissza a szűrőbetétet és csavarja be a tartót az üzemanyagszűrő rendszer testébe.



10 Ábra - Az hőszugárzó szűrője

**AZ ÜZEMANYAGSZIVATTYÚ SZŰRŐJÉNEK TISZTÍTÁSA**

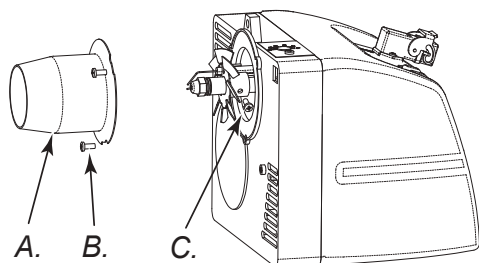
- Nyissa ki a vezérlődobozt (5 Ábra) az üzemanyagszivattyú beazonosításához (O1 vagy O2, 6 Ábra).
- Csavarja ki az „A” jelű csavart, amely a szűrőelemet tartja (11 Ábra).
- Vegye ki a „C” jelű szűrőelemet a helyéről (11 Ábra).
- Tisztítsa meg a szűrőelemet benzinnel és hagyja megszáradni.
- Helyezze vissza a szűrőelemet és rögzítse a csavart.



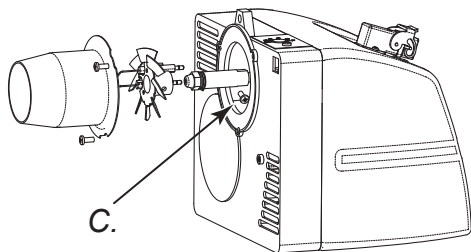
11 Ábra - Üzemanyagszivattyú

**AZ ÉGŐ TISZTÍTÁSA**

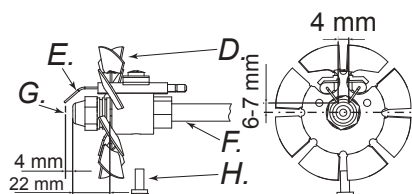
- Csavarja ki a rögzítőcsavart (H Ábra 5), mely az égőt (A ábra 3) rögzíti az égőtérben.
- Vegye ki az égőt az égőtérből (3 Ábra).
- Csavarja ki a három rögzítőcsavart (B Ábra 12), melyek az égő csövét (A Ábra 12) rögzítik.
- Vegye le a csövet.
- Csavarja ki a rögzítőcsavart (C Ábra 13), mely a tárcsaberendezést rögzíti az elektródákhoz és vegye ki a fúvóka tartóját (F Ábra 14).
- Tisztítsa meg a lángtárcsát (D Ábra 14) és az elektródákat (E Ábra 14).
- Csavarja ki a fúvókát (G Ábra 14) a fúvóka tartójából (F Ábra 14) és tisztítsa meg, vagy szükség esetén cserélje ki.
- Csavarja be a fúvókát (G Ábra 14) a fúvóka tartóba.
- Szerelje vissza a lángtárcsa-elektrodák csoportot, figyelembe véve a megfelelő távolságok megtartását, ahogy az a (14 Ábra) látható.



12 Ábra - Az égő szétszerelése

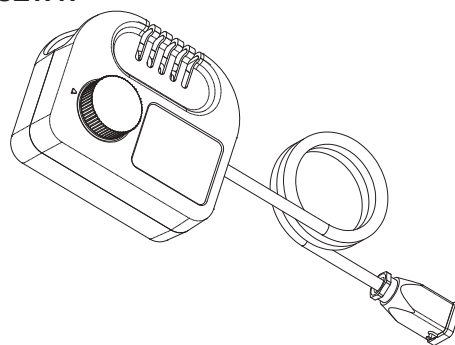
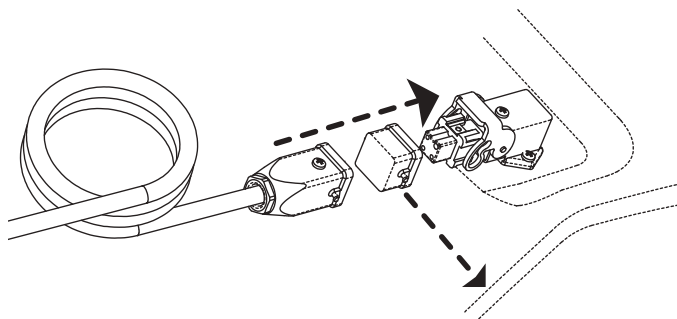


13 Ábra - Lángtárcsa-elektroda csoport

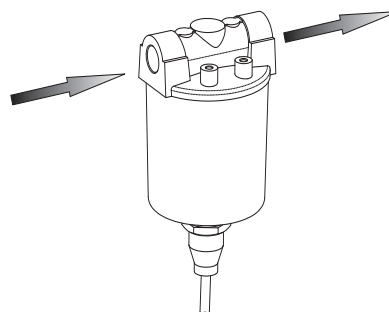
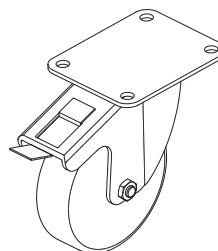


14 Ábra - Az elektródák és a fúvóka távolsága

A. Égőcső, B. Csavar égőcső, C. Csavar lángtárcsa, D. Lángtárcsa, E. Elektródák, F. Cső, G. Fúvóka, H. Csavar

**KIEGÉSZÍTŐK  
TERMOZTÁT****AZ IRÁNYÍTÓBERENDEZÉS CSATLAKOZTATÁSA**

**FIGYELMEZTETÉS:** Bármilyen szerelési folyamat előtt kapcsolja ki a hőszugárzót a „HŐSUGÁRZÓ KIKAPCSOLÁSA” pontban leírt utasítások szerint; húzza ki az elektromos vezeték csatlakozóját a fali csatlakozóból, ezzel kapcsolja ki a hőszugárzót a tápforrásból; várjon míg a hőszugárzó lehűl.

**ÜZEMANYAGOT ELŐMELEGÍTŐ SZŰRŐ****FÉKKEL ELLÁTOTT FORGÓKERÉK**

## MEGHIBÁSODÁSOK ÉS VALÓSZÍNŰ OKAI

**FIGYELMEZTETÉS:** Bármilyen szerelési folyamat előtt kapcsolja ki a hőszugárzót a „HŐSZUGÁRZÓ KIKAPCSOLÁSA” pontban leírt utasítások szerint; húzza ki az elektromos vezeték csatlakozóját a fali csatlakozóból, ezzel kapcsolja ki a hőszugárzót a tápforrásból; várjon míg a hőszugárzó lehűl.

MEGHIBÁSODÁS	VALÓSZÍNŰ OKOK	JAVÍTÁS MÓDJA
A hőszugárzó égő láng mellett kapcsol be. Az újraindító kapcsoló (5-6 Ábra D) bekapcsolt állapotban	<ol style="list-style-type: none"> <li>1. Szünet a fotóellenállás áramkörében, vagy a fotóellenállás bekormozódott</li> <li>2. Az égőtérben szennyeződés van</li> <li>3. A lángszabályzó rendszer meghibásodott</li> <li>4. A lángcső vagy a lángtárcsa szennyeződése (12, 13, 14 Ábra)</li> </ol>	<ol style="list-style-type: none"> <li>1. Tisztítsa meg vagy cserélje ki a fotóellenállást</li> <li>2. Szerelje szét az első hőterelőt és tisztítsa az égőtér belsejét</li> <li>3. Cserélje ki a lángszabályzó rendszert</li> <li>4. Szerelje szét és tisztítsa meg</li> </ol>
A hőszugárzó üzemanyag befecskendezésével, a láng meggyújtása nélkül áll le. Az újraindító kapcsoló (5-6 Ábra D) bekapcsolt állapotban	<ol style="list-style-type: none"> <li>1. Az elektromos rendszer meghibásodott</li> <li>2. A gyújtótranszformátor (6 Ábra M) nem csatlakozik vagy meghibásodott</li> <li>3. A gyújtótranszformátort védő földelő vezeték zárlatos</li> <li>4. Az elektródák távolsága nincs megfelelően beállítva</li> <li>5. Az elektródákat védő földelő vezeték zárlatos, szennyeződés vagy a szigetelés meghibásodásának következményeként</li> </ol>	<ol style="list-style-type: none"> <li>1. Ellenőrizze a hőszugárzó egész elektromos rendszerét</li> <li>2. Cserélje ki</li> <li>3. Cserélje ki</li> <li>4. Állítsa be az elektródák megfelelő távolságát (14 Ábra)</li> <li>5. Tisztítsa meg, vagy szükség esetén cserélje ki az e</li> </ol>
A hőszugárzó fűvókája nem fecskendezi be az üzemanyagot, a hőszugárzó leáll. Az újraindító kapcsoló (5-6 Ábra D) bekapcsolt állapotban	<ol style="list-style-type: none"> <li>1. A fotocella túl erős fényt érzékel</li> <li>2. Nincs fázis az elektromos motor táplálásában</li> <li>3. Az üzemanyag nem jut el a szivattyúig</li> <li>4. Az üzemanyagtartály üres</li> <li>5. A fűvóka eltömődött</li> </ol>	<ol style="list-style-type: none"> <li>1. Fordítsa a berendezést úgy, hogy a fény ne érje közvetlenül a hőleadó felületet</li> <li>2. Ellenőrizze az elektromos rendszert</li> <li>3. Ellenőrizze az üzemanyagcsöveket</li> <li>4. Töltse meg üzemanyaggal az üzemanyagtartályt (3 Ábra D)</li> <li>5. Tisztítsa meg, vagy cserélje ki a fűvókát</li> </ol>
Az égő nem indul be	<ol style="list-style-type: none"> <li>1. Az irányítóberendezés (termosztát vagy időszabályzó) bekapcsolt állapotban van</li> <li>2. Zárlat a fotóellenállás áramkörében (6 Ábra T)</li> <li>3. A kapcsoló kikapcsol, vagy a hálózati feszültség megszűnése miatt a főkapcsoló kikapcsolódik, ennek következményeként megszűnik a tápfeszültség</li> <li>4. Az irányítóberendezés (termosztát vagy időszabályzó) nem megfelelően csatlakozik</li> <li>5. A lángszabályzó rendszer meghibásodott</li> <li>6. Az égő védőborítása alatt lévő biztosíték kiégett</li> </ol>	<ol style="list-style-type: none"> <li>1. Állítsa magasabb fokozatra az irányítóberendezést, vagy ellenőrizze az időszabályzót</li> <li>2. Cserélje ki</li> <li>3. Állítsa le az elektromos rendszert, majd kapcsolja le a csatlakozókat vagy várja meg míg visszaáll az elektromos táplálás</li> <li>4. Az elektromos csatlakozási rajz alapján ellenőrizze hogy megfelelő-e a csatlakoztatás</li> <li>5. Cserélje ki</li> <li>6. Cserélje ki (5 Ábra F)</li> </ol>
A láng nem megfelelően ég, a berendezés kellemetlen szagot áraszt, fekete füst vagy lángok jönnek az első hőterelőből	<ol style="list-style-type: none"> <li>1. Alacsony porlasztó nyomás</li> <li>2. Elégtelen levegőellátás</li> <li>3. A fűvóka eltömődött, piszkos vagy elhasználódott</li> <li>4. Víz van az üzemanyagban vagy nem megfelelő az üzemanyag minősége</li> <li>5. Kifogyott az üzemanyag a tankból</li> </ol>	<ol style="list-style-type: none"> <li>1. Állítsa be a helyes értéket</li> <li>2. Növelje a levegőmennyiséget</li> <li>3. Tisztítsa meg vagy cserélje ki a fűvókát</li> <li>4. Tisztítsa ki az üzemanyagvezetékét (M Ábra 4)</li> <li>5. Töltse fel a tankot</li> </ol>



## INDEX

1. PREZENTAREA PRODUSULUI
1. DESPACHETAREA
2. INFORMATII DE SIGURANTA IN EXPLOATARE
3. IDENTIFICAREA PRODUSULUI
4. COMBUSTIBILUL
4. PRINCIPIUL DE FUNCTIONARE
4. INSTRUCIUNI DE UTILIZARE
4. DISPOZITIV UL DE SIGURANTA
4. MUTAREA SI TRANSPORTUL
5. PROGRAMUL DE INTRETINERE PREVENTIVA
6. ACCESORII
7. DEFECTE SI CAUZELE LOR

## PREZENTAREA PRODUSULUI

XL 9 este un generator radiant de caldura. Tehnologia caldurii radiante este bazata pe acelasi pricipiu fizic similar cu incalzirea produsa de razele soarelui. Soarele incalzeste fara curenti de aer cald, ci prin razele sale. Caldura radianta devine din ce in ce mai populara printre clientii profesioniști datorita avantajelor nenumarate pe care le ofera. XL 9 a fost proiectat pe baza principiului desris mai sus si a devenit de neînlocuit in locuri in care este nevoie de o sursa de caldura constanta pentru incalzire, dezghetare sau uscare. Mai mult zgomotul extrem de scazut produs de incalzitor îl recomanda pentru utilizarea in locuri in care alte incalzitoare ar produce zgomot mai mare. Incalzitorul este prevazut cu roți din cauciuc pentru o mutare usoara si poate fi reglat la diferite unghiuri si înalțimi prin intermediul sistemului de bolturi. Autonomia marita si functionarea automata cu termostat asigura operatorului o utilizare usoara. Indicatorul extern al nivelului de combustibil din rezervor asigura o verificare usoara a acestuia. Modelul SR este prevazut cu un dispozitiv care permite reglarea puterii ceea ce conduce la o utilizare mult mai eficienta a incalzitorului in diferite conditii si anotimpuri.

## DESPACHETAREA SI TRANSPORT

### DESPACHETAREA

- Îndepartati suportii folositi pentru împachetarea incalzitorului (Fig. 1).
- Deschideti partea de sus a cutiei.
- Desfaceti ambalajul din carton începând din partea superioara.
- Demontati suportii care fixeaza incalzitorul pe palet (Fig. 2).
- Dati jos incalzitorul cu grija de pe palet.
- Aruncati materialele folosite la ambalarea incalzitorului in conformitate cu regulile de mediu din tara dvs.
- Verificati ca incalzitorul sa nu fie deteriorat ca urmare a transportului; in cazul in care este deteriorat informati imediat magazinul de la care l-ati cumparat.

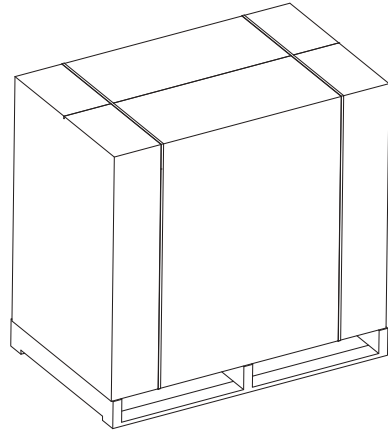


Figura 1 - Impachetat

### TRANSPORT SI DEPOZITARE

Daca incalzitorul trebuie depozitat, a fost deteriorat la transport sau trebuie reparat:

- Verificati natura defectului in special daca defectul poate provoca scurgeri de carburant. In acest caz goliti carburantul din rezervor.
- Pentru depozitare, amplasati incalzitorul pe acelasi palet de pe care a fost despachetat sau pe orice alt europalet potrivit.
- Fixati ferm incalzitorul pe palet (Fig. 2).
- Daca este posibil împachetati-l in cutia de carton (de sus in jos) si fixati cutia ferm utilizand materiale adecvate (Fig. 1).
- Depozitati incalzitorul într-un loc adecvat, uscat si nu suprapuneti mai mult de doua. Amplasati incalzitorul ca in Fig. 1 (de preferat) sau in cel mai rau caz ca in Fig. 2.

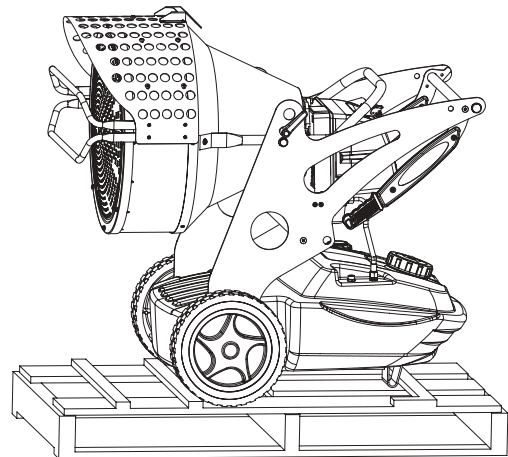


Figura 2 - Pe palet

## INFORMAȚIILE LEGATE DE EXPLOATAREA ÎN CONDIȚII DE SIGURANȚĂ

### AVERENT



**IMPORTANT:** Încălzitorul de aer a fost proiectat pentru aplicații profesionale mobile și temporare. Nu a fost proiectat pentru uz casnic și nici pentru confortul termic al persoanelor.

**IMPORTANT:** Înainte de a trece la punerea în funcțiune sau orice altă operație legată de conservarea încălzitorului, trebuie să citiți cu atenție și să înțelegeți bine prezentele instrucțiuni. Exploatarea incorectă a încălzitorului poate determina vătămări corporale serioase sau chiar decese, în urma unor arsuri, incendii, explozii, electrocutări sau intoxicații cu monoxid de carbon.

**PERICOL:** Intoxicarea cu monoxid de carbon poate fi mortală.

Intoxicarea cu monoxid de carbon - Primele manifestări ale intoxicației cu monoxid de carbon amintesc de simptomele gripei: dureri de cap, amețeală și/sau indispoziție. Aceste manifestări pot fi determinate de funcționarea incorectă a încălzitorului. În cazul observării acestor simptome trebuie imediat să ieșiți la aer curat! Încălzitorul trebuie trimis la reparație. Pornirea încălzitorului poate fi efectuată doar după ce acesta a fost reparat. Unele persoane resimt mai puternic efectele acțiunii monoxidului de carbon, mai ales femeile gravide, cei ce suferă de afecțiuni ale aparatului circulator, de boli de plămâni, anemie, persoanele sub influența alcoolului, sau cele care locuiesc în regiuni situate la o mare altitudine geografică. Utilizatorul încălzitorului trebuie să citească și să înțeleagă toate avertismentele. Aceste instrucțiuni trebuie păstrate într-un loc sigur pentru a fi folosite în viitor: utilizatorul le poate utiliza oricând pe post de ghid pentru a opera adecvat și sigur încălzitorul.

- Pentru a micșora pericolul incendiului sau exploziei în timpul operării încălzitorului folosiți doar combustibil motorină sau Diesel. În nici un caz nu este permis să folosiți benzină, benzină grea, diluanți de vopsele, alcool sau alte substanțe ai căror vapori sunt puternic inflamabili.
- Umplerea rezervorului:
  - a) Personalul care se ocupă de umplerea rezervorului trebuie să posede calificările necesare și să cunoască foarte bine instrucțiunile de fabrică și normele în vigoare referitoare la exploatarea în condiții de siguranță a încălzitoarelor de aer.
  - b) Folosiți numai tipul de combustibil stabilit clar și înscris pe tăblița de identificare a încălzitorului.
  - c) Înainte de începerea umplerii rezervorului stingeți toate flăcările, inclusiv flacăra de control și lăsați încălzitorul să se răcească.
  - d) În timpul umplerii rezervorului trebuie verificate toate conductele de combustibil și bransamentele acestora – totul trebuie să fie etanș. Orice scurgere se va remedia înainte de repunerea în funcțiune a încălzitorului.
  - e) În nici un caz nu se admite depozitarea în aceeași clădire, în apropierea încălzitorului, a unei cantități de combustibil mai mari decât cea necesară funcționării acestuia pentru o zi. Rezervoarele pentru depozitarea combustibilului trebuie să se găsească într-o clădire separată.

- f) Toate rezervoarele de combustibil trebuie să se afle într-o încăpere situată la o distanță minimă de 762 cm de încălzitor și de asemenea față de arzătoarele de hidro-oxigen, aparate de sudură sau alte surse de aprindere (cu excepția rezervorului de combustibil din interiorul încălzitorului).
- g) Combustibilul trebuie păstrat în încăperi în care podeaua nu permite absorbția combustibilului în cazul vărsării sau scurgerii acestuia din conducta de alimentare cu combustibil, deoarece aceasta poate duce la un incendiu.
- h) Toate încăperile și recipientele pentru păstrarea combustibilului trebuie să fie conforme normelor și legilor în vigoare.
  - Nu folosiți niciodată încălzitorul în încăperi în care se află benzină, diluanți de vopsele și lacuri, sau alte substanțe puternic inflamabile.
  - Întrebuințarea încălzitorului se va face numai cu respectarea tuturor normelor locale și regulamentelor specifice în vigoare.
  - Utilizarea încălzitoarelor în apropierea unor prelate impregnate, a unor pânze sau alte asemenea materiale de protecție sau acoperire, se va face respectându-se distanța de siguranță față de aceste materiale. Distanța minimă admisă este reglementată de legile și normele în vigoare în țara unde se folosește încălzitorul. Se recomandă utilizarea materialelor de acoperire rezistente la foc. Aceste materiale se vor fixa astfel, încât să nu intre în contact cu focul, sau orice altă interferență cu încălzitorul, ca urmare a vântului.
  - Încălzitoare se vor folosi numai în încăperi bine ventilate. Este necesară asigurarea schimbării de aer; pentru aceasta executați un orificiu adecvat sau instalați un dispozitiv adecvat, conform cerințelor locale, pentru a permite accesul aerului proaspăt.
  - Încălzitorul se va branșa numai la surse de alimentare electrică cu tensiune și frecvență în conformitate cu valorile nominale înscrise pe tăbliță.
  - Utilizați numai prelungitoare cu trifilare, conectate adecvat la un ștecker cu pământare.
  - Ca distanță minimă socotiți distanța cerută de legile și normele locale.
  - Încălzitorul trebuie plasat astfel încât, după încălzire și în timpul lucrului acestuia suprafața pe care a fost amplasat să rămână orizontală și stabilă. Aceasta va elimina riscul de apariție a unui incendiu.
  - În timpul transportării sau depozitării încălzitorului trebuie să îl mențineți în poziție orizontală, pentru a nu permite vărsarea combustibilului.
  - La locul unde este amplasat încălzitorul nu se permite accesul copiilor și animalelor.
  - Dacă nu folosiți încălzitorul, acesta trebuie decuplat de la tensiunea electrică.
  - Nu uitați că încălzitorul controlat de către un alt dispozitiv (ca de exemplu un termostat sau o priză cu ceas) poate porni singur în orice moment.
  - În nici un caz nu amplasați încălzitorul în încăperile locuibile.
  - Nu este permisă acoperirea gurilor de intrare sau de ieșire a aerului.
  - Dacă încălzitorul este cald sau bransat la rețea, nu se permite în nici un caz deplasarea sau mișcarea acestuia, nici umplerea rezervorului de combustibil sau orice altă operație de conservare.
  - Fumul care este vizibil în timpul primei porniri a încălzitorului este cauzat de arderea și evaporarea a materialelor organice (ceramice) prezente în camera de ardere și a uleiului anticorosiv aplicat pe suprafața arzătorului. După câteva minute fumul va înceta.
  - Intervalul temperaturilor mediului de lucru al încălzitorului este -30°C până la +40°C.

## IDENTIFICAREA PRODUSULUI

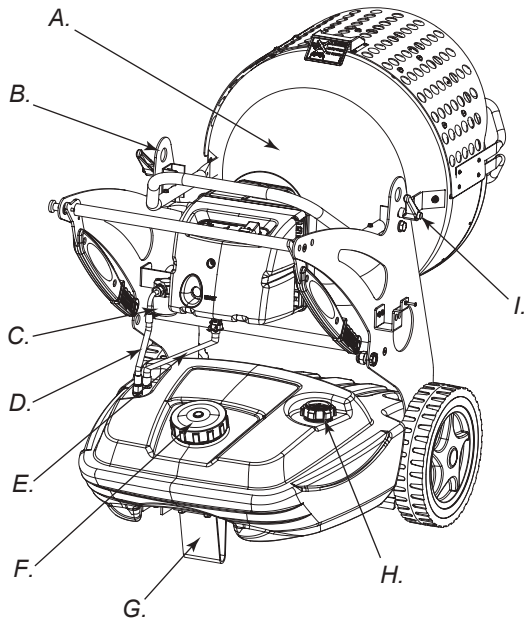


Figura 3

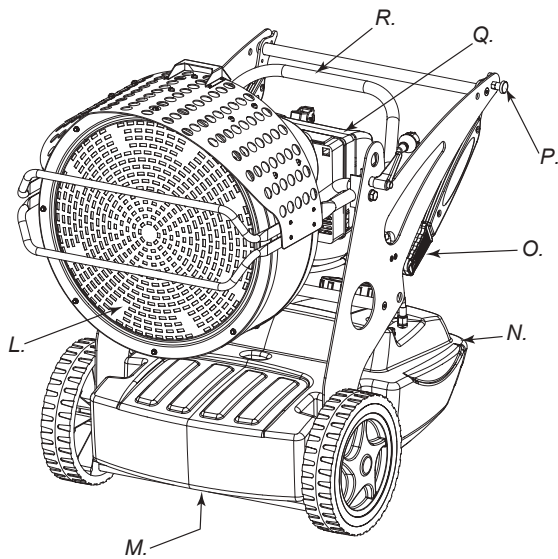


Figura 4

**A.** Camera de ardere, **B.** Inel de transport, **C.** Filtru de combustibil sau filtru de încălzire primară a combustibilului (OPȚIUNE), **D.** Conducta de alimentare cu combustibil, **E.** Conducta de întoarcere a combustibilului, **F.** Capacul rezervorului de combustibil, **G.** Talpă sau roată (OPȚIUNE), **H.** Indicatorul nivelului de combustibil, **I.** Blocarea ansamblului camerei de ardere, **L.** Deflector frontal, **M.** Capacul de evacuare a combustibilului, **N.** Rezervor de combustibil, **O.** Suport pentru transportarea încălzitorului, **P.** Blocarea sistemului de montare, **Q.** Arzător, **R.** Reglarea unghiului de înclinare

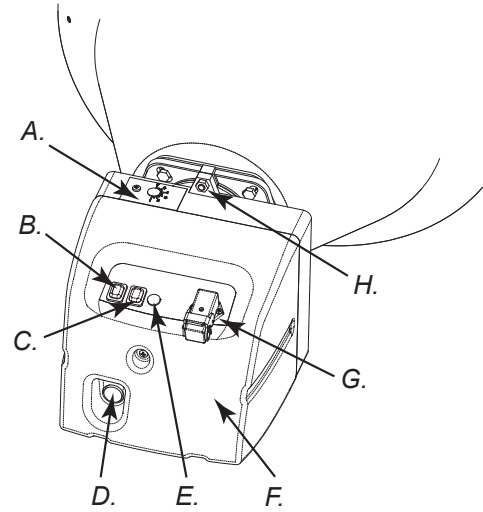


Figura 5 - Dispozitivul de comandă al încălzitorului

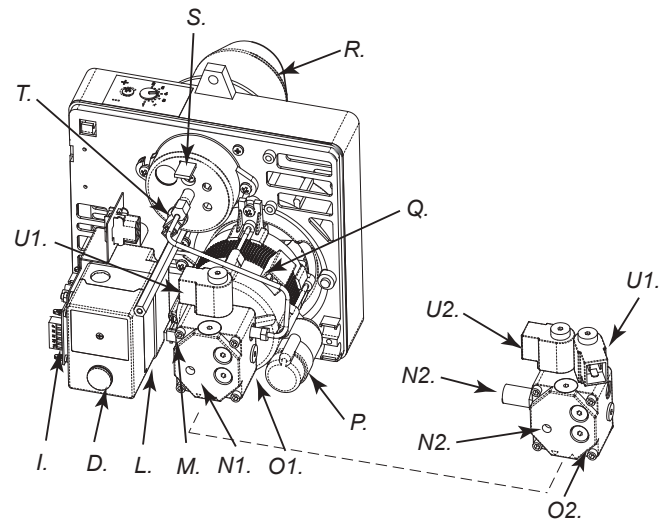


Figura 6 - Componentele arzătorului încălzitorului

**A.** Reglajul gurilor de aer, **B.** Buton iluminat PORNIT / OPRIT, **C.** comutatorul pentru încălzirea combustibilului (OPȚIUNE) (XL 9SR), **D.** Butonul de re-pornire, **E.** Indicatorul de alimentare, **F.** Carcasa arzătorului, **G.** Intrare termostat, **H.** Șurub **I.** Ventilarea ulterioară, **L.** Regulator de flacără, **M.** Transformator, **N1.** regulator de pompă (XL 9ER), **N2.** Regulator de pompă (XL 9SR), **O1.** Pompa (XL 9ER), **O2.** Pompa (XL 9SR), **P.** Condensator, **Q.** Motor, **R.** Țeava arzătorului, **S.** Regulatorul capului de ardere, **T.** Rezistor fotoelectric. **U1.** Ventil electric 1° formare flacără (XL 9ER-SR), **U2.** Ventil electric 2° formare flacără (XL 9SR)

## COMBUSTIBILUL

**ATENȚIE: Încălzitorul poate fi alimentat doar cu motorină sau combustibil Diesel.**

Utilizarea unui combustibil de proastă calitate poate duce la:

- Blocarea filtrului și a duzei de combustibil.
- Apariția depunerilor de carbon pe electrozi.

În caz că se utilizează dispozitivul într-un mediu cu o temperatură scăzută, trebuie să se adauge la combustibil un aditiv pentru a împiedica creșterea viscozității acestuia.

## MODUL DE FUNCȚIONARE

Aerul necesar pentru o ardere corespunzătoare este produs de un ventilator care se afla în interiorul arzătorului. Aerul iese prin arzător și se amestecă cu combustibilul care este pulverizat prin intermediul unui injector cu presiune mare. Combustibilul este aspirat din rezervor de o pompa rotativă care îl împinge cu presiune până la injector, care îl pulverizează.

## INSTRUCȚIUNEA DE DESERVIRE

**ATENȚIE: Înainte de a începe exploatarea încălzitorului, inclusiv înainte de conectarea acestuia la rețeaua electrică trebuie să se verifice dacă parametrii rețelei de alimentare cu curent electric sunt conformi parametrilor de pe tablă de identificare a dispozitivului.**

### PORNIREA ÎNCĂLZITORULUI

1. Trebuie respectate toate recomandările referitoare la siguranță.
2. Se umple rezervorul de combustibil cu motorină (Diesel).
3. Închideți capacul rezervorului de combustibil.
4. Conectați cablul de alimentare la o priză electrică cu pământare cu o tensiune conformă cu cea înscrisă pe tablă de identificare a încălzitorului.

### PORNIREA ÎNCĂLZITORULUI FĂRĂ TERMOSTAT



#### • XL 9ER

Amplasați comutatorul (B Fig. 5) în poziția pornit (I). Încălzitorul va începe să funcționeze în mod de ventilare, iar după 10 secunde va trece în modul de încălzire.

#### • XL 9SR

**ATENȚIE: Înainte de a porni încălzitorul, asigurați-vă că butonul (C Fig. 5) este în poziția .**

Comutați întrerupătorul (B Fig. 5) în poziția (I). Va începe perioada de prevențiere și după circa 10 secunde va începe arderea.

Pentru a avea puterea maximă potențială comutați întrerupătorul (C Fig. 5) în poziția   dorită.

### PORNIREA ÎNCĂLZITORULUI CU TERMOSTAT

Setați termostatul sau dispozitivul de comandă (de exemplu o priză cu ceas) dacă acesta este conectat, astfel încât să permită funcționarea încălzitorului.

**ATENȚIE: Încălzitorul poate să funcționeze în mod automat NUMAI când la acesta s-a conectat un dispozitiv de control, ca de exemplu un termostat sau o priză cu ceas. Dispozitivul de comandă trebuie conectat la încălzitor conform SCHEMEI CONEXIUNILOR ELECTRICE.**

Înainte de pornirea încălzitorului sau după golirea completă a conductei de alimentare cu combustibil alimentarea cu combustibil a duzei scade și atunci se va porni dispozitivul de siguranță al flăcării (vezi punctul APARATURA DE PROTECȚIE) iar încălzitorul se va opri. În acest caz trebuie să așteptați aproximativ un minut, iar apoi să apăsați butonul de repornire (D din Fig. 5) și să porniți încălzitorul.

Dacă încălzitorul nu pornește, efectuați următoarele operațiuni:

1. Asigurați-vă că în rezervor (N din Fig. 4) este îndeajuns combustibil.
2. Apăsați butonul de repornire (D din Fig. 5-6).

Dacă în continuare încălzitorul nu pornește consultați capitolul DEFECȚIUNI ȘI CAUZELE PROBABILE ALE ACESTORA pentru a stabili care sunt cauzele acestei situații.

**ATENȚIE: Înainte de reaprindere (generatorul este stins și de-ajuns de rece) trebuie blocat șurubul care blochează deflectorul din față (L din Fig. 4).**

**ATENȚIE: Instalația electrică care alimentează încălzitorul trebuie să fie pământată și să fie dotată cu un decuplator diferențial electromagnetic - termic. Fișa electrică a generatorului trebuie să fie bransată la o priză dotată cu întrerupător de secție.**

### OPRIREA ÎNCĂLZITORULUI

Mutați comutatorul (B din Fig. 5) în poziția oprit (O); de asemenea se poate opri termostatul sau dispozitivul de comandă (priza cu ceas), dacă vreunul dintre aceste dispozitive este conectat la încălzitor. Flacăra se va stinge, dar ventilatorul va funcționa în continuare, până la terminarea ciclului de ventilație ulterioară (de răcire).

**ATENȚIE: Înainte de scoaterea ștecherului din priză, trebuie să așteptați până când ciclul de ventilație ulterioară se va încheia (timpul aproximativ de răcire este de 3 minute).**

## APARATURA DE PROTECȚIE

Încălzitorul este dotat cu aparatură de protecție (L din Fig. 6), care controlează starea flăcării. Dacă în timpul funcționării încălzitorului vor apărea inexactități, aparatura de protecție va opri arzătorul și va face să lumineze butonul de repornire (D din Fig. 5-6).

Generatorul de aer cald are un dispozitiv post-ventilare care face optim și automat răcirea camerei de ardere timp de aproximativ 3 minute. Înainte de repornirea încălzitorului trebuie să identificați și să eliminați cauza opririi arzătorului.

## MUTAREA ȘI TRANSPORTUL

**ATENȚIE: Înainte de ridicarea sau mutarea încălzitorului trebuie să verificați dacă capacele rezervorului de combustibil (F și H din Fig. 3) sunt bine închise.**

### TRANSPORTUL

Generatorul de aer cald poate fi ușor de mutat și fixat într-o poziție mai ridicată datorită mecanismului special conceput (B Fig. 3 sau Fig. 7). Acesta face posibilă poziționarea generatorului de aer cald, în cele mai potrivite poziții pentru a încălzi, dezgheta sau usca.

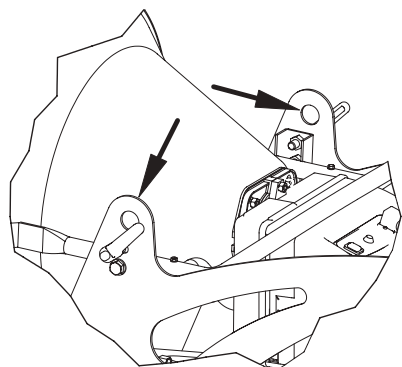


Figura 7 - Mânerele încălzitorului în poziția de așteptare

### MUTAREA

Încălzitorul trebuie să fie dotat cu o roată în spate (G din Fig. 3). Într-o astfel de situație, dacă materialul din care este realizată podeaua permite, încălzitorul poate fi mutat prin împingere, asemenea unui cărucior. Dacă încălzitorul nu este dotat cu o roată în spate, trebuie deblocat elementul de fixare (P din Fig. 4) amplasat pe unul dintre suporturile laterale ale încălzitorului. Mânerele care se află în poziția de așteptare (Fig. 8) trebuie mutate în poziția de transportare (Fig. 9). Ridicați încălzitorul astfel încât aceasta să stea doar pe cele două roți din față și mutați-l în locul stabilit.

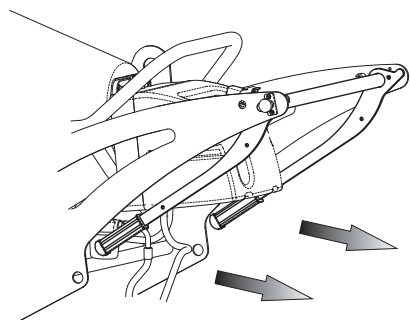


Figura 8 - Mânerele încălzitorului în poziția de așteptare

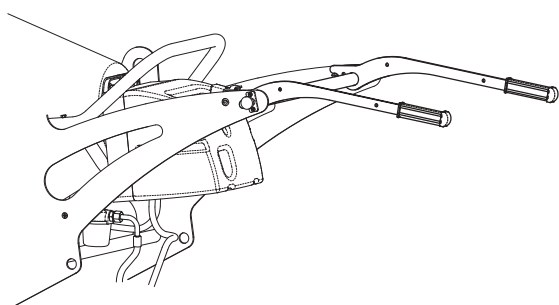


Figura 9 - Mânerele încălzitorului în poziția de transportare

**ATENȚIE:** Înainte de începerea transportării încălzitorului, trebuie să efectuați următoarele operațiuni: Trebuie oprit încălzitorul, conform indicațiilor înscrise în punctul „OPRIREA ÎNCĂLZITORULUI”; trebuie decuplat încălzitorul de la sursa de alimentare prin scoaterea ștecherului din priză de perete, trebuie să se aștepte până când încălzitorul se răcește.

## PROGRAMUL DE CONSERVARE PREVENTIVĂ

**ATENȚIE:** Înainte de începerea oricăror lucrări de conservare, trebuie să efectuați următoarele operațiuni: Trebuie oprit încălzitorul, conform indicațiilor înscrise în punctul „OPRIREA ÎNCĂLZITORULUI”; trebuie decuplat încălzitorul de la sursa de alimentare prin scoaterea ștecherului din priză de perete, trebuie să se aștepte până când încălzitorul se răcește.

Instrucțiunile din acest paragraf referitoare la intervale de service, depind foarte mult de mediul în care lucrează generatorul de aer cald și de cât de curată este motorina cu care este alimentat - intervalele sunt date în condițiile în care mediul este bine ventilat cu puțin praf și în cazul în care este alimentat cu motorina curată.

O dată la 50 de ore de funcționare sunt necesare:

- Demontarea filtrului de serie (C din Figura 1) (vezi capitolul „CURĂȚAREA FILTRULUI DE COMBUSTIBIL”) și acesta trebuie curățat.

O dată la 200 de ore de funcționare sunt necesare:

- Demontarea filtrului pompa și interiorului țevii arzătorului (vezi capitolul „CURĂȚAREA FILTRULUI POMPA”).

O dată la 300 de ore de funcționare sunt necesare:

- Demontarea arzătorului și curățarea interiorului țevii arzătorului, a scutului flăcării și a electrodelor; în caz de necesitate trebuie reglată distanța dintre acestea (vezi capitolul „CURĂȚAREA ARZĂTORULUI”).

### CURĂȚAREA FILTRULUI DE COMBUSTIBIL

- Deșurubați capacul de plastic și scoateți filtrul.
- Curățați bine filtrul cu ajutorul motorinei.
- Introduceți înapoi filtrul și înșurubați capacul în corpul filtrului de alimentare a sistemului de ardere.

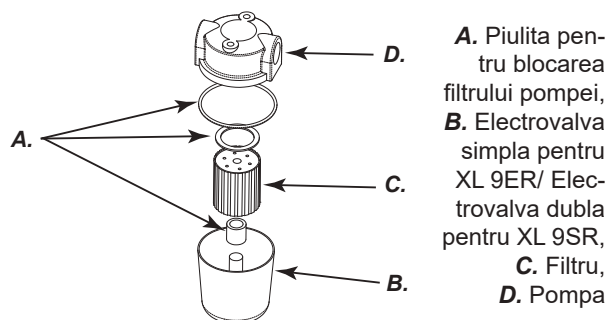


Figura 10 - Filtrul încălzitorului

### CURĂȚAREA FILTRULUI

- Demontați capacul arzătorului (F Fig. 5), pentru a identifica pompa (O Fig. 6).
- Desurubați piulita (A Fig. 11) care blochează elementul filtrant al pompei.
- Scoateți filtrul (C Fig. 11) afara din poziția lui inițială.
- Curățați bine cu motorina.
- Poziționați filtrul în lacasul lui, apoi înșurubați piulita.

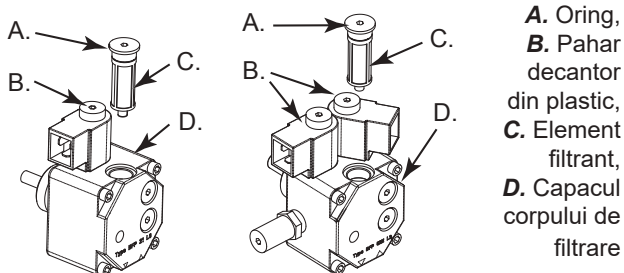


Figura 11 - Pompa

**CURĂȚAREA ARZĂTORULUI**

- Deșurubați șurubul (H din Fig. 5) de fixare a arzătorului (A din Fig. 3) în camera de ardere.
- Scoateți arzătorul din camera de ardere (Fig. 3).
- Deșurubați cele trei bolțuri (B din Fig. 12) de fixare a țevii arzătorului (A din Fig. 12).
- Scoateți țeava.
- Deșurubați șurubul (C din Fig. 12) care montează sistemul scutului cu electrod și scoateți suportul duzei (F din Fig. 14).
- Curățați scutul flăcării (D din Fig. 14) și electrodul (E din Fig. 14).
- Deșurubați duza (G din Fig. 14) din suportul duzei (F din Fig. 14) și curățați, sau în caz de necesitate schimbați duza.
- Înșurubați duza (G din Fig. 14) în suportul duzei.
- Montați înapoi ansamblul - scutul flăcării și electrodul, având o deosebită grijă pentru a păstra distanțele recomandate în (Fig. 14).

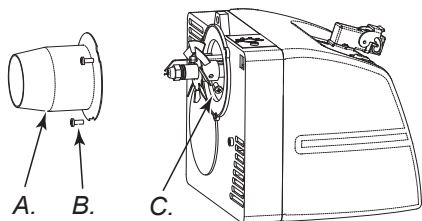


Figura 12 - Demontarea arzătorului

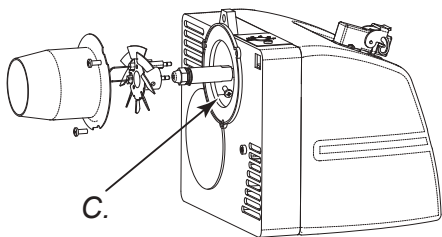


Figura 13 - Ansamblul scutul flăcării - electrodele

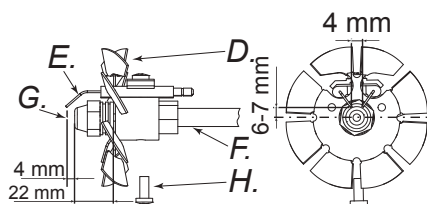
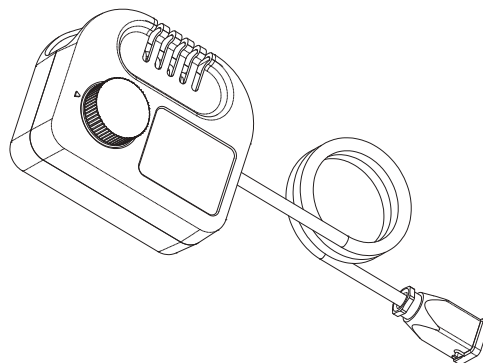


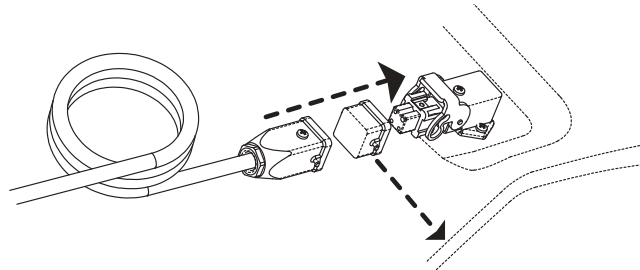
Figura 14 - Distanța electrodelor față de duze

- A. Țeava arzătorului, B. Bolț țeava arzătorului, C. Șurub duză, D. Duză, E. Electrod, F. Țeavă, G. Scutul de focalizare, H. Șurub

**ACCESORII  
TERMOSTAT**

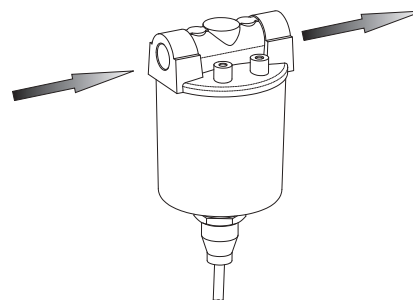


**CONECTAREA DISPOZITIVULUI DE COMANDĂ**

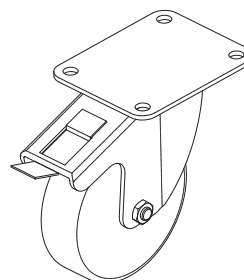


**ATENȚIE:** Înainte de efectuarea oricăror operațiuni de depanare trebuie oprit încălzitorul, conform indicațiilor înscrise în punctul „OPRIREA ÎNCĂLZITORULUI”; trebuie decuplat încălzitorul de la sursa de alimentare prin scoaterea ștecherului din priza de perete și trebuie să se aștepte până când încălzitorul se răcește.

**FILTRUL DE ÎNCĂLZIRE PRIMARĂ A  
COMBUSTIBILULUI**



**ROATĂ CU SISTEM DE BLOCARE**



## EVENTUALE DEFECTE ȘI CAUZELE POSIBILE ALE ACESTORA

**ATENȚIE:** Înainte de efectuarea oricăror operațiuni de depanare trebuie oprit încălzitorul, conform indicațiilor înscrise în punctul „OPRIREA ÎNCĂLZITORULUI”; trebuie decuplat încălzitorul de la sursa de alimentare prin scoaterea ștecherului din priza de perete și trebuie să se aștepte până când încălzitorul se răcește.

PROBLEMA OBSERVATĂ	CAUZA POSIBILĂ	DEPANAREA
Încălzitorul se oprește când flacăra este aprinsă. Butonul de repornire (D din Figura 5-6) este pornit	<ol style="list-style-type: none"> <li>1. Întrerupere în circuitul rezistorului sau murdărirea acestuia cu funingine</li> <li>2. Camera de ardere este murdară</li> <li>3. Sistemul de reglare a flăcării este avariât</li> <li>4. Sunt murdare scutul sau țeava flăcării (din Fig. 12, 13, 14)</li> </ol>	<ol style="list-style-type: none"> <li>1. Curățați sau înlocuiți fotorezistorul</li> <li>2. Demontați deflectorul frontal și curățați interiorul camerei de ardere</li> <li>3. Schimbați sistemul de reglare a flăcării</li> <li>4. Demontați și curățați</li> </ol>
Încălzitorul se oprește difuzând combustibil fără ca flacăra să fie aprinsă. Butonul de repornire (D din Figura 5-6) este pornit	<ol style="list-style-type: none"> <li>1. O avarie a instalației electrice</li> <li>2. Transformatorul de aprindere (M din Fig. 6) este decuplat sau avariât</li> <li>3. Scurt-circuit al bobinajului transformatorului de aprindere cu masa</li> <li>4. Reglarea greșită a distanței dintre electrozi</li> <li>5. Scurt-circuit al electrodelor și masei, cauzat de murdărirea acestora sau de avarierea izolației</li> </ol>	<ol style="list-style-type: none"> <li>1. Verificați întreaga instalație electrică a încălzitorului</li> <li>2. Schimbați</li> <li>3. Schimbați</li> <li>4. Reglați distanța corectă dintre electrozi (din Fig. 14)</li> <li>5. Curățați, sau în caz de necesitate schimbați electrodul</li> </ol>
Din duza încălzitorului nu se difuzează combustibil iar încălzitorul se oprește. Butonul de repornire (D din Figura 5-6) este pornit	<ol style="list-style-type: none"> <li>1. Celula foto-electrica percepe lumina puternică</li> <li>2. Lipsă fază în alimentarea motorului electric</li> <li>3. Lipsă de alimentare a combustibilului în pompă</li> <li>4. Lipsă combustibil în rezervor</li> <li>5. Duza este obturată</li> </ol>	<ol style="list-style-type: none"> <li>1. Pozitionați generatorul de aer cald astfel încât sursa de lumina să nu cada direct pe deflector</li> <li>2. Verificați instalația electrică</li> <li>3. Verificați conductele de combustibil (D din Fig. 3)</li> <li>4. Umpleți rezervorul cu combustibil</li> <li>5. Curățați sau înlocuiți duza</li> </ol>
Arzătorul nu pornește	<ol style="list-style-type: none"> <li>1. Dispozitivul de comandă (termostatul sau priza cu ceas) este pornit</li> <li>2. Scurt-circuit în circuitul rezistorului (T din Fig. 6)</li> <li>3. Căderea tensiunii de alimentare cauzată de decuplarea întrerupătorului (4) sau decuplarea întrerupătorului principal ca urmări a unei căderi de tensiune</li> <li>4. Dispozitivul de comandă (termostatul sau priza cu ceas) este greșit instalat</li> <li>5. Sistemul de reglare a flăcării este avariât</li> <li>6. Siguranța de sub carcasa arzătorului este arsă</li> </ol>	<ol style="list-style-type: none"> <li>1. Măriți setările dispozitivului de comandă</li> <li>2. Schimbați</li> <li>3. Opriți instalația electrică, după care opriți întrerupătoarele sau așteptați să revină tensiunea de alimentare</li> <li>4. Verificați dacă instalația este realizată conform schemelor conexiunilor electrice</li> <li>5. Schimbați (F din Fig. 5)</li> <li>6. Schimbați</li> </ol>
Flacăra nu arde cum ar trebui, se simte un miros neplăcut, se vede un fum negru sau flăcări care ies din deflectorul frontal	<ol style="list-style-type: none"> <li>1. Presiunea de dispersie este prea mică</li> <li>2. Prea puțin aer pentru ardere</li> <li>3. Duza este blocată de murdărie sau din cauza utilizării îndelungate</li> <li>4. Apă în combustibil. Combustibil de proastă calitate</li> <li>5. Se termină combustibilul din rezervor</li> </ol>	<ol style="list-style-type: none"> <li>1. Corecți presiunea de dispersie</li> <li>2. Măriți cantitatea de aer necesar pentru ardere</li> <li>3. Curățați sau înlocuiți duza</li> <li>4. Evacuați combustibil cu ajutorul țevii de evacuare (M din Fig. 4)</li> <li>5. Completați din nou combustibilul din rezervor</li> </ol>

## СЪДЪРЖАНИЕ

1. ПРЕДСТАВЯНЕ НА ПРОДУКТА
1. РАЗОПАКОВАНЕ
2. ИНФОРМАЦИЯ ЗА БЕЗОПАСНОСТ
3. ОПОЗНАВАНЕ НА ПРОДУКТА
4. ГОРИВО
4. ТЕОРИЯ НА ДЕЙСТВИЕТО
4. ИНСТРУКЦИИ ЗА ЕКСПЛОАТАЦИЯ
4. УСТРОЙСТВО ЗА БЕЗОПАСНОСТ
4. ПРЕМЕСТВАНЕ И ТРАНСПОРТИРАНЕ
5. ТАБЛИЦА ЗА ПРЕВАНТИВНА ПОДДРЪЖКА
6. ДОПЪЛНИТЕЛНИ ПРИНАДЛЕЖНОСТИ
7. НЕИЗПРАВНОСТ И ВЕРОЯТНИТЕ ИМ ПРИЧИНИ

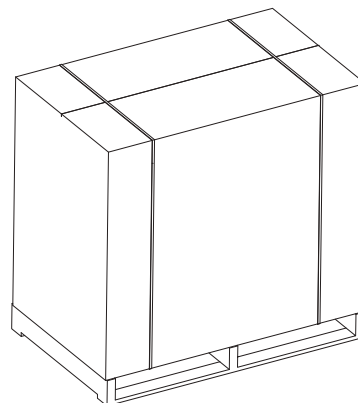
## ПРЕДСТАВЯНЕ НА ПРОДУКТА

XL 9 е топлинен генератор, работещ чрез лъчеизпускане. Лъчевата технология се базира на същия физичен принцип залегнал в излъчването на топлина от слънчевите лъчи. Слънцето затопля телата не чрез поток от топъл въздух, а чрез лъчеви вълни. Лъчевият метод става все по-популярен сред професионалните клиенти поради безбройните предимства, които предлага. XL 9 е проектиран въз основа на този физичен принцип и е станал незаменим за среди, които изискват постоянен, равномерен източник на топлина за отопление, размразяване и сушене. Освен това, изключително ниското ниво на шум, което произвежда, го прави подходящ за работа без необходимостта от заглушаване на шума, който другите видове печки обикновено генерират. Генераторът има гумени колелца за лесно преместване и може също да бъде повдиган и нагласян на различна височина чрез шарнирни болтове. Голямата му независимост и функцията на автоматичния термостат осигуряват на оператора максимална свобода за употреба. Външният индикатор на резервоара за гориво осигурява лесна проверка на необходимостта от добавяне на гориво. SR-моделът има двойно захранващо устройство, което осигурява по-ефективна употреба на машината при различни условия и в различни сезони.

## РАЗОПАКОВАНЕ И ПРЕНАСЯНЕ

### РАЗОПАКОВАНЕ

- Отстранете подставките, използвани за опаковане на уреда (Фиг. 1).
- Отворете горната част на кутията.
- Отстранете картоната от горната част на кутията.
- Отстранете подставките, които придържат генератора върху палета (Фиг. 2).
- Внимателно махнете печката от палета.
- Изхвърлете използваните материали за опаковката на генератора съгласно валидните държавни разпоредби във вашата страна.
- Проверете машината за евентуални повреди по време на транспорт. Ако машината изглежда повредена незабавно уведомете магазина, от където сте я купили.

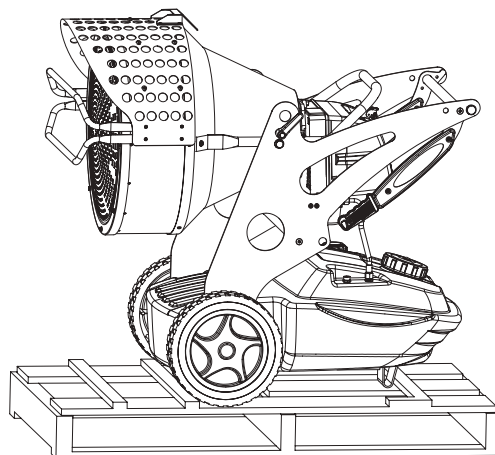


Фигура 1 - Разопаковане

### ПРЕНАСЯНЕ И СЪХРАНЯВАНЕ

Ако генераторът трябва да бъде складиран или е претърпял сериозна повреда по време на транспорт или трябва да бъде ремонтиран:

- Проверете за повреди, и по-точно за такива, които могат да причинят загуба на гориво. Ако намерите такива, източете останалото гориво от резервоара.
- За складиране, поставете генератора върху същия палет, от който е разопакован, а за връщане - върху подходящ евро-палет с марка ЕРА.
- Закрепете генератора за палета стабилно (Фиг. 2).
- Ако е възможно, преместете картоната за опаковане от дъното върху палета и го закрепете стабилно с подходящи материали (Фиг. 1).
- Съхранявайте машината на подходящо, сухо място и не нареждайте една върху друга повече от две машини. Изпращайте генераторите по възможност както е посочено на Фиг. 1 или поне както е посочено на Фиг. 2.



Фигура 2 - Разопаковане



## ПРЕДУПРЕЖДЕНИЕ

### ПРЕДУПРЕЖДЕНИЕ



**ВАЖНО:** Този калорифер е проектиран за мобилни и временни професионални приложения. Той не е предназначен за домашна употреба, нито за осигуряване на топлинен комфорт на човека.

**ВАЖНО:** Преди започване на работа на инфрачервения въздушен отоплител или на каквито и да било действия свързани с поддръжката му, внимателно трябва да се прочете тази инструкция за експлоатация. Неправилната експлоатация на инфрачервения отоплител може да доведе до сериозни наранявания, в резултат на изгаряне, пожар, експлозия, токов удар или отравяне с въглероден окис.

**ОПАСНОСТ:** Задушаването с въглероден окис може да доведе до смърт.

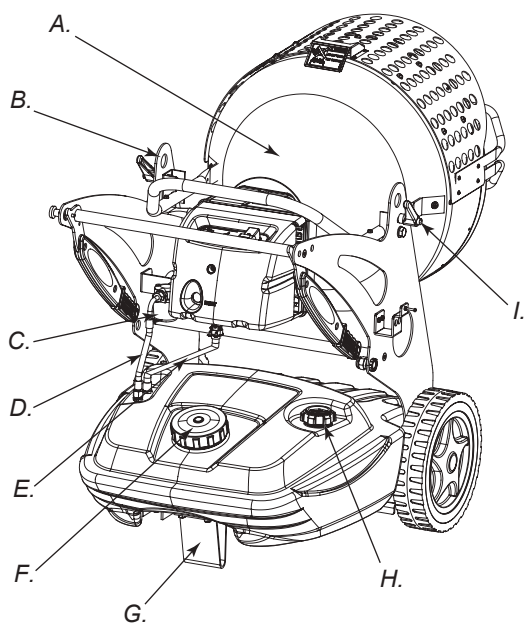
Задушаване с въглероден окис - Първите признаци на задушаване с въглероден окис наподобяват симптоми на грип и се характеризират с главоболие, световъртеж и/или прилошаване. Тези признаци могат да бъдат причинени от неправилното функциониране на инфрачервения отоплител. В случай, че се забележат такъв тип признаци трябва веднага да се излезе на чист въздух. Отоплителят трябва да се ремонтира. Повторно стартиране на отоплителя може да настъпи тепърва след ремонта му. Някои по-силно усещат действието на въглеродния окис, особено бременните жени, сърдечно болните, страдащите от белодробни болести и анемия, а също така алкохолиците, както и тези намиращи се на места високо над морското равнище. Потребителят на отоплителя трябва да прочете и разбере всички предупреждения. Инструкцията трябва да се съхранява на безопасно място с цел бъдещ преглед: потребителят ще открие в нея инструкции относно безопасната и правилна експлоатация на инфрачервения отоплител. За да се намали риска от пожар или експлозия, за зареждане трябва да се използва само нефта или дизелово гориво. Забранява се използването на бензин, нефта, разреждители за бои и лакове, алкохол или други леснозапалими субстанции.

• Зареждане на резервоара:

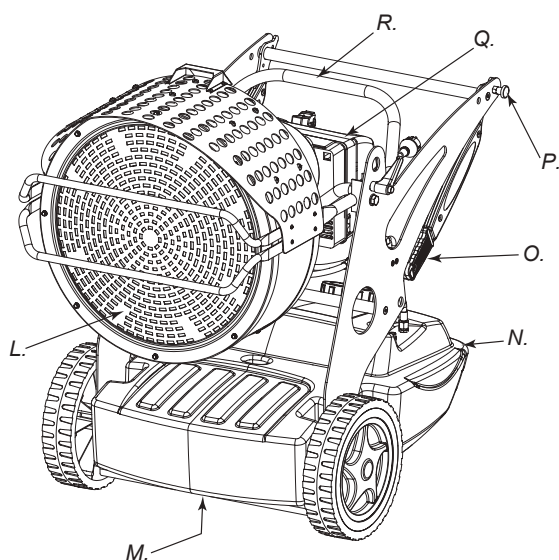
- Персоналът, отговорен за зареждането с гориво трябва да бъде квалифициран и напълно запознат с препоръките на производителя, както и с нормите относно безопасното зареждане на резервоара на отоплителя.
- Да се използва само такъв тип гориво, какъвто е посочен на идентификационната табелка на отоплителя.
- Преди започване на зареждане на резервоара трябва да се изгасят всички пламъци, както и контролният пламък и отоплителят да се остави да се охлади.
- По време на зареждане на резервоара трябва да се провери уплътнението на всички горивни маркучи както и свързките им. Всякакви неуплътнения трябва да бъдат отстранени преди повторно стартиране на отоплителя.
- В никакъв случай, в същата сграда или в близост до отоплителя не трябва да се съхранява по-голямо количество гориво от нужното за еднократна експлоатация. Резервоарите за съхранение на гориво трябва да се намират в друга сграда.
- Всички резервоари за гориво трябва да се намират на безопасно разстояние от поне 762 см от отоплителя, както и от водородо-кислородни горелки, уреди за заваряване и подобни източници на запалване (с изключение на резервоара за гориво, намиращ се в отоплителя).
- Ако е възможно, горивото трябва да се съхранява в помещения, в които настилката не улеснява разпространяването или попиването на гориво при евентуално разливане или теч, тъй като това може стане причина за пожар.
- Всички помещения и резервоари за съхранение на гориво трябва да изпълняват изискванията на актуалните задължаващи норми.

- Забранява се използването на инфрачервения отоплител в помещения, където има бензин, разреждители за бои или други леснозапалими субстанции.
- По време на експлоатация на отоплителя трябва да се спазват всички местни разпоредби и актуални задължаващи норми и закони.
- Ако отоплителят се експлоатира в близост до платове, завеси или други подобни материали за покриване, то трябва да бъде преместен на безопасно разстояние. Минималното безопасно разстояние се определя от съответните актуални разпоредби задължаващи в държавата на експлоатация на отоплителя. Препоръчва се използването на огнеупорни материали за покриване. Материалите трябва да бъдат добре закрепени, за да се избегне евентуалното им запалване или смущаване на работата на отоплителя, в резултат на рязко движение на въздуха или течение.
- Отоплителят трябва да се експлоатира само в добре проветриви помещения. Необходимо е осигуряването на съответен отвор или инсталация служеща за обмен на въздуха, която да изпълнява законовите изисквания в дадена държава и да допуска приток на свеж въздух.
- Отоплителят трябва да се захранва само с ток с напрежение и честота, посочени в идентификационната табелка.
- Да се използват само удължители с три гнезда и със заземяване.
- Минималното безопасно разстояние се определя от съответните актуални разпоредби задължаващи в държавата на експлоатация.
- Отоплителят трябва да се постави на стабилна и вертикална повърхност, когато е топъл или когато работи. Това има за цел предотвратяване на опасността от пожар.
- Когато се премества или ремонтира трябва винаги да бъде във вертикално положение за да се предотврати изтичането на гориво.
- Да не се допускат деца или животни в близост до отоплителя.
- Когато не се експлоатира, отоплителят трябва да бъде изключен от източника на ел. захранване.
- Ако отоплителят се управлява с друг механизъм (като термостат или датчик за време) може да се стартира по всяко време.
- Отоплителят не трябва в никакъв случай да се използва в жилищни помещения.
- Забранено е блокирането на входящия въздух (отзад) или изходящия въздух (отпред) на отоплителя
- Забранява се преместването, зареждането с гориво или ремонт на отоплителя, когато е горещ, когато работи или когато е свързан към източник на ел. захранване.
- Димът, който се появява по време на първото стартиране на отоплителя е причинен от изгарянето на изпаряващите се органични (керамични) материали намиращи се в горивната камера, както и на антикорозионното масло, с което е покрита повърхността на горелката. След няколко минути димът ще спре.
- Диапазонът на работната температура на отоплителя е от -30°C до +40°C.

## ИДЕНТИФИКАЦИЯ НА ПРОДУКТА

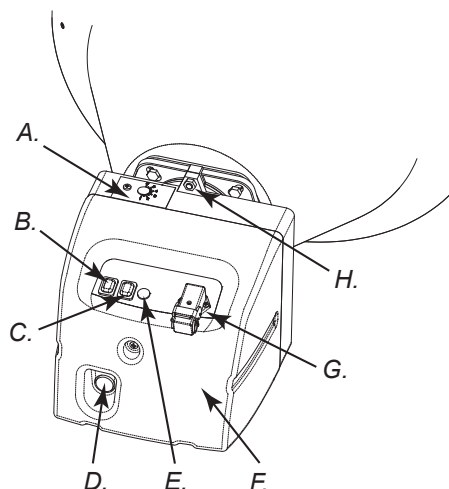


Фигура 3

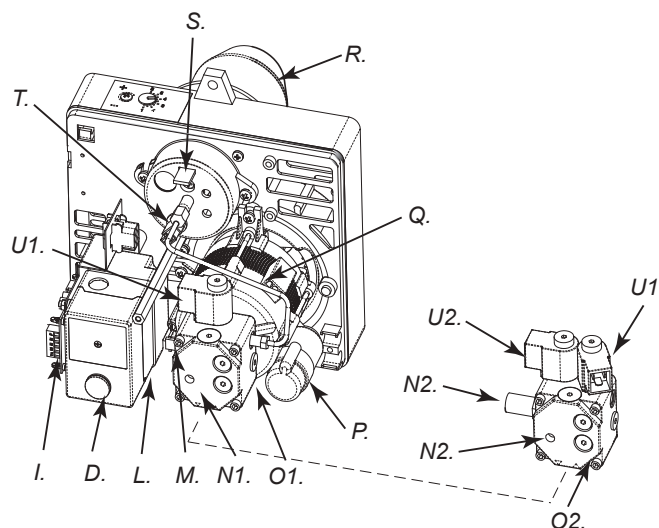


Фигура 4

**A.** Горивна камера, **B.** Транспортна кука, **C.** Горивен филтър или предварително подгръван горивен филтър (ОПЦИЯ), **D.** Маркуч за захранване с гориво, **E.** Маркуч за връщане на гориво, **F.** Капачка на резервоара, **G.** Краче или колелце (ОПЦИЯ), **H.** Показател на нивото на гориво, **I.** Блокировка на горивната камера, **L.** Преден дефлектор, **M.** Тапа за спускане на гориво, **N.** Резервоар за гориво, **O.** Държач за преместване на отоплителя, **P.** Блокировка на пантата, **Q.** Горелка, **R.** Ръкохватка за регулировка на наклона



Фигура 5 - Уреди управляващи работния процес на отоплителя



Фигура 6 - Подвъзли на горелката на отоплителя

**A.** Регулатор на въздушните отвори, **B.** Светещ бутон ON/OFF, **C.** Превключвател за загряване на горивото (ОПЦИЯ) (XL 9SR), **D.** Бутон за рестартиране на системата за контрол на пламъка, **E.** Показател на захранването, **F.** Корпус на горелката, **G.** Гнездо на термостата, **H.** Винт, **I.** Пост вентилационно устройство, **L.** Регулатор на пламъка, **M.** Трансформатор, **N1.** Регулатор на помпата (XL 9ER), **N2.** Регулатор на помпата (XL 9SR), **O1.** Помпа (XL 9ER), **O2.** Помпа (XL 9SR), **P.** Кондензатор, **Q.** Двигател, **R.** Тръба на горелката, **S.** Регулатор на горелката, **T.** Фотоелектрически резистор. **U1.** Електроклапан 1° за (XL 9ER-SR), **U2.** Електроклапан 2° за (XL 9ER)

## ГОРИВО

**ПРЕДУПРЕЖДЕНИЕ:** Отоплителят може да се зарежда **САМО** с нефта или дизелово гориво.

Използването на замърсено гориво може да бъде причина за:

- Блокиране на филтъра и дюзата за гориво.
- Създаване на нагар върху електродите.

При ниски температури на околната среда трябва да се използва нетоксичен антифриз.

## НАЧИН НА ДЕЙСТВИЕ

Необходимата вентилация за чисто изгаряне се извършва от вентилатор вътре в горивната камера. Въздухът излиза през горивния ръкав и се смесва с горивото, което се разпръсква чрез дюза под високо налягане. Горивото се аспирира от резервоара чрез роторна помпа, която го изпраща под високо налягане до дюзата за разпръскване.

## ИНСТРУКЦИЯ ЗА ЕКСПЛОАТАЦИЯ

**ПРЕДУПРЕЖДЕНИЕ:** Преди започване на работа на отоплителя, следователно преди включването му към ел. мрежа трябва да се провери, дали параметрите на захранването отговарят на параметрите посочени на идентификационната табелка на отоплителя.

### СТАРТИРАНЕ НА ОТОПЛИТЕЛЯ


1. Всички мерки за безопасност описани в инструкцията трябва да се спазват.
2. Да се напълни резервоара за гориво с дизелово гориво или нефта.
3. Да се затвори капачката на резервоара за гориво.
4. Ел. кабел да се включи в заземено ел. гнездо с напрежение съответстващо на напрежението посочено на идентификационната табелка на отоплителя.

### СТАРТИРАНЕ БЕЗ ТЕРМОСТАТ


#### • XL 9ER

Поставете ключа (В Фиг. 5) в позиция ON /ВКЛЮЧЕНО/ (I). Това стартира предварителната вентилация и след около 10 секунди горенето започва.

#### • XL 9SR

**ПРЕДУПРЕЖДЕНИЕ:** Преди да стартирате генератора се уверете, че бутона (С Фиг. 5) е в позиция 1 .

Поставете ключа (В Фиг. 5) в позиция ON /ВКЛЮЧЕНО/ (I). Това стартира предварителната вентилация и след около 10 секунди горенето започва.

За максимална потенциална работа поставете ключа (С Фиг. 5) в  позиция 2.

### СТАРТИРАНЕ НА ОТОПЛИТЕЛ С ТЕРМОСТАТ

Настройте термостата или управляващия механизъм (напр. датчик за време), ако е включен, така, че да включи отоплителя.

**ПРЕДУПРЕЖДЕНИЕ:** Отоплителят може да работи на автоматичен режим **САМО** с включен управляващ механизъм, напр. термостат или датчик за време. Управляващият механизъм трябва да се включи към отоплителя съгласно **ЕЛЕКТРИЧЕСКАТА СХЕМА**.

Преди стартиране на отоплителя или след цялостно изправяне на горивната верига, притока на гориво към дюзата е прекалено малък и води до стартиране на защитното оборудване, контролиращо пламъка (виж раздел **ЗАЩИТНО ОБОРУДВАНЕ**), в резултат на което настъпва изключване на отоплителя. В такъв случай, трябва да изчакате около една минута и да натиснете бутона за рестартиране на системата за контрол на пламъка (D на Фиг. 5-6) и да стартирате отоплителя.

Ако отоплителят не се стартира, то трябва:

1. Да се уверите дали в резервоара (N на Фиг. 4) има гориво.
2. Да натиснете бутона за рестартиране на системата за контрол на пламъка (D на Фиг. 5-6).

Ако след тези действия отоплителят не се включи, трябва да потърсите обяснение в раздел **ОТСТРАНЯВАНЕ НА НЕИЗПРАВНОСТИ** и да откриете причината.

**ВНИМАНИЕ:** Преди второто запалване (машината изгасена и съответно студена) да се осигури блокировка на винтове, които застопоряват предния дефлектор (L на Фиг. 4).

**Предупреждение:** Електрическата инсталация на отоплителя трябва да бъде заземена и да е снабдена с магнитно-термичен превключвател. Електрическият щепсел трябва да бъде включен в ел. гнездо снабдено със секционен превключвател.

### ИЗКЛЮЧВАНЕ НА ОТОПЛИТЕЛЯ

За да изключите отоплителя трябва да преместите превключвателя (Фиг. 5) в позиция изключване (0) или да изключите термостата или управляващия механизъм (датчика за време), ако те регулират отоплителя. Пламъкът ще изгасне, а вентилаторът ще се върти до пълното охлаждане на горивната камера.

**ПРЕДУПРЕЖДЕНИЕ:** Преди изваждането на щепсела на ел. кабел от ел. гнездо трябва да се изчака докато цикъла на вентилация напълно завърши (охлаждането продължава около 3 минути).

### ЗАЩИТНО ОБОРУДВАНЕ

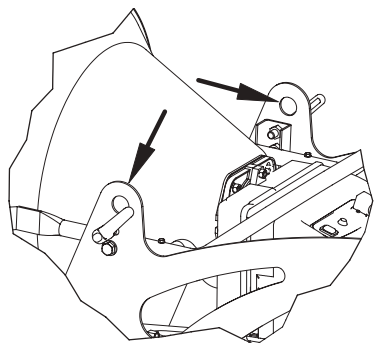
Отоплителят е снабден с защитен механизъм (L на Фиг. 6) контролиращо пламъка. Ако настъпят една или повече аномалии във функционирането на уреда, то защитното оборудване изключва горелката и светва бутона за рестартиране на системата за контрол на пламъка (D на Фиг. 5-6). Генераторът също има изходна вентилационна система, която осигурява автоматично охлаждане на горивната камера за ок. 3 минути. Преди повторно стартиране на отоплителя трябва да откриете и елиминирате причината, която е довела до изключване на горелката.

## ПРЕМЕСТВАНЕ И ТРАНСПОРТ

**ПРЕДУПРЕЖДЕНИЕ:** Преди преместване или повдигане на отоплителя трябва да проверите дали тапите на резервоара е добре завити (F и H на Фиг. 3).

**ТРАНСПОРТ**

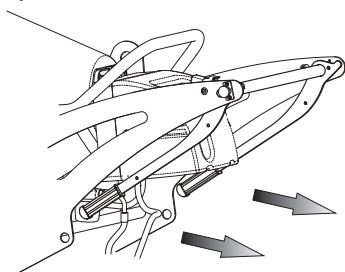
Генераторът е лесен да се помества и може да се постави в изправено положение благодарение на своят специален лостов механизъм (В Фиг. 3 или Фиг. 7). Това го прави лесен да се приспособи в най-удобно положение за нагревателна, размразяваща или сушилната функция.



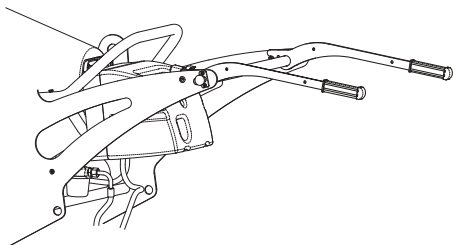
Фигура 7

**ПРЕМЕСТВАНЕ**

Отоплителят може да бъде снабден с въртящи се задни колелца (G на Фиг. 3). В такъв случай - ако видът настилка позволява - отоплителят може да се премества чрез бутане, като количка. Ако отоплителят не е снабден с въртящи се задни колелца, то трябва да разблокирате пантата (P на Фиг. 4), намираща се на един от страничните подпори на отоплителя. Да се преместят държачите от работно положение (Фиг. 8) в транспортно положение (Фиг. 9). Отоплителят да се повдигне така, че да стои на двете си колелца и да се премести на желаното място.



Фигура 8 - Държачи в работно положение, отоплител



Фигура 9 - Държачи в транспортно положение, отоплител

**ПРЕДУПРЕЖДЕНИЕ:** Преди преместване на машината трябва: да изключите отоплителя следвайки инструкциите описани в раздел „ИЗКЛЮЧВАНЕ НА ОТОПЛИТЕЛЯ“; да изключите ел. захранване изваждайки щепсела от ел. гнездо и да изчакате докато се охлади.

**ПРОГРАМА ЗА ПЕРИОДИЧНА ПОДДРЪЖКА**

**ПРЕДУПРЕЖДЕНИЕ:** Преди започване на каквито и да било дейности свързани с поддръжката трябва: да изключите отоплителя следвайки инструкциите описани в раздел „ИЗКЛЮЧВАНЕ НА ОТОПЛИТЕЛЯ“; да изключите ел. захранване изваждайки щепсела от ел. гнездо и да изчакате докато се охлади.

Инструкциите по този параграф относно времето, по което трябва да се извърши сервизиране зависят много от чистотата на горивото, което се използва и типа обкръжаваща среда, в която работи апарата - зададените времена се отнасят за добре вентилирана среда, слабозапрашена и при използване на чисто гориво.

Веднъж на 50 часа работа на отоплителя трябва:

- Да се свали филтриращият елемент (виж раздел „ПОЧИСТВАНЕ НА ГОРИВНИЯ ФИЛТЪР“) и да се почисти.

Веднъж на 200 часа работа на отоплителя трябва:

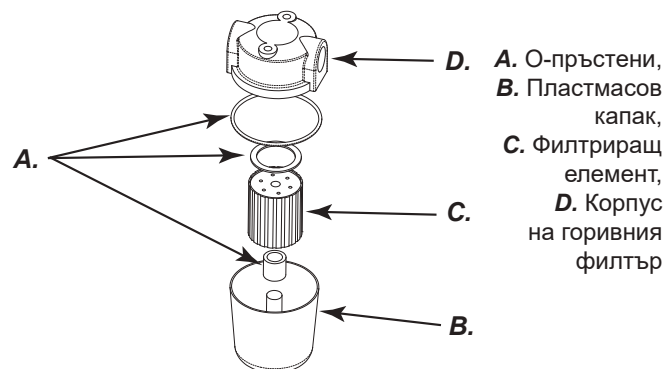
- Да се свали филтъра на помпата (виж раздел „ПОЧИСТВАНЕ НА ФИЛТЪРА НА ПОМПАТА“) и да се почисти.

Веднъж на 300 часа работа на отоплителя трябва:

- Да се демонтира горелката и да се почисти вътрешността на тръбата на горелката, възпламенителният диск и електродите и при необходимост да се регулира разстоянието между тях (виж раздел „ПОЧИСТВАНЕ НА ГОРЕЛКАТА“).

**ОЧИСТВАНЕ НА ГОРИВНИЯ ФИЛТЪР**

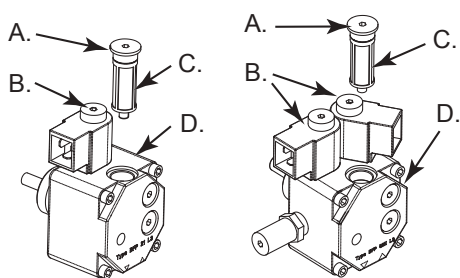
- Развийте пластмасовия капак и извадете филтриращия елемент (картридж).
- Изчистете го добре с керосин.
- Поставете филтриращия елемент обратно и завийте капака към корпуса на горивния филтър.



Фигура 10 - Филтър

**ПОЧИСТВАНЕ НА ФИЛТЪРА НА ПОМПАТА**

- Разглобяваме сандъка на горелката (F Фиг. 5), за да се идентифицира помпата на горелката (O Фиг. 6).
- Отвинтваме гайката (A Фиг. 11) закрепваща филтърен елемент спрямо помпата.
- Изваждаме филтърен елемент (C Фиг. 11) от мястото му.
- Почистваме го с бензин.
- Поставяме филтърен елемент обратно на мястото му и завиваме закрепваща гайка към помпата.

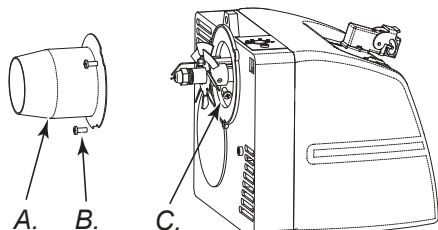


Фигура 11 - Филтър на отоплителя

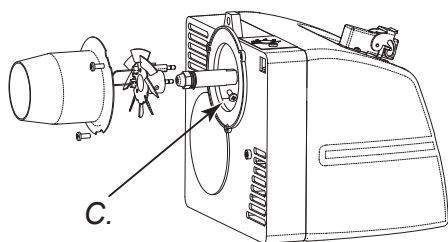
**A.** Гайка за блокиране на филтърната помпа,  
**B.** Единичен електроклапан за XL 9ER и двоен за XL 9SR,  
**C.** Филтър,  
**D.** Помпа

### ПОЧИСТВАНЕ НА ГОРЕЛКАТА

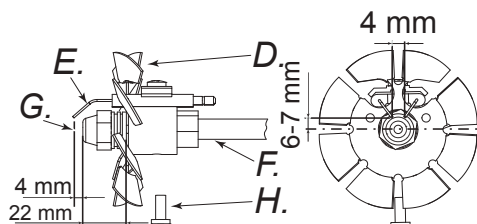
- Развийте болта (F на Фиг. 5) закрепящ горелката (O на Фиг. 6) в горивната камера.
- Извадете горелката от горивната камера (Фиг. 3).
- Развийте трите винта (B на Фиг. 11) закрепящи тръбата на горелката (C на Фиг. 11).
- Свалете тръбата.
- Развийте болта (C на Фиг. 13) закрепящ диска към електродите и извадете държача на дюзата (F на Фиг. 14).
- Почистете възпламенителния диск (D на Фиг. 14) и електродите (E на Фиг. 14).
- Развийте дюзата (G на Фиг. 14) от държача на дюзата (F на Фиг. 14), почистете я или при необходимост я подменете.
- Завинтете дюзата (G на Фиг. 14) в държача на дюзата.
- Монтирайте обратно възела възпламенителен диск - електроди, запазвайки съответните разстояния както е посочено на Фиг. 14.



Фигура 12 - Демонтаж на горелката



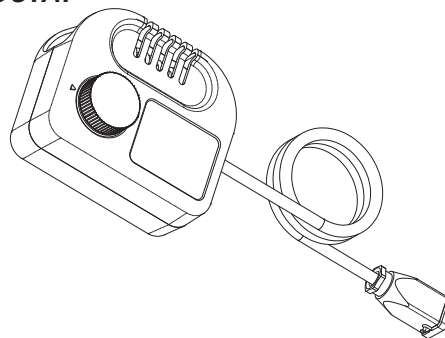
Фигура 13 - Възпламенителен диск - електроди



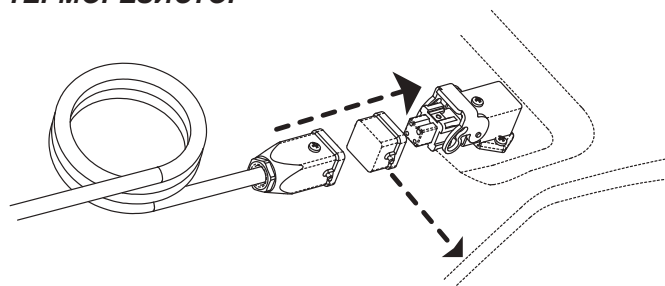
Фигура 14 - Разстояние на електродите от дюзата

**A.** Тръба на горелката, **B.** Винт тръба на горелката, **C.** Дюза тръба, **D.** Тръба, **E.** Електроди, **F.** Възпламенителен диск, **G.** Болт, **H.** Дюза

### АКСЕСОАРИ ТЕРМОСТАТ

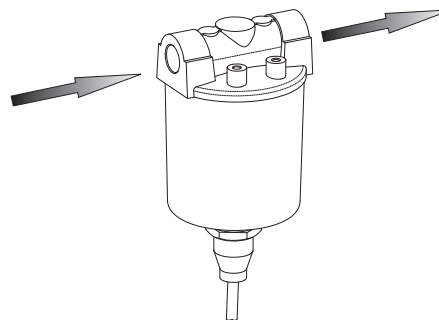


### ТЕРМОРЕЗИСТОР

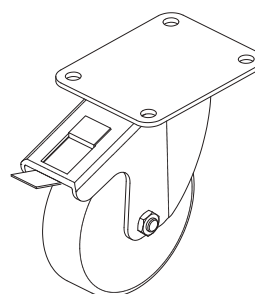


**ПРЕДУПРЕЖДЕНИЕ:** Преди започване на каквито и да било дейности свързани с поддръжката трябва да изключите отоплителя следвайки инструкциите описани в раздел „ИЗКЛЮЧВАНЕ НА ОТОПЛИТЕЛЯ“; да изключите ел. захранване изваждайки щепсела от ел. гнездо и да изчакате докато се охлади.

### ВЪРТЯЩО СЕ КОЛЕЛЦЕ СЪС СПИРАЧКИ



### СИСТЕМА ПРЕДПАЗВАЩА ОТ НАКЛАНЯНЕ



## ОТСТРАНЯВАНЕ НА НЕИЗПРАВНОСТИ

**ПРЕДУПРЕЖДЕНИЕ:** Преди започване на каквито и да било дейности свързани с поддръжката трябва да изключите отоплителя следвайки инструкциите описани в раздел „ИЗКЛЮЧВАНЕ НА ОТОПЛИТЕЛЯ“; да изключите ел. захранване изваждайки щепсела от ел. гнездо и да изчакате докато се охлади.

ВЪЗНИКНАЛ ПРОБЛЕМ	ВЪЗМОЖНА ПРИЧИНА	РЕШЕНИЕ
Отоплителят се изключва при запален пламък Бутонът за рестартиране на системата за контрол на пламъка (D на Фиг. 5-6) е включен	<ol style="list-style-type: none"> <li>1. Прекъсване във веригата на фотосъпротивлението или замърсяване на фотосъпротивлението със сажди</li> <li>2. Замърсена горивната камера</li> <li>3. Повредена система на възпламеняване</li> <li>4. Замърсен възпламенителен диск или тръба (на Фиг. 12, 13, 14)</li> </ol>	<ol style="list-style-type: none"> <li>1. Почистете или подменете фотосъпротивлението</li> <li>2. Демонтирайте предния дефлектор и почистете вътрешността на горивната камера</li> <li>3. Подменете системата на възпламеняване</li> <li>4. Демонтирайте и почистете</li> </ol>
Отоплителят се изключва изхвърляйки гориво без да се възпламени пламъка. Бутонът за рестартиране на системата за контрол на пламъка (D на Фиг. 5-6) е включен	<ol style="list-style-type: none"> <li>1. Повреда в ел. инсталация</li> <li>2. Изключени или повреден възпламенителен трансформатор (M на Фиг. 6)</li> <li>3. Късо съединение на намотката на трансформатора</li> <li>4. Неправилна регулировка на разстоянието между електродите</li> <li>5. Късо съединение на електродите, предизвикано от замърсяване или повреда в изолацията</li> </ol>	<ol style="list-style-type: none"> <li>1. Проверете цялата ел. инсталация на отоплителя</li> <li>2. Подменете</li> <li>3. Подменете</li> <li>4. Регулирайте разстоянието между електродите (на Фиг. 14)</li> <li>5. Почистете или при необходимост подменете електродите</li> </ol>
От дюзата на отоплителя не се изпръсква гориво и отоплителят се изключва. Бутонът за рестартиране на системата за контрол на пламъка (D на Фиг. 5-6) е включен	<ol style="list-style-type: none"> <li>1. Фотоклетката вижда силен източник на светлина</li> <li>2. Липса на фаза в захранването на двигателя</li> <li>3. Липса на приток на гориво към помпата</li> <li>4. Липса на гориво в резервоара</li> <li>5. Запушена дюза</li> </ol>	<ol style="list-style-type: none"> <li>1. Поставете генератора така, че източник на светлината не е точно срещу предния дефлектор</li> <li>2. Проверете ел. инсталация</li> <li>3. Проверете горивните маркучи (D на Фиг. 3)</li> <li>4. Заредете резервоара с гориво</li> <li>5. Почистете или подменете дюзата</li> </ol>
Горелката не се стартира	<ol style="list-style-type: none"> <li>1. Управляващият механизъм (термостата или датчика за време) е включен</li> <li>2. Късо съединение във веригата на фотосъпротивлението (T на Фиг. 6)</li> <li>3. Изключване на захранването, причинено от изключване на превключвателя или изключване на главния прекъсвач</li> <li>4. Неправилна инсталация на управляващия механизъм (термостата или датчика за време)</li> <li>5. Повреда в системата на възпламеняване</li> <li>6. Изгорял предпазител намиращ се под капака на горелката</li> </ol>	<ol style="list-style-type: none"> <li>1. Увеличете стойността на управляващия механизъм</li> <li>2. Подменете</li> <li>3. Изключете ел. инсталация, след което изключете превключвателите или изчакайте докато се включи ел. захранване</li> <li>4. Проверете дали свързките са направени съгласно електрическата схема</li> <li>5. Подменете (F на Фиг. 5)</li> <li>6. Подменете</li> </ol>
Пламъкът не гори правилно, усеща се неприятна миризма, вижда се черен дим или пламъци излизаци от предния дефлектор	<ol style="list-style-type: none"> <li>1. Ниско налягане на разпръскване</li> <li>2. Прекалено малък дебит на въздух нужен за изгаряне</li> <li>3. Запушване на дюзата причинено от замърсяване или прекалено дълга експлоатация</li> <li>4. Вода в горивото. Ниско качество на горивото</li> <li>5. В резервоара свършва горивото</li> </ol>	<ol style="list-style-type: none"> <li>1. Върнете правилната стойност на налягането</li> <li>2. Увеличете дебита на въздух нужен за изгаряне</li> <li>3. Почистете или подменете дюзата</li> <li>4. Изхвърлете горивото с помощта на маркуч (M на Фиг. 4)</li> <li>5. Заредете повторно резервоара</li> </ol>

## СОДЕРЖАНИЕ

1. ОПИСАНИЕ ПРОДУКТА
1. РАСПАКОВКА И ХРАНЕНИЕ
2. ИНФОРМАЦИЯ НА ТЕМУ БЕЗОПАСНОГО ОБСЛУЖИВАНИЯ
3. ИДЕНТИФИКАЦИЯ ПРОДУКТА
4. ТОПЛИВО
4. ПРИНЦИП РАБОТЫ
4. РУКОВОДСТВО ПО ЭКСПЛУАТАЦИИ
4. ПРЕДОХРАНИТЕЛЬНЫЕ УСТРОЙСТВА
4. ПЕРЕМЕЩЕНИЕ И ТРАНСПОРТИРОВКА
5. ГРАФИК ТЕХОБСЛУЖИВАНИЯ
6. ACCESSORI
7. НЕИСПРАВНОСТИ И ИХ ВОЗМОЖНЫЕ ПРИЧИНЫ

## ОПИСАНИЕ ПРОДУКТА

XL 9 является генератором тепла, вырабатываемого путем излучения. Технология инфракрасного излучения основана на том же физическом принципе, что тепло солнечной энергии. Солнце подогревает тела исключительно с помощью волн излучения, и не использует потоки тепла. Благодаря бесчисленным преимуществам метод инфракрасного излучения очень популярен среди профессиональных пользователей. Нагреватель XL 9 был спроектирован на базе этих физических принципов и стал незаменимым прибором в условиях, которые требуют постоянных источников тепла с целью обогрева, размораживания или сушения. Дополнительно, благодаря очень низкому уровню шума его можно применять во время каждого вида работ. Благодаря резиновым колесикам генератор можно легко перемещать, а благодаря регулировочным болтам прибор можно поднять и установить на необходимой высоте. Его независимость и функция автоматического термостата дает оператору возможность использовать нагреватель в многочисленных областях применения. Внешний указатель резервуара топлива дает возможность быстрой проверки количества жидкости или необходимости его наполнения. Модель SR имеет прибор двойной мощности и обеспечивает эффективное использование прибора в разных условиях и в разное время года.

## РАСПАКОВКА И ХРАНЕНИЕ

### РАСПАКОВКА

- Удалить подставки, использованные для упаковки прибора (Рис. 1).
- Открыть верхнюю часть упаковки.
- Изъять находящийся наверху картон.
- Удалить крепления, фиксирующие нагреватель к поддону (Рис. 2).
- Осторожно снять нагреватель с поддона.
- Материалы, использованные для упаковки нагревателя, следует утилизировать согласно действующим в данном регионе предписаниям.
- Проверить прибор на предмет повреждений, которые могли иметь место во время транспортировки. В случае обнаружения такого вида повреждений следует немедленно сообщить об этом торговому представителю, у которого был куплен прибор.

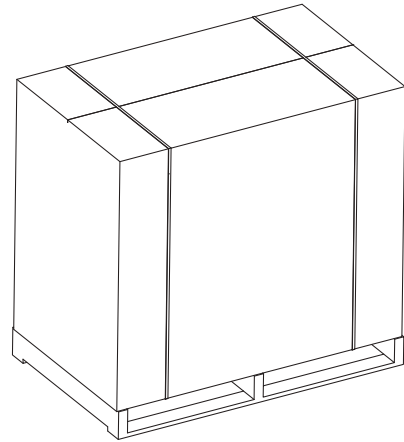


Рисунок 1 - Упаковка нагревателя

### ХРАНЕНИЕ И ТРАНСПОРТИРОВКА

В случае, если генератор требует хранения или складирования, если во время транспортировки имело место его повреждение, или если он требует других ремонтных работ, следует:

- Проверить вид повреждения, в частности проверить не имеет ли место утечка топлива. В таком случае, опорожнить резервуар, удалить оставшуюся в нем жидкость.
- Во время складирования установить нагреватель на том самом поддоне, на котором он был распакован, а в случае его возврата на соответствующем евро поддоне фирмы ERA.
- Тщательно прикрепить нагреватель к поддону (Рис. 2).
- Если есть возможность, вставить картон от упаковки сверху вниз до дна поддона, фиксируя его соответствующими материалами (Рис. 1).
- Хранить прибор в соответствующем, сухом месте, не устанавливая вертикально больше, чем 2 упаковки. Высылать нагреватель так, как показано на Рис. 1 или, руководствуясь Рис. 2.

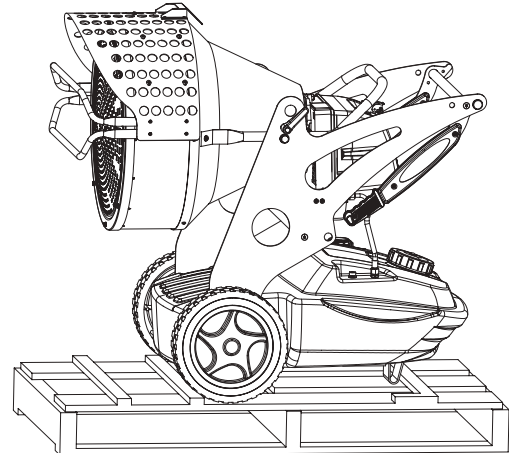


Рисунок 2 - Нагреватель на поддоне

## ИНФОРМАЦИЯ НА ТЕМУ БЕЗОПАСНОГО ОБСЛУЖИВАНИЯ

### ВНИМАНИЕ



**ВАЖНО:** Этот воздухонагреватель разработан для мобильного и временного профессионального использования. Он не предназначен ни для домашнего применения, ни для создания теплового комфорта человека.

**ВАЖНО:** Перед началом эксплуатации инфракрасного нагревателя или выполнения действий, связанных с его техобслуживанием, следует внимательно ознакомиться с данной инструкцией по обслуживанию. Неправильная эксплуатация нагревателя может стать причиной серьезных телесных повреждений или смертельных исходов, вызванных ожогами, пожаром, взрывами, поражением электрическим током или отравлением углекислым газом.

**ОПАСНОСТЬ:** Отравление углекислым газом может стать причиной смертельных исходов.

**Отравление углекислым газом** - Первые симптомы отравления углекислым газом похожи на симптомы гриппа и характеризуются головной болью, головокружением и/или тошнотой. Эти симптомы могут быть вызваны неправильным действием инфракрасного нагревателя. **В случае обнаружения такого вида симптомов следует немедленно выйти из помещения на свежий воздух.** Нагреватель следует отдать в ремонт. Повторное включение нагревателя возможно только в случае полной исправности прибора. В некоторых случаях окись углерода имеет более вредное действие; это особенно касается беременных женщин, лиц с заболеваниями сердца или легких, а также лиц с анемией, а также лиц, находящихся под воздействием алкоголя или лиц, работающих на высоте. Пользователь нагревателя должен прочитать и соблюдать все предостережения. Данную инструкцию следует хранить в безопасном месте с целью использования в будущем: пользователь найдет в ней рекомендации на тему безопасного и правильного обслуживания инфракрасного нагревателя. Для того, чтобы сократить опасность возникновения пожара или взрыва, для наполнения нагревателя топливом следует использовать отопительное масло или дизельное топливо. Ни в коем случае нельзя применять бензин, тяжелый бензин, растворители или краски, спирт или какие-либо другие легковоспламеняющиеся вещества.

• Наполнение резервуара:

- Персонал, занимающийся наполнением резервуара должен иметь соответствующие квалификации, а также должен хорошо знать фабричные инструкции и действующие предписания касательно безопасной эксплуатации нагревателей воздуха.
- Использовать исключительно топливо, указанное на идентификационной табличке нагревателя.
- Перед началом наполнения резервуара следует погасить все очаги пламени, в том числе контрольный огонек, и отставить нагреватель с целью охлаждения.
- Во время наполнения резервуара следует контролировать все топливные шланги и соединения на предмет герметичности. Все неплотности должны быть удалены перед повторным включением нагревателя.
- Ни в коем случае нельзя хранить в одном помещении с нагревателем или в непосредственной его близости топливо в объеме, превышающем количество необходимое для однодневной работы нагревателя. Резервуары для хранения топлива должны находиться в отдельном помещении.
- Все резервуары топлива должны быть установлены на расстоянии как минимум 1 м от нагревателя, а также от горелок для газовой

сварки, сварочного оборудования и подобных источников воспламенения (это не относится к резервуарам топлива, встроенным в нагревателях).

- Топливо следует хранить в помещениях, в которых напольное покрытие исключает впитывание топлива в случае его утечки из топливного шланга, так как это может привести к возникновению пожара.
  - Все помещения, а также резервуары для хранения топлива должны соответствовать актуальным действующим юридическим предписаниям.
- Ни в коем случае нельзя использовать инфракрасный нагреватель в помещениях, в которых находится бензин, растворитель для красок или другие легковоспламеняющиеся субстанции.
  - Во время эксплуатации нагревателя следует соблюдать все локальные предписания и актуально действующие законоположения.
  - Нагреватели, используемые вблизи тканей, занавесок и подобных материалов большой площади, должны быть установлены на безопасном расстоянии от таких материалов. Минимальные безопасные расстояния определены в соответствующих предписаниях, действующих в стране эксплуатации нагревателя. Более того, в качестве штор рекомендуется использовать огнестойкие материалы. Такого вида материалы должны быть тщательно прикреплены, чтобы исключить возможность их воспламенения в результате соприкосновения с нагревателем под воздействием сквозняка или ветра.
  - Нагреватели следует использовать исключительно в хорошо вентилируемых помещениях. Необходимо обеспечить соответствующее отверстие или установку для обеспечения обмена воздуха, которая будет соответствовать действующим в данном регионе требованиям предписаний с целью обеспечения подачи свежего воздуха.
  - Нагреватель следует подключить к сети питания напряжения и частоты с параметрами, которые будут соответствовать параметрам, указанным на фабричном номинальном щитке прибора.
  - Использовать исключительно 3-жильные удлинители, правильно подключенные к заземленной вилке.
  - За минимальное безопасное расстояние следует принять расстояние, указанное в локальных предписаниях.
  - Нагреватель следует установить в таком месте, чтобы после разогрева или во время работы прибора поверхность, на которой установлен нагреватель была стабильной и горизонтальной. Это важный фактор во избежание опасности возникновения пожара.
  - Во время перемещения или складирования следует помнить о сохранении нагревателя в горизонтальном положении во избежание утечки топлива.
  - Не допускать, чтобы к нагревателю приближались дети или животные.
  - Неиспользуемый нагреватель следует отключить от сети электропитания.
  - Следует помнить о том, что нагреватель управляется при помощи другого механизма или устройства (например, термостата или регулятор времени) и может выключиться в любой момент.
  - Нагреватель ни в коем случае нельзя устанавливать в жилых помещениях.
  - Нельзя прикрывать или блокировать отверстия для входа и выхода воздуха.
  - Ни в коем случае нельзя манипулировать в пределах разогретого, подключенного к сети электропитания и работающего нагревателя, не перемещать его, не наполнять его топливом, и не выполнять каких-либо других работ по техобслуживанию.
  - Дым, появляющийся во время первого включения нагревателя, вызван сгоранием испаряющихся органических материалов (керамических), присутствующих в камере сжигания, а также антикоррозийного масла, которым покрыта поверхность горелки. По истечении нескольких минут дым исчезнет.
  - Диапазон рабочих температур окружающей среды нагревателя составляет от -30°C до +40°C.



## ИДЕНТИФИКАЦИЯ ПРОДУКТА

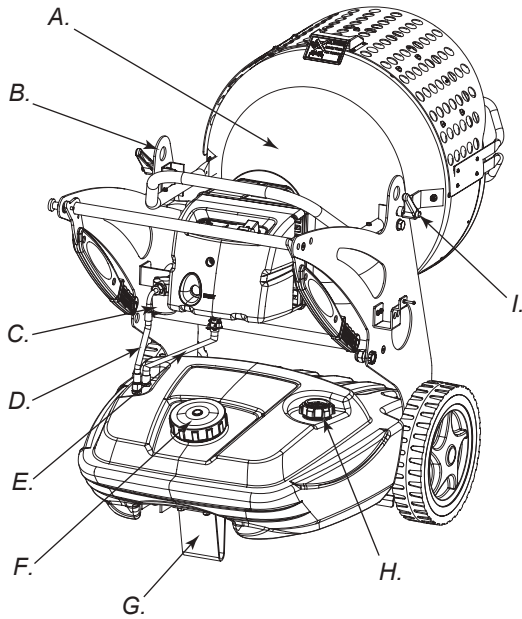


Рисунок 3

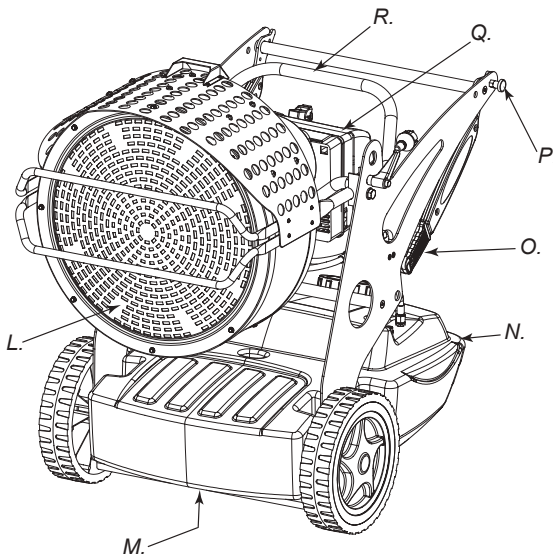


Рисунок 4

**A.** Камера сжигания, **B.** Транспортный прицепной механизм, **C.** Фильтр топлива или предварительно подогреваемый фильтр топлива (опция), **D.** Шланг подачи топлива, **E.** Шланг возврата топлива, **F.** Завинчивающийся колпачок впускного отверстия топлива, **G.** Ножка или колесико (опция), **H.** Указатель уровня топлива, **I.** Блокада поддула камеры сжигания, **L.** Передний дефлектор, **M.** Краник спуска топлива, **N.** Топливный резервуар, **O.** Держатель для перемещения нагревателя, **P.** Блокада петли, **Q.** Горелка, **R.** Регулятор угла наклона

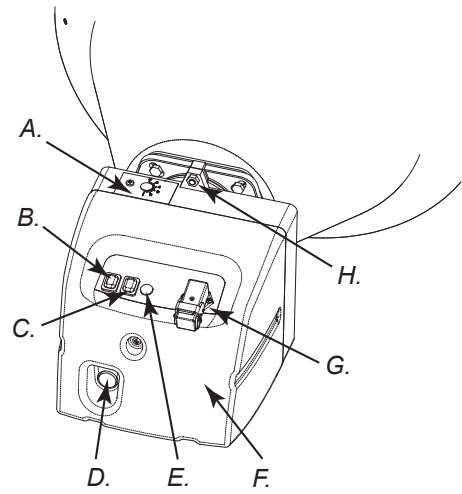


Рисунок 5 - Устройства, контролирующие работу нагревателя

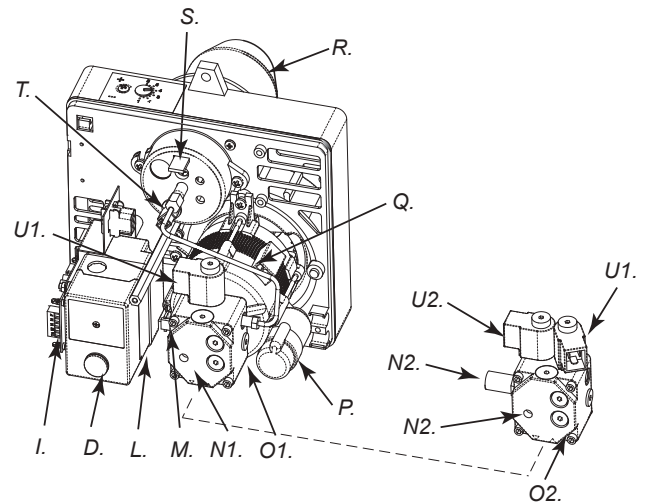


Рисунок 6 - Подуэлы горелки нагревателя

**A.** Регулятор воздушных отверстий, **B.** Кнопка вкл./Выкл. С подсветкой, **C.** Включатель подогрева топлива (опция) (XL 9SR), **D.** Кнопка повторного включения, **E.** Указатель питания, **F.** Корпус горелки, **G.** Штепсель термостата, **H.** Винт, **I.** Последующая вентиляция, **L.** Регулятор пламени, **M.** Трансформатор, **N1.** Регулятор насоса (XL 9ER), **N2.** Регулятор насоса (XL 9SR), **O1.** Насос (XL 9ER), **O2.** Насос (XL 9SR), **P.** Конденсатор, **Q.** Двигатель, **R.** Трубка горелки, **S.** Регулятор головки сжигания, **T.** Резистор фотозлектрический, **U1.** Электроклапан 1°(XL 9ER-SR), **U2.** Электроклапан 2°(XL 9SR)

## ТОПЛИВО

**ВНИМАНИЕ:** Нагреватель может наполняться ИСКЛЮЧИТЕЛЬНО керосином или отопительным маслом.

Применение загрязненного топлива может стать причиной:

- Засорения фильтра и сопла топлива.
- Образования угольных осадков на электродах.

При низких температурах окружения следует использовать нетоксическое средство, предотвращающее застывание топлива.

## ПРИНЦИП РАБОТЫ

Вентиляция, необходимая для сжигания, вырабатывается вентилятором и подается внутрь горелки. Воздух, находящийся в трубе горелки, смешивается с топливом, которое распыляется с помощью высоконапорных сопел. Топливо всасывается из резервуара посредством ротационного насоса, который нагнетает топливо под высоким давлением в сопло с целью его распыления.

## РУКОВОДСТВО ПО ЭКСПЛУАТАЦИИ

**ВНИМАНИЕ:** Перед началом эксплуатации нагревателя, и как следствие перед его подключением к электрической сети, следует проверить, соответствуют ли параметры сети параметрам, указанным на фабричном информационном щитке нагревателя.

### ВКЛЮЧЕНИЕ НАГРЕВАТЕЛЯ


1. Следует соблюдать все указания на тему техники безопасности.
2. Наполнить резервуар дизельным топливом или отопительным маслом.
3. Закрыть крышку топливного резервуара.
4. Подключить провод питания к заземленному настенному гнезду с напряжением, указанным на фабричном номинальном щитке нагревателя.


### ВКЛЮЧЕНИЕ НАГРЕВАТЕЛЯ БЕЗ ТЕРМОСТАТА

#### • XL 9ER

Установить переключатель (B Рис. 5) в положении включения (I). Нагреватель начнет работать в режиме предварительной вентиляции по истечении 10 секунд от начала работы горелки.

#### • XL 9SR

**ВНИМАНИЕ:** Перед включением нагревателя убедиться, что кнопка (C Рис. 5) находится в соответствующем положении .

Установить переключатель (B Рис. 5) в положении включения (I). Нагреватель начнет работать в режиме предварительной вентиляции по истечении 10 секунд от начала работы горелки. С целью достижения максимальной производительности установить кнопку в положении как на рисунке (C Рис. 5) .

### ВКЛЮЧЕНИЕ НАГРЕВАТЕЛЯ С ТЕРМОСТАТОМ

Установить термостат или контрольное устройство (например, регулятор времени), если таковое имеется так, чтобы обеспечить действие нагревателя.

**ВНИМАНИЕ:** Нагреватель может работать в автоматическом режиме ТОЛЬКО в случае подключения контрольного устройства, например, термостата или регулятора времени. Контрольное устройство следует подключить к нагревателю согласно "СХЕМЕ ЭЛЕКТРИЧЕСКИХ СОЕДИНЕНИЙ".

Перед включением нагревателя или после полного опорожнения топливного шланга поток топлива с сопла слишком маленький, в результате чего срабатывает предохранительный механизм, контролирующий пламя (см. пункт ПРЕДОХРАНИТЕЛЬНЫЕ МЕХАНИЗМЫ), в результате происходит выключение нагревателя. В таком случае следует, по истечении около одной минуты, нажать кнопку повторного включения (D на Рис. 5-6) и включить нагреватель. Если нагреватель не включается, следует:

1. Убедиться в том, что в резервуаре (N на Рис. 4) есть топливо.
2. Нажать кнопку повторного включения (D на Рис. 5-6).

Если нагреватель по-прежнему не включается, следует ознакомиться с рекомендациями раздела "НЕИСПРАВНОСТИ И ИХ ВОЗМОЖНЫЕ ПРИЧИНЫ" с целью определения причины такого состояния прибора.

**ВНИМАНИЕ:** Перед повторным включением (прибор должен быть выключен и охлажден) следует заблокировать винты регулятора угла наклона.

**ВНИМАНИЕ:** Электрическая проводка подачи питания в нагреватель должна быть заземлена и оснащена дифференциальным электромагнитно-термическим расцепителем. Провод питания нагревателя должен быть подключен к штепселю, оснащенный разъединителем.

### ВЫКЛЮЧЕНИЕ НАГРЕВАТЕЛЯ

Переставить переключатель (B на Рис. 5) в положение выключения (O) или выключить термостат или контрольное устройство (регулятор времени), если одно из этих устройств подключено к нагревателю. Пламя погаснет, но надув воздуха по-прежнему будет иметь место до момента завершения цикла последующей вентиляции (охлаждения).

**ВНИМАНИЕ:** Перед изъятием вилки провода питания из настенного гнезда следует подождать, пока цикл последующей вентиляции будет полностью завершен (охлаждение длится около 3 минут).

## ПРЕДОХРАНИТЕЛЬНЫЕ УСТРОЙСТВА

Нагреватель имеет предохранительное устройство (L на Рис. 6), контролирующее состояние пламени. Если во время работы нагревателя появляются признаки неправильной работы, предохранительное устройство выключает горелку и появляется подсветка кнопки повторного включения (D на Рис. 5-6). Прибор также имеет систему охлаждения, которая дает возможность оптимального, автоматического охлаждения камеры сжигания в течение 3 минут. Перед повторным включением нагревателя следует определить и устранить причину, которая привела к выключению горелки.

## ПЕРЕМЕЩЕНИЕ И ТРАНСПОРТИРОВКА

**ВНИМАНИЕ:** Перед перемещением или подъемом нагревателя следует проверить, крепко ли докручены пробки топлива (F и H на Рис. 3).

### ТРАНСПОРТ

Прибор можно без проблем перемещать и устанавливать в поднятом положении благодаря механизму рым-болтов (B Рис. 3 или Рис. 7). Благодаря этому есть возможность подбора наилучшего положения для отопления, размораживания и осушения.

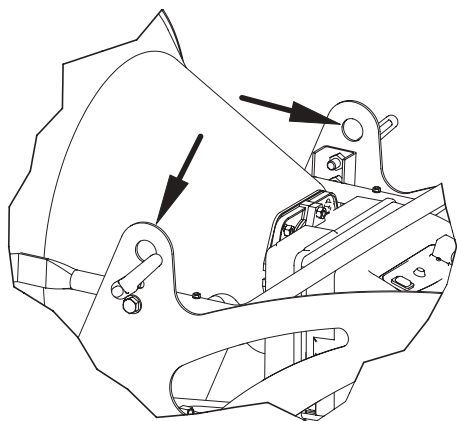


Рисунок 7 - Транспортный прицепной механизм

### ПЕРЕМЕЩЕНИЕ

Представленный в данной инструкции нагреватель может иметь заднее поворотное колесо (G на Рис. 3). В таком случае, - если напольный материал предоставляет такие возможности - нагреватель можно перемещать, толкая его как тележку. Если нагреватель не имеет заднего поворотного колеса, следует снять блокаду с петли (P на Рис. 4), расположенной на одной из боковых консолей нагревателя. Переложить держатели с положения фиксации (Рис. 8) в транспортное положение (Рис. 9). Поднять нагреватель так, чтобы он находился только на двух передних колесиках и переместить в требуемое место.

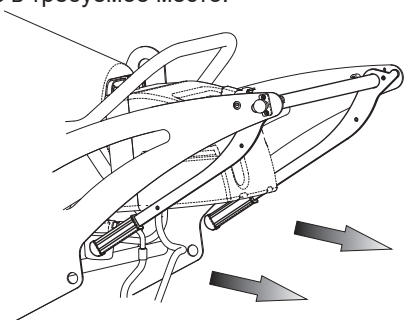


Рисунок 8 - Держатели в положении фиксации, нагреватель

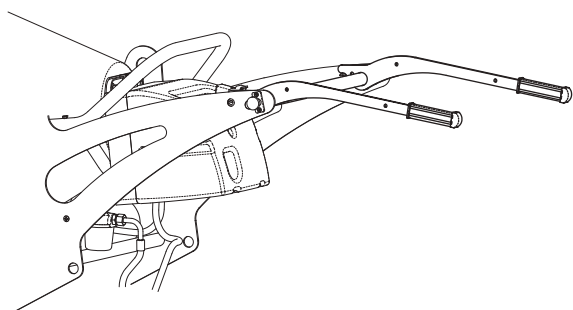


Рисунок 9 - Держатели в транспортном положении, нагреватель

**ВНИМАНИЕ:** Перед началом работ по техобслуживанию следует: выключить прибор согласно инструкциям, представленным в разделе „ВЫКЛЮЧЕНИЕ ГЕНЕРАТОРА“; отключить от источника питания и подождать, пока нагреватель остынет.

## ГРАФИК ТЕХОБСЛУЖИВАНИЯ

**ВНИМАНИЕ:** Перед началом работ по техобслуживанию следует: выключить прибор согласно инструкциям, представленным в разделе „ВЫКЛЮЧЕНИЕ ГЕНЕРАТОРА“; отключить от источника питания и подождать, пока нагреватель остынет.

Рекомендации, содержащиеся в данном параграфе касаются периода между эксплуатационными осмотрами, зависящими от чистоты топлива и условий, в которых работает нагреватель - время указано для хорошо вентилируемых помещений с небольшим содержанием пыли и при условии использования чистого топлива.

Каждые 50 часов эксплуатации следует:

- Разобрать емкость (см. „ОЧИСТКА ТОПЛИВНОГО ФИЛЬТРА“), вынуть и очистить ее.

Каждые 200 часов эксплуатации следует:

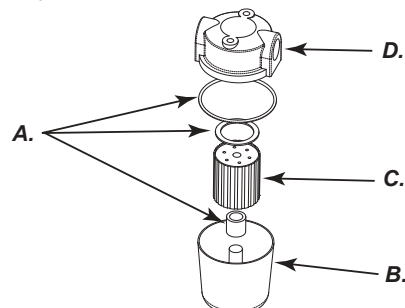
- Разобрать фильтр насоса (см. „ОЧИСТКА ФИЛЬТРА НАСОСА“), вынуть и очистить.

Каждые 300 часов эксплуатации следует:

- Разобрать горелку и очистить внутреннюю часть тубы горелки, диск пламени, электроды регуляции, а если есть необходимость их межосевое расстояние (см.: „ОЧИСТКА ГОРЕЛКИ“).

### ОЧИСТКА ТОПЛИВНОГО ФИЛЬТРА

- Открутить пластиковый стакан и вынуть вкладыш фильтра.
- Тщательно очистить вкладыш с использованием бензина.
- Обратно установить вкладыш фильтра и вкрутить стакан в корпус топливного фильтра, питающего систему сгорания.

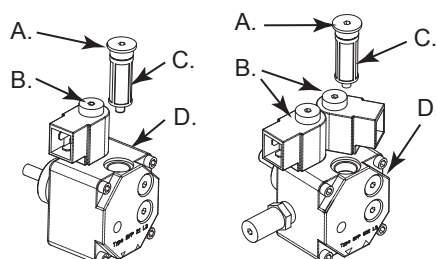


А. Парнизон, В. Пластиковый стакан, С. Фильтра, D. Корпус вход / выход топлива

Рисунок 10 - Фильтр нагревателя

### ОЧИСТКА ФИЛЬТРА НАСОСА

- Демонтировать корпус горелки, (F. Рис. 5), чтобы обеспечить доступ к насосу горелки (O Рис. 6).
- Снять панель (A Рис. 11), крепящую фильтр к насосу.
- Вынуть фильтр (C Рис. 11) из корпуса.
- Тщательно очистить его топливным маслом или дизельным топливом.
- Обратно установить и докрутить панель фильтра к насосу.



А. Панель фильтра насоса, В. Одиночный электроклапан для XL 9; двойной электроклапан для XL 9ER, С. Фильтра, D. Насоса

Рисунок 11 - Насосы горелки

### ОЧИСТКА ГОРЕЛКИ

- Выкрутить болт (Н на Рис. 5), крепящий горелку (А на Рис. 3) в камере сгорания.
- Вынуть горелку из камеры сгорания (Рис. 3).
- Выкрутить три гайки (В на Рис. 12), крепящие трубку горелки (А на Рис. 12).
- Снять трубку.
- Выкрутить болт (С на Рис. 13), крепящий комплект дисков для огневых электродов и вынуть держатель сопла (F Рис. 14).
- Очистить диск пламени (D на Рис. 14) и электроды (E на Рис. 14).
- Выкрутить сопло (G на Рис. 14) из держателя сопла (F на Рис. 14), очистить или в случае необходимости заменить сопло.
- Вкрутить сопло (G на Рис. 14) в держатель сопла.
- Обратно установить комплект диск пламени-электроды, обращая внимание на сохранение правильного расстояния как показано на (Рис. 14).

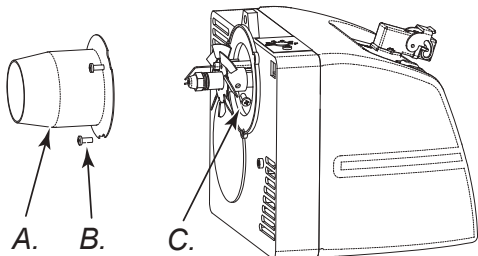


Рисунок 12 - Демонтаж горелки

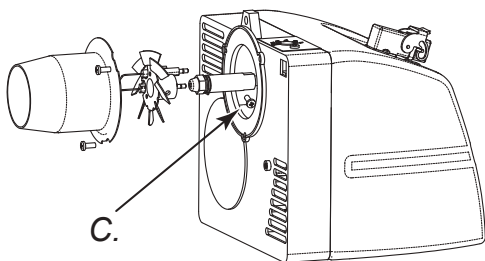


Рисунок 13 - Комплект диск пламени-электроды

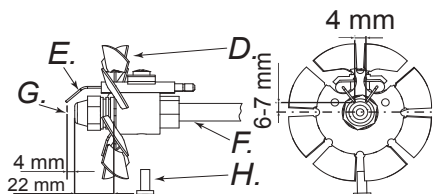
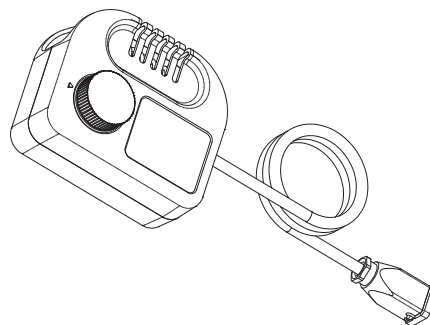


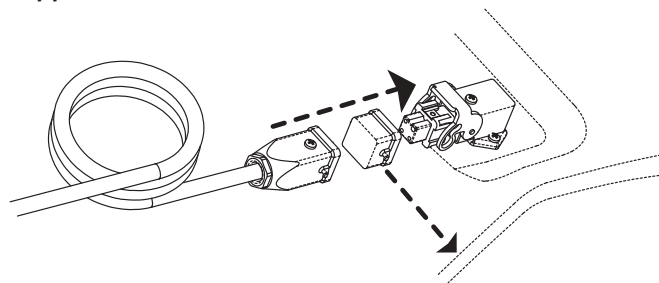
Рисунок 14 - Расстояние между электродами и соплом

А. Трубка горелки, В. Трубка горелки болт, С. Болт диск пламени, D. Диск пламени, E. Электроды, F. Трубка, G. Сопло, H. Болт

### ACCESSORI ТЕРМОСТАТ

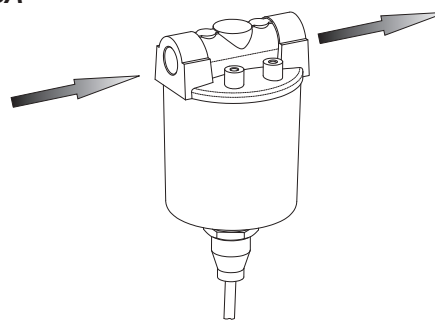


### ПОДКЛЮЧЕНИЕ КОНТРОЛЬНОГО УСТРОЙСТВА

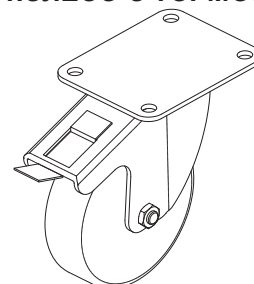


**ПРИМЕЧАНИЕ:** Перед началом работ по техобслуживанию следует: выключить прибор согласно инструкциям, представленным в разделе „ВЫКЛЮЧЕНИЕ ГЕНЕРАТОРА”; отключить от источника питания и подождать, пока нагреватель остынет.

### ФИЛЬТР ПРЕДВАРИТЕЛЬНОГО ПОДОГРЕВА ТОПЛИВА



### ПОВОРОТНОЕ КОЛЕСО С ТОРМОЗОМ



## НЕИСПРАВНОСТИ И ИХ ВОЗМОЖНЫЕ ПРИЧИНЫ

**ВНИМАНИЕ:** Перед началом каких-либо ремонтных работ следует выключить нагреватель, действуя согласно рекомендациям, содержащимся в пункте „ВЫКЛЮЧЕНИЕ НАГРЕВАТЕЛЯ“; отключить нагреватель от источника питания, вынимая вилку провода питания из настенного гнезда; подождать, пока нагреватель остынет.

НЕИСПРАВНОСТЬ	ВОЗМОЖНАЯ ПРИЧИНА	ИСПРАВЛЕНИЕ
Нагреватель выключается при активном пламени. Кнопка повторного включения активна (D на Рис. 5-6)	<ol style="list-style-type: none"> <li>1. Перерыв в контуре фоторезистора или загрязнение фоторезистора сажей</li> <li>2. Загрязненная камера сгорания</li> <li>3. Повреждена система регуляции пламени</li> <li>4. Загрязненный диск или трубка пламени (на Рис. 12, 13, 14)</li> </ol>	<ol style="list-style-type: none"> <li>1. Очистить или заменить фоторезистор</li> <li>2. Демонтировать передний дефлектор и очистить внутреннюю часть камеры сгорания</li> <li>3. Заменить систему регуляции пламени</li> <li>4. Демонтировать и очистить</li> </ol>
Нагреватель выключается, выбрасывая топливо без возгорания пламени. Кнопка повторного включения активна (D на Рис. 5-6)	<ol style="list-style-type: none"> <li>1. Повреждение электропроводки</li> <li>2. Отключен или поврежден трансформатор зажигания (M на Рис. 4)</li> <li>3. Короткое замыкание обмотки трансформатора зажигания с массой</li> <li>4. Неправильная установка расстояния между электродами</li> <li>5. Короткое замыкание электродов в массу, вызванное их загрязнением или повреждением изоляции</li> </ol>	<ol style="list-style-type: none"> <li>1. Проверить целую электропроводку нагревателя</li> <li>2. Заменить</li> <li>3. Заменить</li> <li>4. Установить правильное расстояние между электродами (на Рис. 14)</li> <li>5. Очистить или, в случае необходимости, заменить электроды</li> </ol>
Из сопла нагревателя не разбрызгивается топливо и нагреватель выключается. Кнопка повторного включения активна (D на Рис. 5-6)	<ol style="list-style-type: none"> <li>1. Фотозлемент реагирует на сильный источник света</li> <li>2. Отсутствие фазы в питании электрического двигателя</li> <li>3. Отсутствие подачи топлива в насос</li> <li>4. Отсутствие топлива в резервуаре</li> <li>5. Сопло засорено</li> </ol>	<ol style="list-style-type: none"> <li>1. Установить прибор таким образом, чтобы источник света не попадал на передний дефлектор</li> <li>2. Проверить электропроводку</li> <li>3. Проверить топливные шланги (D на Рис. 3)</li> <li>4. Наполнить резервуар топливом</li> <li>5. Очистить или заменить сопло</li> </ol>
Горелка не включается	<ol style="list-style-type: none"> <li>1. Контрольное устройство (термостат или регулятор времени) включен</li> <li>2. Короткое замыкание в контуре фоторезистора (T на Рис. 6)</li> <li>3. Отсутствие напряжения питания, вызванное выключением выключателя (4) или выключением главного выключателя в результате перерыва в подаче напряжения</li> <li>4. Неправильная установка контрольного устройства (термостата или регулятора времени)</li> <li>5. Повреждена система регуляции пламени</li> <li>6. Перегорел предохранитель, расположенный под панелью горелки</li> </ol>	<ol style="list-style-type: none"> <li>1. Увеличить настройки контрольного устройства</li> <li>2. Заменить</li> <li>3. Отключить подачу электропитания, после чего выключить выключатели или подождать до момента возобновления подачи электропитания</li> <li>4. Проверить контрольное устройство на предмет правильной установки, руководствуясь схемой электрических соединений</li> <li>5. Заменить</li> <li>6. Заменить (F на Рис. 5)</li> </ol>
Параметры пламени неправильные, имеет место неприятный запах, заметен черный дым или пламя выходит из-под переднего дефлектора	<ol style="list-style-type: none"> <li>1. Низкое давление распыления</li> <li>2. Недостаточное количество воздуха, необходимого для сжигания</li> <li>3. Сопло засорено в результате загрязнения или слишком длительной эксплуатации</li> <li>4. Вода в топливе. Низкое качество топлива</li> <li>5. В резервуаре заканчивается топливо</li> </ol>	<ol style="list-style-type: none"> <li>1. Установить правильный параметр давления</li> <li>2. Увеличить количество воздуха, необходимого для сжигания</li> <li>3. Очистить или заменить сопло</li> <li>4. Спустить топливо с помощью сливной трубки (M на Рис. 4)</li> <li>5. Повторно наполнить резервуар</li> </ol>

Срок эксплуатации оборудования 5 лет.

## SISÄLTÖ

1. TUOTTEEN ESITTELY
1. PURKAMINEN JA PAKKAAMINEN
2. TURVALLISUUTEEN LIITTYVÄÄ TIETOA
3. TUOTTEIDEN TUNNISTUS
4. POLTTOAINE
4. TOIMINTAPERIAATTEET
4. KÄYTTÖÖNOTTO
4. TURVALAITTEET
4. KULJETUS JA LIIKUTTAMINEN
5. ESIHUOLTO-OHJELMA
6. LISÄVARUSTEET
7. VIANMÄÄRITYS

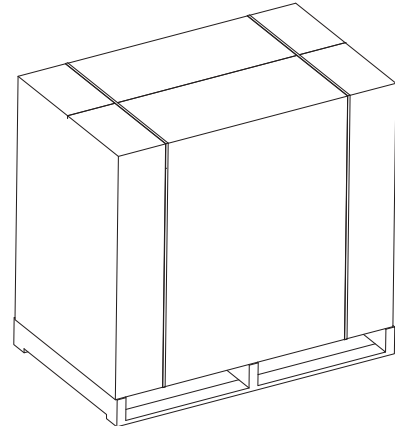
## TUOTTEEN ESITTELY

XL 9 on infrapunasäteilyllä toimiva lämpögeneraattori. Säteilyteknologia seuraa samaa fysiikan periaatetta kuin auringonvalon lämpö. Aurinko lämmittää ihoa ilman ilmapirtaa säteilyaaltojen välityksellä. Säteilyjärjestelmä on saamassa vahvan kannattajajoukon ammattimaisista asiakkaista tämän tyyppisen teknologian tarjoamista lukemattomista eduista johtuen. XL 9, joka on valmistettu tätä fysiikan periaatetta noudattaen, on korvaamaton lämpögeneraattori siellä, missä tarvitaan tasaista ja yhtenäistä lämmönlähdettä lämmittämään, sulattamaan ja kuivaamaan. Lisäksi, hiljaisuutensa vuoksi, laitetta voidaan käyttää työtiloissa, ilman häiriötä, jotka normaalisti aiheutuvat lämmitysjärjestelmien melusta. Generaattorissa on kumiset pyörät, sitä voidaan helposti siirtää tilasta toiseen, ja se on helppo nostaa ja sijoittaa eri työtasolle erityisten nostosilmukoiden avulla. Pitkä suorituskyky ja mahdollisuus automaattiseen termostaattitoimintoon antavat käyttäjälle vapauden käytön aikana. Ulkoinen osoitin, joka kertoo säiliössä jäljellä olevan polttoaineen määrän, mahdollistaa nopean tarkastuksen polttoaineen täyttötarpeesta. Versioon SR voi saada kaksi eri tehovaihdetta, mikä mahdollistaa koneen paremman hyödyntämisen eri käyttötavoissa ja vuoden eri aikoina.

## PAKKAUKSESTA POISTAMINEN JA PAKKAAMINEN

### PAKKAUKSESTA POISTAMINEN

- Poista tuet, joita on käytetty laitteen pakkaamiseen (Kuva 1).
- Avaa pakkaus sen yläosasta.
- Poista pahvi yläosasta.
- Poista tuet, jotka pitävät generaattorin lavassa (Kuva 2).
- Laske lämmityslaite varovasti lavalta.
- Hävitä generaattorin pakkausmateriaali oleskelumaassa voimassa olevien määräysten mukaisesti.
- Tarkista laite kuljetuksen aikana aiheutuneiden vahinkojen varalta. Jos laite on vahingoittunut, ilmoita välittömästi kauppiaille, jolta laite on hankittu.

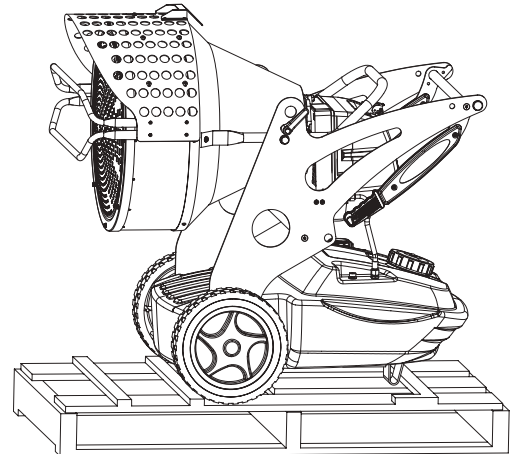


**Kuva 1 - Pakkaaminen**

### PAKKAAMINEN JA VARASTOINTI

Siinä tapauksessa, että generaattori on varastoitava tai siinä ilmenee kuljetuksen aikana aiheutuneita vaurioita tai se on korjattava, toimi seuraavasti:

- Tarkista, että koneessa ei aiheuta vaurioita, erityisesti päästä polttoainetta ulos. Tässä tapauksessa tyhjennä säiliö jäljellä olevasta polttoaineesta.
- Aseta generaattori samalle lavalle, josta se on purettu (varastointi) tai sopivalle lavalle takaisin lähetystä varten (europallet EPA).
- Kiinnitä generaattori asianmukaisesti lavaan (Kuva 2).
- Jos mahdollista, aseta pahvipakkaus lavan päälle ylhäältä käsin ja kiinnitä se sopivalla materiaalilla (Kuva 1).
- Varastoi laite sopivaan, ei kosteaan paikkaan. Älä pinoa enempää kuin kaksi laitetta päällekkäin. Lähetä generaattori kuten Kuvassa 1 tai vähintään kuten Kuvassa 2.



**Kuva 2 - Lavalla**

## TURVALLISUUTEEN LIITTYVÄÄ

### TIETOA

#### VAROITUS



**TÄRKEÄÄ:** Lämmityslaite on tarkoitettu liikkuviin ja väliaikaisiin ammattimaisiin sovelluksiin. Sitä ei ole tarkoitettu kotitalouskäyttöön eikä henkilökohtaiseen lämmitykseen.

**TÄRKEÄÄ:** Lue huolellisesti ja kokonaan ohjekirja ennen tämän generaattorin käyttöönottoa tai huoltotoimenpidettä. Generaattorin virheellinen käyttö voi aiheuttaa vakavia tai hengenvaarallisia vammoja johtuen palovammasta, syttymisestä, räjähdyksestä, sähköiskusta tai häkään tukehtumisesta.

**VAARA:** Hiilimonoksidi voi olla hengenvaarallista.

**Hiilimonoksidimyrkytys** - Ensimmäiset hiilimonoksidimyrkytyksen (häkämrykytys) oireet muistuttavat influenssaa ja siihen kuuluu päänsärkyä, huimausta ja/tai pahoinvointia. Kyseiset oireet voivat johtua generaattorin viallisesta toiminnasta. **Tässä tapauksessa, poistu välittömästi ulkoilmaan.** Vie generaattori huoltoon. Varmista, että olet lukenut ja ymmärtänyt kaikki varoitukset. Säilytä tämä ohjekirja myöhempää tarvetta varten: toimii käyttöoppaana laitteen oikeaa ja turvallista käyttöä varten.

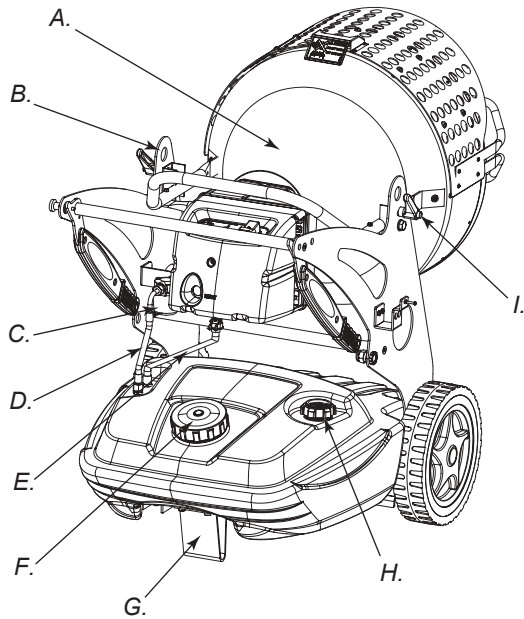
Käytä yksinomaan dieseliä tai kerosiinia, jotta tulipalo- tai räjähdysvaaralta vältyttäisiin. Älä koskaan käytä bensiiniä, öljyä, maaleille tarkoitettuja liuottimia tai muita erittäin tulenarkoja polttoaineita.

• Tankkaus:

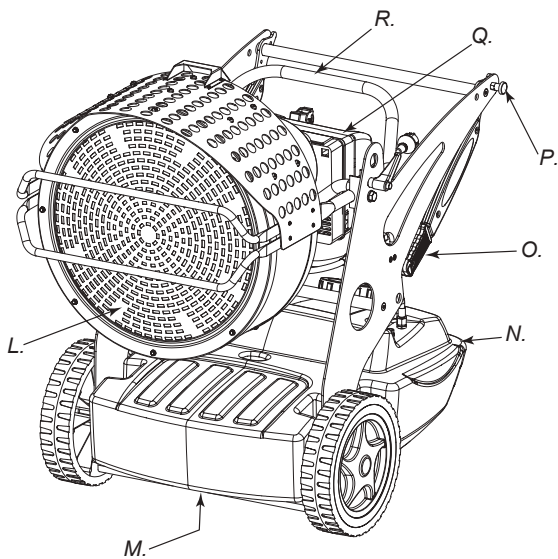
- Tankkauksesta huolehtivan henkilöstön on oltava ammattitaitoinen ja tunnettava valmistajan antamat ohjeet sekä generaattoreiden turvalliseen tankkaamiseen liittyvät voimassa olevat määräykset.
  - Käytä yksinomaan generaattorin kilvessä mainittua polttoainetyyppejä.
  - Ennen tankkausta, sulje kaikki tulenlähteet ja odota, että generaattori jäähtyy.
  - Tankkauksen aikana, tarkkaile kaikkia polttoainelinjoja ja liitoksia mahdollisten vuotojen varalta. Mahdollinen vuoto on korjattava ennen generaattorin käyttöönottoa.
  - Samassa rakennuksessa lämmityslaitteen lähellä ei saa missään tapauksessa säilyttää suurempaa määrää polttoainetta, kuin mikä on tarpeellista yhden päivän lämmitystä varten. Polttoaineen varastointisäiliöitä on pidettävä erillisessä rakennuksessa.
  - Kaikki polttoainesäiliöt on säilytettävä turvallisen välimatkan päässä (vallitsevien säädösten mukaisesti) lämmityslaitteista, puhalluslamppuista, hitsauslaitteista ja vastaavista sytytyslähteistä (erotuksena generaattorin sisältämä polttoainesäiliö).
  - Polttoainetta on säilytettävä tiloissa joiden lattia ei salli sen tunkeutumista ja tihkumista alla oleviin liekkeihin, jotka voivat saada sen syttymään.
  - Polttoainetta on säilytettävä voimassa olevien määräysten mukaisesti.
- Älä säilytä generaattoria koskaan tiloissa, joissa on bensiiniä, maalliuottimia tai syttyviä höyryjä tai suuria määriä pölyä.

- Lämmityslaitteen käytön aikana noudata kaikkia paikallisia määräyksiä ja voimassa olevia lakeja.
- Lähellä pressuja, verhoja tai muita samankaltaisia peitemateriaaleja käytettyjä generaattoreita on pidettävä turvaetäisyydellä niistä. Suositeltu minimi turvaetäisyys on määritelty oleskelumaan voimassa olevissa määräyksissä. Palonkestävien peitemateriaalien käyttö on lisäksi suositeltavaa. Nämä materiaalit on kiinnitettävä turvallisella tavalla, jotta syttymisvaaralta vältytään ja on varmistettava, etteivät ne aiheuta tuulesta johtuvaa häiriötä generaattorille.
- Käytä yksinomaan kunnolla tuuletetuissa tiloissa. Järjestä tästä johtuen oleskelumaan voimassa olevien määräysten mukaisesti tuuletusaukko tai ilmanvaihtojärjestelmä niin, että tilaan pääsee raikasta ilmaa ulkoa.
- Syötä generaattoriin yksinomaan sen arvokilvessä merkittyä sähköjännitettä ja -taajuutta.
- Käytä yksinomaan kolmijohdin jatkojohtoja, jotka on maadoitettu.
- Säilytä minimiturvallisuusväli lämmityslaitteen ja polttoaineiden välillä oleskelumaan voimassa olevien määräysten mukaisesti.
- Aseta kuuma, käynnissä oleva generaattori vakaalle ja tasaiselle pinnalle, jotta tulipalovaaraa voitaisiin välttää.
- Kun generaattoria siirretään tai se varastoidaan, laite on pidettävä aina samassa asennossa, jotta vältytään polttoainevuodolta.
- Älä päästä lapsia tai eläimiä generaattorin läheisyyteen.
- Kytke generaattori irti verkkopistokkeesta kun sitä ei käytetä.
- Kun laitetta ohjataan ohjauslaitteen (huonetermostaatti) avulla, lämmityslaite voi käynnistyä millä hetkellä tahansa.
- Älä käytä generaattoria koskaan huoneissa, joissa oleskellaan paljon.
- Älä peitä koskaan ilman imu- tai poistoaukon ritilöitä.
- Kun generaattori on kuuma, sähköverkkoon kytketty tai käynnissä, sitä ei saa koskaan siirtää, käsitellä, tankata tai huoltaa miltään osin.
- Savu, joka ilmenee ensimmäisen polton aikana, johtuu polttokattilan orgaanisen materiaalin (keramiikka) haihtumisesta ja korroosionestoöljystä poltinkomponenttien pinnalla. Muutaman minuutin kuluttua savu häviää.
- Käytä laitetta -30°C ja +40°C välisessä lämpötilassa.

## TUOTTEIDEN TUNNISTUS

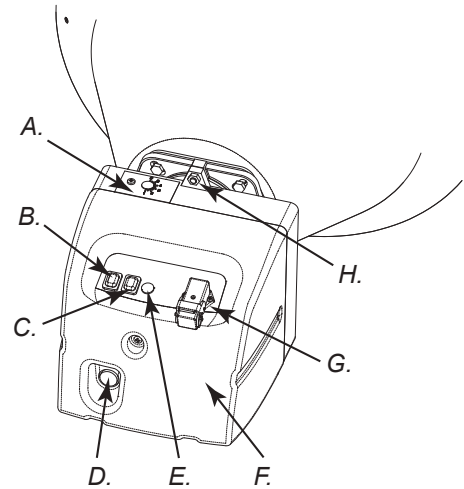


Kuva 3

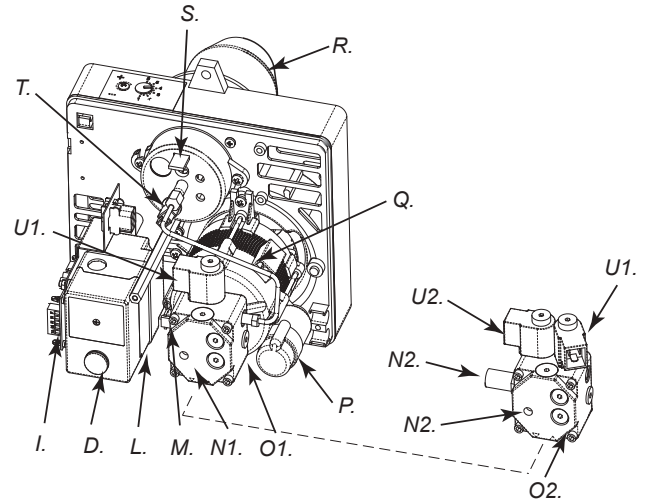


Kuva 4

**A.** Polttokattila, **B.** Laitteen nostoaukko, **C.** Polttoainesuodin tai esilämmitys-suodin (valinnainen), **D.** Polttoaineen lähetin, **E.** Polttoaineen palautus, **F.** Polttoainetankin tulppa, **G.** Jalas tai rulla (valinnainen), **H.** Polttoainemäärän ilmaisin, **I.** Polttoaineyksikön lukitusruuvi, **L.** Suojus, **M.** Säiliön tyhjennystulppa, **N.** Polttoainesäiliö, **O.** Generaattorin kuljetuskahvat, **P.** Kahvan lukitustappi, **Q.** Poltin, **R.** Polttoainekattilan kiertokahva.



Kuva 5 - Komennot



Kuva 6 - Polttimen komponentit

**A.** Ilmavirran säädöt, **B.** ON/OFF kytkin, **C.** Kakkostehon ON/OFF kytkin (XL 9SR), **D.** RESET painike, **E.** Jänniteosoitin, **F.** Polttimen konepelti, **G.** Huonetermostaatin pistoke, **H.** Polttimen säätöruuvi, **I.** Jälkituuletuslaite, **L.** Liekin kontrollilaite, **M.** Muuntaja, **N1.** Pumpun paineensäädin (XL 9ER), **N2.** Pumpun paineensäädin (XL 9SR), **O1.** Polttoainepumppu (XL 9ER), **O2.** Polttoainepumppu (XL 9SR), **P.** Kondensaattori, **Q.** Moottori, **R.** Polttimen holkki, **S.** Palamispään säädin, **T.** Valovastus, **U1.** Sähköventtiili 1° vaiheen liekki (XL 9ER-SR), **U2.** Sähköventtiili 2° vaiheen liekki (XL 9SR).



## POLTTOAINE

**HUOMIO:** Generaattori toimii VAIN kerosiinilla tai dieselöljyllä.

Epäpuhtaan polttoaineen käyttö voi aiheuttaa:

- Polttoainesuodattimen ja suuttimen tukkeutumisen.
- Polttoainejäämien muodostumisen elektrodeihin.

Alhaisissa lämpötiloissa käytä myrkyttömiä jäänestoaineita.

## TOIMINTAPERIAATTEET

Kunnollisen palamisen varmistamiseksi tarvittava ilma syntyy polttimen sisällä olevassa tuulettimessa. Ilmavirtaus tulee ulos polttinlinjasta ja se sekoittuu polttoaineeseen, jonka suutin ruiskuttaa korkeapaineella. Suuttimen ruiskuttama polttoaine pääsee suuttimeen pyörivän pumpun avulla, joka imee polttoaineen säiliöstä ja työntää sen korkealla paineella suuttimeen ruiskutusta varten.

## KÄYTTÖÖNOTTO

**VAROITUKSIA:** Ennen generaattorin käyttöönottoa, eli ennen sen liittämistä sähkövirtaan, on tarkistettava, että sähköverkon ominaisuudet vastaavat generaattorin tunnistuskilvessä ilmoitettuja ominaisuuksia.

### GENERAATTORIN KÄYNNISTYS

1. Noudata kaikkia turvallisuuteen liittyviä ohjeita.
2. Täytä polttoainesäiliö.
3. Kierrä kiinni säiliön tulpaa.
4. Liitä virtajohto maadoitettuun sähköpistokkeeseen, jossa on sama jännite, kuin laitteen tunnistuskilvessä ilmoitettu jännite.

### KÄYNNISTYS ILMAN HUONETERMOSTAATTIA

#### • XL 9ER

Kytke käynnistyskytkin (B Kuva 5) asentoon ON (I). Alkaa esituuletusvaihe ja noin 10 sekunnin kuluttua alkaa palaminen.

#### • XL 9SR

**VAROITUS:** Ennen generaattorin käynnistämistä varmista, että kytkin (C Kuva 5) on asennossa.

Kytke käynnistyskytkin (B Kuva 5) asentoon ON. Alkaa esituuletusvaihe ja noin 10 sekunnin kuluttua alkaa palaminen.

Saadaksesi maksimitehon laitteesta, aseta kytkin (C Kuva 5) asentoon.

### KÄYNNISTYS HUONETERMOSTAATILLA

Säädä huonetermostaatti tai ohjauslaite (esim. ajastin), jos liitetty, käyttöönottoa varten.

**VAROITUS:** Generaattori voi toimia automaattilla VAIN, jos ohjauslaite, esimerkiksi Huonetermostaatti tai Ajastin on kytketty generaattoriin. Kytkeäksesi ohjauslaite lämmityslaitteeseen katso kappale "SÄHKÖKAAVIO".

Ensimmäisellä käyttökerralla tai dieselkierron täydellisen tyhjentämisen jälkeen, dieselin virtaus suuttimeen voi olla riittämätön ja aiheuttaa turvatarkastuslaitteen syttymisen (katso kappale "TURVALAITE"), joka sammuttaa generaattorin. Tässä tapauksessa, noin minuutin odottamisen jälkeen, paina painiketta RESET (D Kuva 5 ja 6) ja käynnistä laite uudestaan.

Jos laite ei toimi, ensimmäiset toimenpiteet on esitelty seuraavassa:

1. Tarkista, että säiliö (N Kuva 4) sisältää edelleen dieselöljyä;
2. Paina reset-painiketta (D Kuva 5 ja 6).

Jos näiden toimenpiteiden jälkeen laite ei edelleenkään toimi, katso kappale "VIANMÄÄRITYS" selvittääksesi vian syy.

**HUOMIO:** Ennen toista käynnistysyritystä (generaattorin ollessa sammunut ja sopivan viileä) tarkista etusuojuksen ruuvien kiinnitys (L Kuva 4).

**VAROITUS:** Generaattorin virtajohdon on oltava maadoitettu ja siinä on oltava erottava sulakekytkin. Generaattorin on oltava liitettynä turvakytkimellä varustettuun töpseliin.

### GENERAATTORIN SAMMUTUS

Aseta kytkin (B Kuva 5) asentoon OFF (O) tai kytke laite pois päältä huonetermostaatin tai ohjainlaitteen (ajastin) avulla. Liekki sammuu ja tuuletus jatkuu jälkituuletusjakson loppuun saakka (jäähdytys).

**VAROITUS:** Ennen virtajohdon irrottamista töpselistä, odota jälkituuletusjakson loppuun saattamista (jäähdytys noin 3 min).

## TURVALAITTEET

Generaattori sisältää turvalaitteen (L Kuva 6) liekin kontrolloimiseksi. Jos ilmenee yksi tai useampia häiriöitä käytön aikana, turvalaite aiheuttaa polttimen lukituksen ja RESET painikkeen valon syttymisen (D Kuva 5 tai 6).

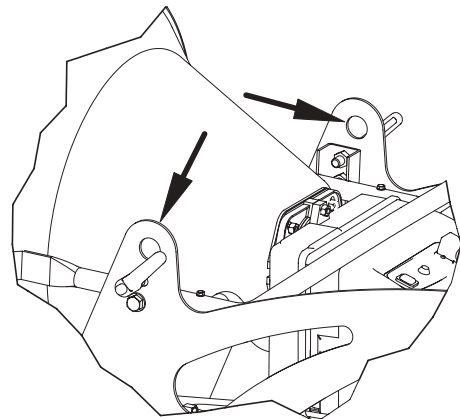
Generaattori sisältää myös jälkituuletuslaitteen. Tämä laite mahdollistaa polttokattilan optimaalisen ja automaattisen jäähdytyksen noin kolmessa minuutissa. Ennen generaattorin käyttöönottoa on selvitettävä, mikä lukituksen aiheutti.

## KULJETUS JA LIIKUTTAMINEN

**VAROITUS:** Ennen laitteen nostamista ja liikuttamista on varmistettava että säiliön tulpat (F ja H Kuva 3) ovat hyvin kiinni.

### KULJETUS

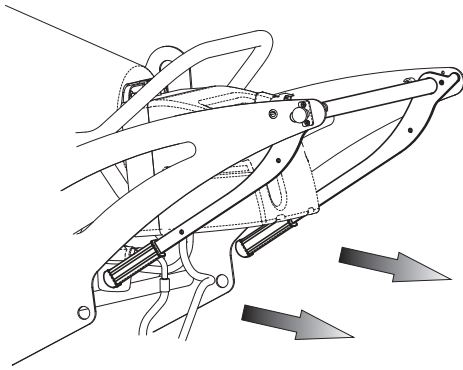
Generaattori voidaan helposti siirtää tilasta toiseen, ja se on helppo nostaa ja sijoittaa eri työtasoille erityisten nostosilmukoiden avulla (B Kuva 3 tai 7). Kone on myös mahdollista ankkuroida ja nostaa sinne, missä on tarvetta lämmitellä, sulattaa tai kuivattaa.



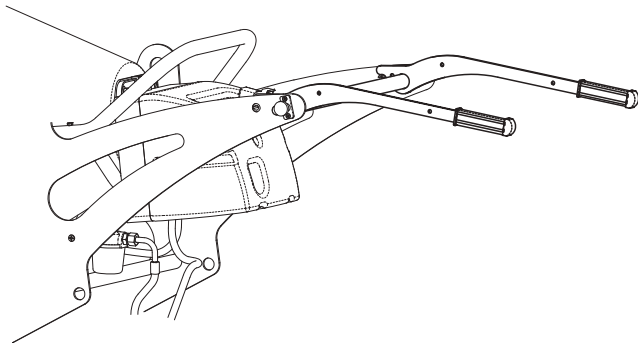
Kuva 7 - Ankkurointisilmukat

## LIIKUTTAMINEN

Generaattori voidaan toimittaa kääntyvillä renkailla (G Kuva 3). Tässä tapauksessa, jos maasto sen mahdollistaa, generaattoria voidaan työntää kärryn lailla. Jos laite ei sisällä kääntyviä renkaita, voit aukaista tapin (P Kuva 4), joka sijaitsee yhdessä generaattorin sivutelineistä. Laske kahvat "lepotilasta" (Kuva 8). Käännä kahvoja "liikutusasentoon" (Kuva 9). Nosta generaattoria ja siirrä sitä rullaamalla etupyörien päällä.



Kuva 8 - Kahvat kiinni



Kuva 9 - Kahvat auki

**VAROITUS:** Ennen laitteen liikuttamista on: sammutettava laite seuraamalla kappaleessa "GENERAATTORIN SAMMUTUS" annettuja ohjeita; vedettävä virtajohto pistokkeesta ja odotettava, että generaattori jäähtyy.

## ESIHUOLTO-OHJELMA

**VAROITUS:** Ennen minkä tahansa huoltotoimenpiteen aloittamista on: pysäytettävä laite seuraamalla kappaleessa "PYSÄYTYS" annettuja ohjeita; vedettävä virtajohto pistokkeesta ja odotettava, että generaattori jäähtyy.

Tässä kappaleessa annetut ohjeet, jotka koskevat huoltoajoja, liittyvät suoraan polttoaineen puhtauteen ja generaattorin käyttöympäristöön. Erityisesti, alla annetut ajat viittaavat tuuletettuun ja pölyttömään ympäristöön sekä puhtaan polttoaineen käyttöön.

Joka 50 käyttötunti on:

- Poistettava ja puhdistettava linjan suodatinkasetti (katso "DIESEL SUODATTIMEN PUHDISTUS").

Joka 200 käyttötunti on:

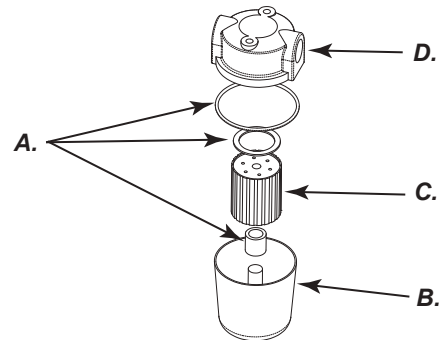
- Poistettava ja puhdistettava asianmukaisesti pumpun suodatin (katso "PUMPUN SUODATTIMEN PUHDISTUS").

Joka 300 käyttötunti on:

- Purettava poltin ja puhdistettava polttimen holkin sisältä liekki-levy ja elektrodit säätämällä tarpeen mukaan niiden etäisyyttä (katso "POLTTIMEN PUHDISTUS").

### DIESEL SUODATTIMEN PUHDISTUS

- Käännä muovilasiasia ja vedä ulos suodatinelementti (kasetti);
- Puhdista asianmukaisesti kerosiinilla.
- Paina suodatinelementti paikalleen ja käännä muovilasi polttoainesuodattimen runkoon.

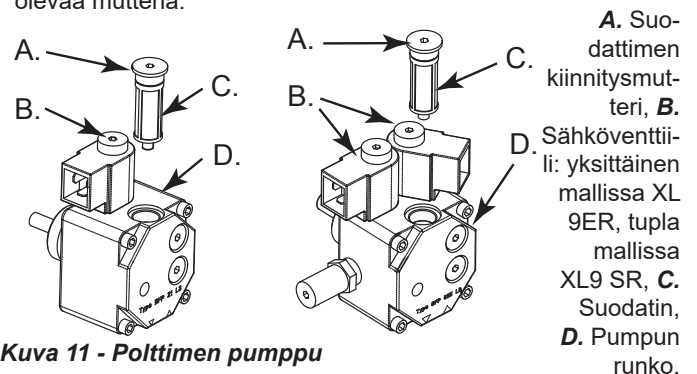


A. Tiivisteet,  
B. Lasi, C.  
Suodatinelementti, D.  
Polttoaineen  
sisääntulo/  
ulostulo-  
runko.

Kuva 10 - Suodatin

### PUMPUN SUODATTIMEN PUHDISTUS

- Poista polttimen konepelti (F Kuva 5) ja etsi polttimen pumppu (O Kuva 6).
- Käännä tarkoituksenmukaisella avaimella mutteria (A Kuva 11) joka pitää suodattimen kiinni.
- Vedä suodatin ulos (C Kuva 11) paikaltaan.
- Puhdista asianmukaisesti kerosiinilla.
- Pistä suodatin takaisin paikalleen ja kiristä pumpun rungossa olevaa mutteria.

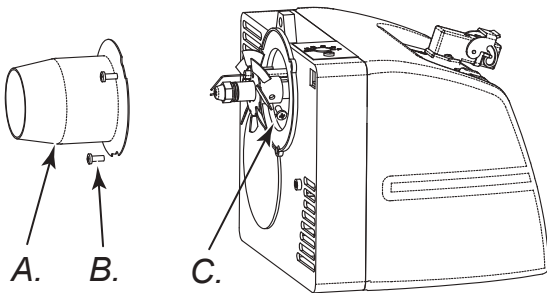


A. Suodattimen  
kiinnitysmutteri, B.  
Sähköventtiili: yksittäinen  
mallissa XL  
9ER, tupla  
mallissa  
XL9 SR, C.  
Suodatin,  
D. Pumpun  
runko.

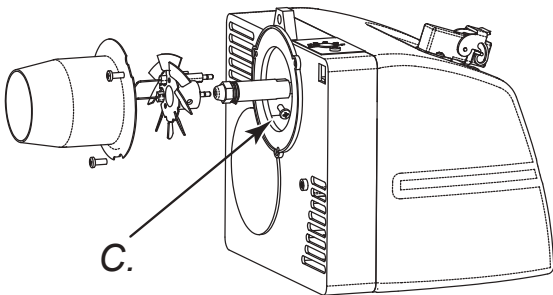
Kuva 11 - Polttimen pumppu

**POLTTIMEN PUHDISTUS**

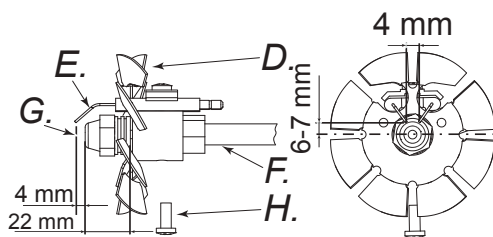
- Käännä ruuvia (H Kuva 5), joka kiinnittää polttimen polttokattilaan (A Kuva 3).
- Vedä poltin ulos polttokattilasta (katso Kuva 3).
- Avaa kolme ruuvia (B Kuva 12), jotka kiinnittävät holkin polttimeen (A Kuva 12).
- Käännä holkkia myötäpäivään katsottaessa poltinta ja vedä se ulos paikaltaan.
- Käännä ruuvia (C Kuva 12), joka kiinnittää liekki-elektrodi levy-yksikön ja vedä se ulos suuttimen kannattimesta (ks. Kuva 13).
- Puhdista liekkilevy (D Kuva 14) ja elektrodit (E Kuva 14).
- Kierrä suutin (G Kuva 14) suuttimen kannattimesta (F Kuva 14). Puhdista se ja tarvittaessa vaihda.
- Aseta suutin (G Kuva 14) takaisin paikalleen.
- Aseta liekki-elektrodi levy-yksikkö takaisin paikalleen varmistaamalla asianmukaiset etäisyydet kuten kuvassa (Kuva 14).



Kuva 12 - Holkki-poltin poisto

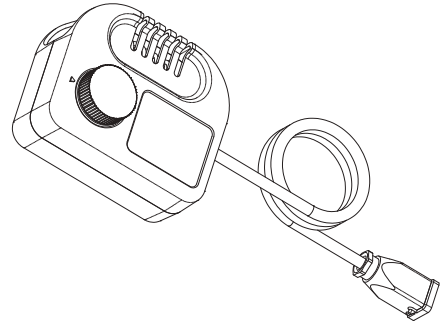
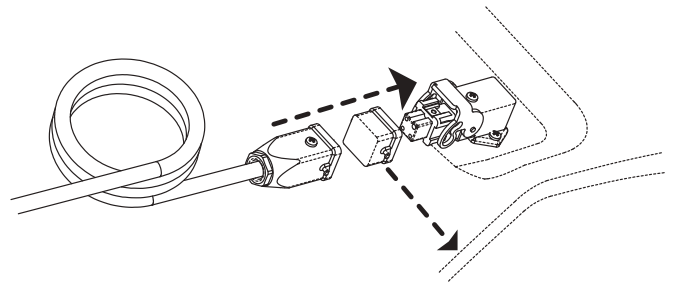


Kuva 13 - Liekki-elektrodi levy-yksikön poisto

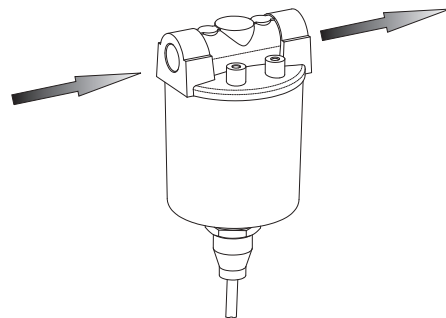
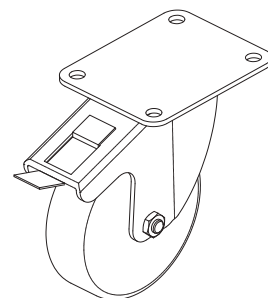


Kuva 14 - Suuttimen elektrodien etäisyydet

A. Holkki, B. Holkin ruuvi, C. Liekkilevy-yksikön ruuvi, D. Liekkilevy, E. Elektrodit, F. Suuttimenkannatin, G. Suutin, H. Ruuvi.

**LISÄVARUSTEET  
HUONETERMOSTAATTI****HUONETERMOSTAATIN LIITÄNNÄT**

**VAROITUKSIA:** Ennen ohjainlaitteen liittämisen aloittamisesta on sammutettava laite seuraamalla kappaleessa "GENERAAATTORIN SAMMUTUS" annettuja ohjeita; vedettävä virtajohto pistokkeesta ja odotettava, että generaattori jäähtyy.

**POLTTOAINEEN ESILÄMMITYKSEN SUODATIN****KÄÄNTYVÄ RENGAS JARRULLA**

## VIANMÄÄRITYS

**VAROITUS:** Ennen minkään huoltotoimenpiteen aloittamista on: sammutettava laite seuraamalla kappaleessa ”GENERAATTORIN SAMMUTUS” annettuja ohjeita; vedettävä virtajohto pistokkeesta ja odotettava, että generaattori jäähtyy.

VIKA	MAHDOLLINEN SYY	RATKAISU
Laite lukittuu sytytyksessä. Painike RESET (D Kuva 3 tai D Kuva 5) palaa	<ol style="list-style-type: none"> <li>1. Valovastuksen virtapiiri viallinen tai valovastus likainen savusta</li> <li>2. Polttoainesuodatin likainen</li> <li>3. Sytytinkontrollilaitteen virtapiiri viallinen</li> <li>4. Liekkilevy tai holkki likaisia (Kuva 12,13 ja 14)</li> </ol>	<ol style="list-style-type: none"> <li>1. Puhdista tai vaihda valovastus</li> <li>2. Poista suodatin ja puhdista se</li> <li>3. Vaihda sytytinkontrollilaitte</li> <li>4. Puhdista</li> </ol>
Laite lukkiutuu polttoainetta syöttäessä, kun liekkiä ei synny. Painike RESET (D Kuva 3 tai D Kuva 5) palaa	<ol style="list-style-type: none"> <li>1. Sähkölaitteisto ei toimiva</li> <li>2. Muuntaja (M Kuva 4) viallinen</li> <li>3. Muuntajan johtojen maadoitusongelma</li> <li>4. Elektrodien päät eivät ole oikealla etäisyydellä</li> <li>5. Maadoitusongelma, koska elektrodit likaisia tai eriste vaurioitunut</li> </ol>	<ol style="list-style-type: none"> <li>1. Tarkista koko sähkölaitteisto</li> <li>2. Vaihda</li> <li>3. Vaihda</li> <li>4. Aseta ne edellä määritettyyn asentoon (ks. Kuva 14)</li> <li>5. Puhdista se ja tarvittaessa vaihda.</li> </ol>
Laite jumiutuu eikä ruiskuta polttoainetta Painike RESET (D Kuva 3 ja 5)	<ol style="list-style-type: none"> <li>1. Valovastus näkee voimakkaan valolähteen</li> <li>2. Moottorista puuttuu yksi vaihe</li> <li>3. Polttoaine ei saavu pumppuun</li> <li>4. Säiliössä ei polttoainetta</li> <li>5. Suutin tukossa</li> </ol>	<ol style="list-style-type: none"> <li>1. Aseta laite niin, että vältetään valon pääsy etusuojaan</li> <li>2. Tarkista virtajohtot</li> <li>3. Tarkasta polttoaineen lähettimen putket (D Kuva 3)</li> <li>4. Täytä tankki</li> <li>5. Pura, puhdista ja vaihda tarvittaessa</li> </ol>
Poltin ei käynnisty	<ol style="list-style-type: none"> <li>1. Ohjainlaite (huonetermostaatti tai ajastin)</li> <li>2. Valovastus (T Kuva 6) lyhyellä virtapiirillä</li> <li>3. Jännitevika pääkatkaisijassa tai kontaktorin korkeajännite lauennut tai jännitevika verkkovirrassa.</li> <li>4. Ohjauslaitteen (termostaatti tai ajastin) asennusta ei ole tehty oikein</li> <li>5. Vika liekintarkkailulaitteen sisällä</li> <li>6. Sulake palanut</li> </ol>	<ol style="list-style-type: none"> <li>1. Säädä ohjainlaite</li> <li>2. Vaihda valovastus</li> <li>3. Sulje katkaisijat tai odota virran palaamista</li> <li>4. Tarkista asennus ”HUONETERMOSTAATIN LIITÄNNÄT” kuvauksesta</li> <li>5. Vaihda</li> <li>6. Aukaise konepelti (F Kuva 5) ja vaihda</li> </ol>
Ei selvää liekkiä ja paha haju, mustaa savua ja liekkejä tulee ulos etusuojasta	<ol style="list-style-type: none"> <li>1. Ruiskuttamisen paine alhainen</li> <li>2. Liian vähäinen hapettuminen</li> <li>3. Suutin tukossa, koska likainen tai kulunut</li> <li>4. Vettä polttoaineen seassa Huonolaatuinen polttoaine</li> <li>5. Säiliön polttoaine loppumassa</li> </ol>	<ol style="list-style-type: none"> <li>1. Palauta määritettyyn määrään</li> <li>2. Lisää palamisilmaa</li> <li>3. Puhdista tai vaihda suutin</li> <li>4. Tyhjennä polttoaine siihen tarkoitettu tyhjennysaukosta (M Kuva 4)</li> <li>5. Tankkaa polttoainetta</li> </ol>

## INNHOOLD

1. PRODUKTBEKRIVELSE
1. UTPAKKING OG EMBALLASJE
2. SIKKERHETSINFORMASJON
3. PRODUKTIDENTIFIKASJON
4. BRENNSTOFF
4. FUNKSJONSPRINSIPP
4. IGANGSETTING
4. SIKKERHETSANORDNINGER
4. TRANSPORT OG HÅNDTERING
5. PROGRAM FOR FOREBYGGENDE VEDLIKEHOLD
6. TILLEGGSTUTSTYR
7. FEILFINNING

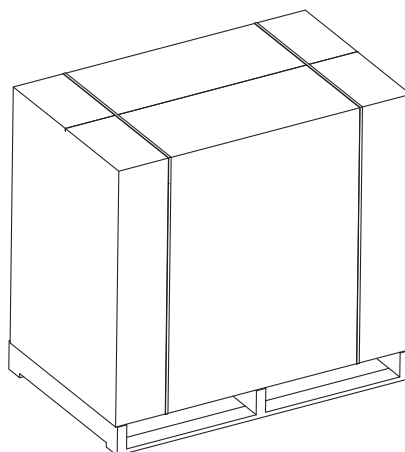
## PRODUKTBEKRIVELSE

XL 9 er en stråleovn. Stråleteknologien ønsker å følge det samme fysiske prinsippet som ligger til grunn for oppvarming fra sollys. Solen varmer uten en varm luftstrøm, men med strålebølger. Strålesystemet har fått god mottakelse av profesjonelle kunder, da denne teknologien gir mange fordeler. XL 9 er utformet på grunnlag av det fysiske prinsippet nevnt over og er derfor et spesielt varmeapparat som er uunnværlig hvis man ønsker en homogen og ensartet varmekilde som er egnet for oppvarming, tørking og tining. I tillegg, tillater den stillestående driften å arbeide uten bakgrunnstøy som vanligvis forårsakes av andre varmeapparater. Ovnens er utstyrt med gummihjul, og kan lett flyttes fra et rom til et annet. Den kan også løftes og flyttes mellom flere etasjer ved bruk av ringboltene. Ovnens store autonomi, sammen med mulighet for automatisk drift med termostat, gir operatøren maksimal frihet for bruk. En ekstern indikator for kontroll av drivstoff i tanken tillater rask sjekk om det eventuelt er nødvendig med påfylling. Muligheten for to effekttrinn i versjon SR, gir en bedre utnyttelse av maskinen i ulike bruksforhold og årstider.

## UTPAKKING OG EMBALLASJE

### UTPAKKING

- Fjern stroppene brukt til innpakking av apparatet (Fig. 1).
- Åpne emballasjen fra oversiden.
- Fjern pappen fra oversiden.
- Fjern stroppene som fester ovnen til pallen (Fig. 2).
- Ta ovnen forsiktig ned fra pallen.
- Kast stråleovnens emballasje iht. landets gjeldene regelverk.
- Kontroller ovnen for eventuelle skader oppstått under transport. Hvis ovnen er skadet, gi umiddelbart beskjed til forhandleren hvor ovnen er kjøpt.

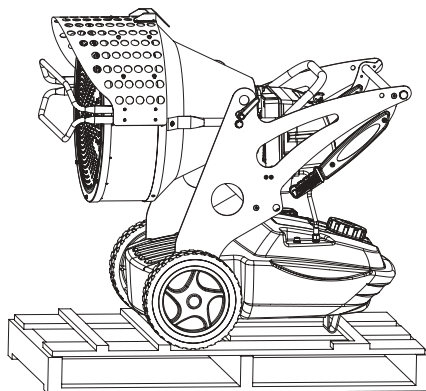


FIGUR 1 - Emballasje

### EMBALLASJE OG OPPBEVARING

Dersom varmeovnen skal lagres, har skader som har oppstått under transport eller dersom den skal repareres, gjør følgende:

- Kontroller at maskinen ikke er skadet, spesielt at den ikke lekker brennstoff. Hvis den har lekkasje, tøm tanken for brennstoff.
- Sett ovnen på den samme pallen den kom på (ved lagring) eller på en egnet pall for retur (europall merket EPA).
- Fest stråleovnen godt til pallen (Fig. 2).
- Plasser, når det er mulig, pappemballasjen over pallen og fest med egnet materiale (Fig. 1).
- Oppbevar stråleovnen på et egnet og tørt sted, og sett ikke flere enn to ovner oppå hverandre. Send stråleovnen som vist på Fig. 1 eller i minste fall som på Fig. 2.



Figur 2 - På pall

## SIKKERHETSINFORMASJON

### ADVARSEL



**VIKTIG:** Denne luftvarmeren er designet for mobile og midlertidige profesjonelle applikasjoner. Den er ikke beregnet for husholdningsbruk eller oppvarming av personer.

**VIKTIG:** les denne bruksanvisningen grundig før montering, igangsetting eller vedlikehold av stråleovnen utføres. Feil bruk av stråleovnen kan føre til alvorlige eller dødelige skader på grunn av forbrenning, brann, eksplosjon, elektrisk støt eller karbonmonoksidforgiftning.

**FARE:** Karbonmonoksidforgiftning kan være dødelig.

**Karbonmonoksidforgiftning** - På et tidlig stadium ligner symptomene på karbonmonoksidforgiftning på influensa, med hodepine, svimmelhet og/eller kvalme. Symptomene kan skyldes en feilaktig funksjon av ovnen. **Gå ut i frisk luft så raskt som mulig.** Få varmeovnen reparert. Sørg for at alle advarsler leses og forstås. Ta vare på denne manualen for fremtidig bruk: den er en veiledning for sikker og riktig bruk av varmeovnen.

Bruk kun parafin eller dieselolje for å unngå brann- eller eksplosjonsfare. Bruk aldri bensin, nafta, malingsfortynner, alkohol eller andre brannfarlige brennstoff.

• Påfylling:

- Personer som fyller brennstoff må være kvalifiserte og ha grundig kjennskap til instruksjonene fra produsenten, samt aktuelle retningslinjer for påfylling av brennstoff i varmeovnene.
- Bruk kun brennstoff av den type som angitt på varmeovnens merkeskilt.
- Før fylling utføres, slukk alle flammer og vent til varmeovnen avkjøles.
- Under påfylling skal alle brennstoffslanger og koblinger kontrolleres for lekkasjer. Eventuelle lekkasjer skal repareres før varmeovnen settes i drift.
- Det må aldri oppbevares mer enn en dagsforsyning brennstoff i nærheten av varmeovnen inne i en bygning. Brennstofftankene må oppbevares på et annet sted.
- Alle brennstofftanker skal plasseres i en minimums sikkerhetsavstand (iht. gjeldende normer) fra varmeapparater, svei-seutstyr og andre lett antennelige kilder (med unntak av drivstofftanken som er innebygd i varmeovnen).
- Brennstoffet skal oppbevares på steder der væsken ikke kan trenge gjennom gulvet eller bli antent av en brann i underetasjen.
- Brennstoff skal oppbevares iht. gjeldende regelverk.

• Bruk aldri stråleovnen i rom hvor det finnes bensin, malingsfortynner eller andre svært brannfarlige gasser eller høy støvkoncentrasjon.

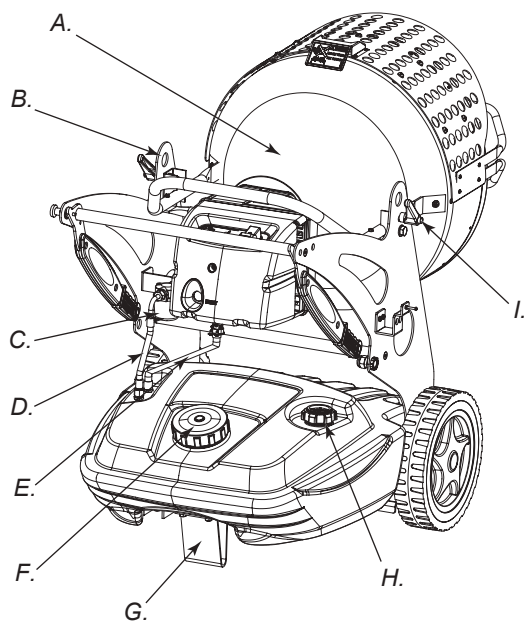
• Følg alle lokale vedtekter og gjeldende regelverk ved bruk av varmeovnen.

• Ovner som brukes i nærheten av presenninger, gardiner eller andre lignende dekkematerialer, må plasseres i sikker avstand fra disse. Minimum sikkerhetsavstand er den som anbefales av regelverket i landet hvor apparatet brukes.

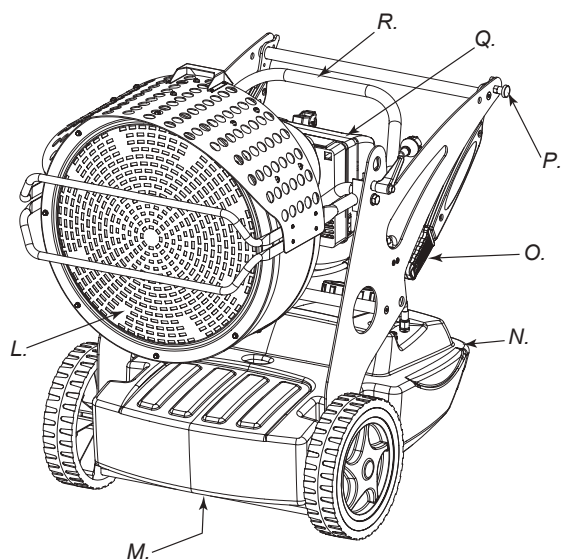
Det anbefales også at disse er laget av brannsikkert materiale. Disse materialene må festes godt, slik at man unngår at de tar fyr eller kommer i kontakt med varmeovnen på grunn av vinden.

- Ovnen må kun brukes på godt ventilerte steder. Før bruk må man sørge for at det finnes en åpning eller egnet utskiftning av luften iht. regelverket i landet hvor ovnen brukes og med formål å føre inn frisk luft fra utsiden.
- Forsyn stråleovnen kun med den spenning og frekvens som er angitt på merkeskiltet.
- Bruk kun skjøteledning med tre ledninger og som er jordet.
- Hold en sikkerhetsavstand mellom stråleovnen og brennstoffet iht. landets gjeldende regelverk.
- Sett varmeovnen på en jevn og stabil overflate når den er varm eller i bruk.
- Når varmeovnen skal flyttes eller settes til oppbevaring, sørg for at den flyttes i horisontal stilling for å unngå brennstoffsøl.
- Barn og dyr må holdes borte fra varmeapparatet.
- Ta ut stikkkontakten når ovnen ikke er i bruk.
- Når ovnen kontrolleres av en termostat kan den starte når som helst.
- Bruk aldri ovnen i rom hvor personer oppholder seg til daglig.
- Man må aldri tilstoppe inn- eller uttaket for luft.
- Varmeovnen må aldri flyttes, håndteres, påfylles brennstoff eller utføres vedlikehold på dersom den er varm, i bruk eller kontakten står i.
- Røyken som kommer ut ved første forbrenning skyldes fordampning av organisk materiale (keramikk) som finnes i forbrenningskammeret og rusthindrende olje på overflaten av brennerens deler. Denne røyken vil forsvinne etter noen minutter.
- Ovnen kan brukes i rom med en temperatur mellom  $-30^{\circ}\text{C}$  og  $+40^{\circ}\text{C}$ .

## PRODUKTIDENTIFIKASJON

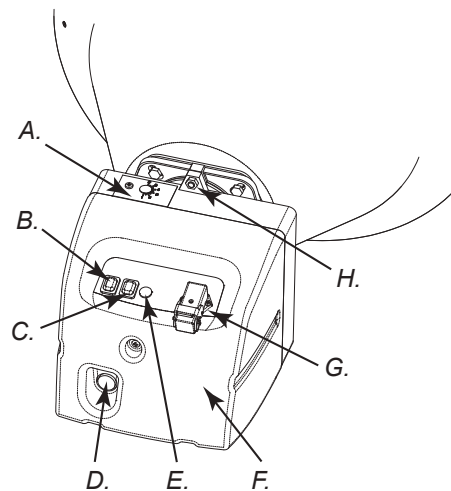


Figur 3

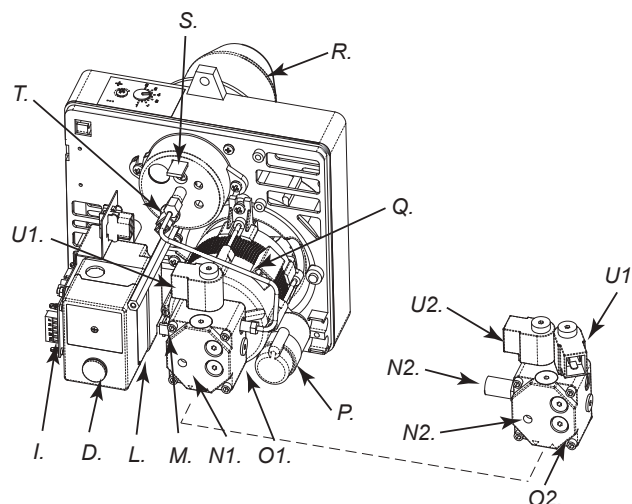


Figur 4

**A.** Brennkammer, **B.** Hull for løfting av ovnen, **C.** Brennstoffilter eller forvarmingsfilter (ekstraustyr), **D.** Brennstofftilførsel, **E.** Retur brennstoff, **F.** Fyllplugg brennstoff, **G.** For eller hjul (tilleggsutstyr), **H.** Nivåindikator brennstoff, **I.** Blokkeringskrue brennstoffenhet, **L.** Deflektor, **M.** Tappeplugg tank, **N.** Brennstofftank, **O.** Håndtak for transport av ovn, **P.** Stift for å låse håndtak, **Q.** Brenner, **R.** Stort håndtak for rotasjon avforbrenningskammeret



Figur 5 - Kontroller



Figur 6 - Brennerens komponenter

**A.** Luftinnstilling, **B.** ON/OFF-bryter, **C.** ON/OFF-bryter andre styrke (XL 9SR), **D.** RESET-knapp, **E.** Spenningslampe, **F.** Deksel på brenner, **G.** Kontakt for romtemostat, **H.** Skruer for feste av brenner, **I.** Utstyr for etterventilasjon, **L.** Utstyr for flammekontroll, **M.** Transformator, **N1.** Justering pumpetrykk (XL 9ER), **N2.** Justering pumpetrykk (XL 9SR), **O1.** Pumpe brennstoff (XL 9ER), **O2.** Pumpe brennstoff (XL 9SR), **P.** Kondensator, **Q.** Motor, **R.** Rør brenner, **S.** Justering av forbrenningshodet, **T.** Fotomotstand, **U1.** Magnetventil til 1. flammetrinn (XL 9ER-SR), **U2.** Magnetventil til 2. flammetrinn (XL 9SR)

## BRENNSTOFF

**VÆR OPPMERKSOM: Varmeovnen fungerer UTELUKKENDE med parafin eller dieselolje.**

Bruk av urent brennstoff kan medføre:

- Tilstopping av brennstofffilteret og dysen.
- Kullavleiringer på elektrodene.

Ved lave temperaturer, bruk frostvæske som ikke er giftig.

## FUNKSJONSPRINSIPP

Luften, som er nødvendig for å sikre en korrekt forbrenning, produseres ved at en vifte inni brenneren roterer. Luftstrømmingen kommer ut av brennerens rør og blandes med brennstoffet som forstøves av en dyse ved høyt trykk. Brennstoff som forstøves av dysen leveres av en roterende pumpe som suger inn brennstoffet fra tanken og sender det med høyt trykk til dysen for forstøvning.

## IGANGSETTING

**ADVARSLER: Før varmeovnen settes i drift, og før den kobles til strømmettet, kontroller at strømmettets egenskaper tilsvarer det som er angitt på varmeovnens merkeskilt.**

### SLÅ PÅ VARMEOVNEN

1. Følg alle sikkerhetsinstruksjonene.
2. Fyll tanken med brennstoff.
3. Lukk tankens plugg.
4. Sett støpselet i stikkontakten som må være jordet og ha en spenning lik den som er angitt på apparatets merkeskilt.

### SLÅ PÅ UTEN ROMTERMOSTAT


#### • XL 9ER

Sett bryteren (B Fig. 5) på ON (I). Forhåndsventilasjonen starter og etter cirka 10 sekunder starter forbrenningen.

#### • XL 9SR

**ADVARSEL: Før varmeovnen startes må man forsikre seg om at bryteren (C Fig. 5) er i posisjon .**

Sett bryteren (B Fig. 5) på ON Forhåndsventilasjonen starter og etter cirka 10 sekunder starter forbrenningen.

Hvis man ønsker maks styrke, sett bryteren (C Fig. 5) i posisjon .

### SLÅ PÅ MED ROMTERMOSTAT

Still romtermostaten eller kontrollenheten (for eksempel en timer), hvis tilkoblet, slik at den kan fungere.

**VÆR OPPMERKSOM: Varmeovnen kan UTELUKKENDE fungere i automatisk modus når en kontrollenhet, som for eksempel en romtermostat eller en timer er tilkoblet varmeovnen. For tilkobling av kontrollenheten til apparatet, se paragraf "ELEKTRISK SKJEMA".**

Ved første igangsetting eller etter en komplett tømning av dieseloljekretsen, kan dieseloljestrømmingen til dysen være utilstrekkelig og forårsake at sikkerhetsanordningen til flammekontrollen utløses (se paragraf "SIKKERHETSANORDNING") og stopper varmeovnen. I dette tilfelle, etter å ha ventet i cirka 1 minutt, trykk på Resetknappen (D Fig. 5 og 6) start apparatet på nytt.

I tilfelle funksjonssvikt, må man først gjøre følgende:

1. Kontroller at tanken (N Fig. 4) fremdeles inneholder dieselolje;
  2. Trykk på reser-knappen (D Fig. 5 eller 6).
- Hvis ovnen ikke virker etter at dette er utført, henviser vi til paragrafen "FEILSØK" for å finne årsaken til funksjonssvikt.

**VÆR OPPMERKSOM: Før den andre igangsetting (med stråleovnen av og avkjølt), kontroller at skruene som låser deflektor foran er godt strammet (L Fig. 4)**

**ADVARSEL: Stråleovnens elektriske forsyningslinje skal være utstyrt med jordforbindelse og med en magnetotermisk differensialbryter. Stråleovnens støpselet må være koblet til en kontakt med effektbryter.**

### SLÅ AV VARMEOVN

Sett bryteren (B Fig. 5) på OFF (O) eller bruk romtermostaten eller kontrollanordningen (timer) hvis tilkoblet, ved å innstille på egnet vis. Flammen slukkes og ventilasjonen fortsetter inntil etterventilasjonen er utført (avkjøling).

**ADVARSEL: Før støpselet trekkes ut av kontakten, vent til syklus for etteravkjøling avsluttes (avkjøling på cirka 3 min).**

## SIKKERHETSANORDNINGER

Varmeovnen er utstyrt med et sikkerhetsanordning (L Fig. 6) for kontroll av flammen. Hvis det oppstår en eller flere uregelmessigheter under drift, vil anordningen blokkere brenneren og RESET-knappen begynner å lyse (D Fig. 5 eller 6).

Varmeovnen er utstyrt med et apparat for etterventilasjon. Dette apparatet tillater en optimal og automatiskavkjøling av brennkammeret i cirka 3 minutter.

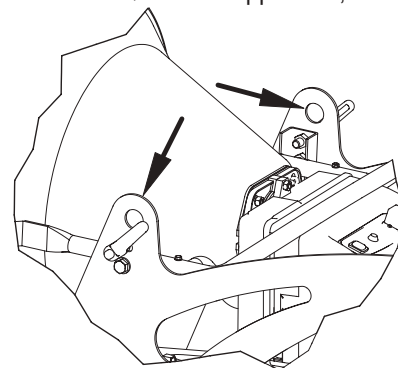
Før varmeovnen startes på nytt, må årsaken som har medført blokkeringen finnes og rettes.

## TRANSPORT OG HÅNDTERING

**ADVARSEL: Før ovnen løftes eller flyttes må man forsikre seg om at tankens plugg (F og H Fig. 3) er skikkelig lukket.**

### TRASPORT

Ovnen kan lett flyttes fra et rom til et annet. Den kan også løftes og flyttes mellom flere etasjer ved bruk av ringboltene (B Fig. 3 eller 7). Det er derfor mulig å spenne fast ovnen og løfte den for å plassere den der man ønsker å oppvarme, tine og tørke.

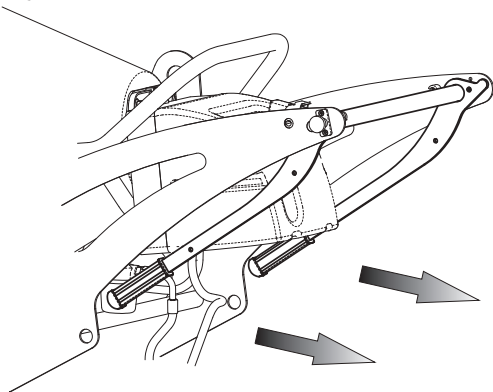


Figur 7 - Festeboltene

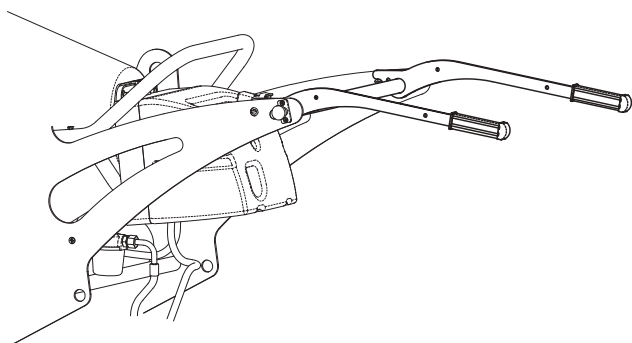


**HÅNDBTERING**

Varmeovnen kan leveres med svinghjul (G Fig. 3). I dette tilfellet, hvis underlaget tillater det, skyv ovnen som en vogn. Hvis apparatet ikke er utstyrt med svinghjul, skal stiften (P Fig. 4) som finnes på en av ovnens sidestenger frakobles. Sett håndtakene ned i »hvileposisjon« (Fig. 8). Vri håndtakene til "håndteringsposisjon" (Fig. 9). Løft varmeovnen og flytt den ved å la den gli på hjulene foran.



Figur 8 - Posisjon håndtak lukket



Figur 9 - Posisjon håndtak åpne

**ADVARSEL:** Før apparatet flyttes må man: stanse ovnen iht. instruksjonene i paragraf "SLÅ AV VARMEOVN"; koble fra strømtilførselen ved å trekke støpselet ut av stikkontakten og vente til ovnen avkjøles.

## PROGRAM FOR FOREBYGGENDE VEDLIKEHOLD

**ADVARSEL:** Før man tar til med en hver form for vedlikehold må man: stoppe maskinen iht. indikasjonene i paragraf "STANS"; koble fra strømtilførselen ved å trekke støpselet ut av kontakten og vente til ovnen avkjøles.

Instruksjonene i denne paragrafen, som gjelder vedlikehold-sintervall, avhenger også i stor grad av brennstoffets renhet og omgivelsene hvor varmeovnen anvendes. Intervallene under henviser til ventilerte arbeidsomgivelser med lite støv og bruk av rent brennstoff.

Hver 50 driftstimer må man:

- Demontere filterpatronen på linjen (se "RENGJØRING DIESELOLJEFILTER") trekk det ut og rengjør.

Hver 200 driftstimer må man:

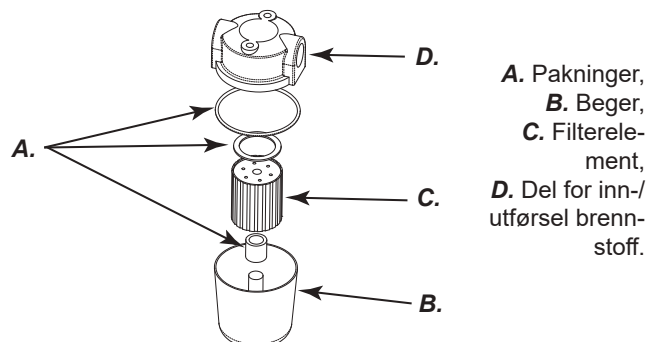
- Demontere pumpens filter og rengjøre grundig (se "RENGJØRING PUMPEFILTER").

Hver 300 driftstimer må man:

- Demontere brenneren og rengjør flammeplaten som er inni brennerens rør og elektrodene, ved å justere avstanden om nødvendig (se "RENGJØRING AV BRENNER").

**RENGJØRING DIESELOLJEFILTER**

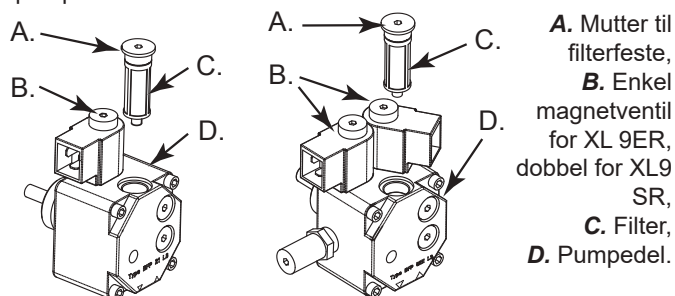
- Skru av plastbegeret og trekk ut filterelementet (patron);
- Rengjør nøye med parafin.
- Sett filterelementet tilbake i posisjon og skru plastbegeret fast til brennstofffilterets faste del.



Figur 10 - Filter

**RENGJØRING PUMPEFILTER**

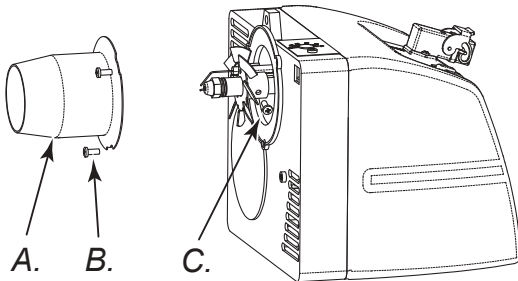
- Demonter brennerens deksel (F Fig. 5) og finn brennerens pumpe (O Fig. 6).
- Skru løs mutteren med nøkkelen (A Fig. 11) som fester fast filteret.
- Trekk filteret (C Fig. 11) ut av posisjon.
- Rengjør nøye med parafin.
- Sett filteret i tilhørende posisjon og skru mutteren fast på pumpedelen.



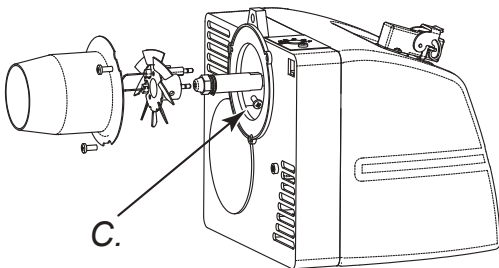
Figur 11 - Brennerpumpe

## RENGJØRING AV BRENNER

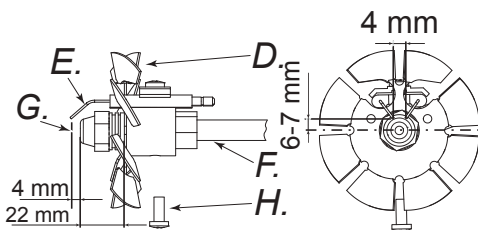
- Skru løs skruen (H Fig. 5) som fester brenneren til brennkammeret (A Fig. 3).
- Trekk brenneren ut av brennkammeret (se Fig. 3).
- Skru løs de tre skruene (B Fig. 12) som fester brennerens rør (A Fig. 12).
- Vri røret i klokkeretning ved å se på brenneren og trekk det ut av posisjon.
- Skru løs skruen (C Fig. 12) som fester enheten flammeplate-elektroder og trekk dem ut av dyseholderen (se Fig. 13).
- Rengjør flammeplaten (D Fig. 14) og elektrodene (E Fig. 14).
- Skru dysen (G Fig. 14) av dyseholderen (F Fig. 14). Rengjør den og om nødvendig skift en ut.
- Sett dysen (G Fig. 14) tilbake i posisjon.
- Sett på plass enheten flammeplate-elektroder og sørg for å overholde avstandene som angitt i illustrasjonen (Fig. 14).



Figur 12 - Demontering rør-brenner



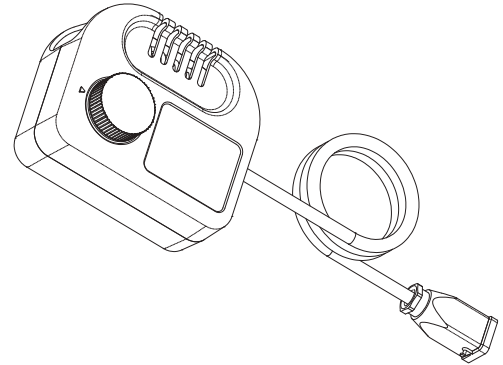
Figur 13 - Demontering enhet flammeplate-elektroder



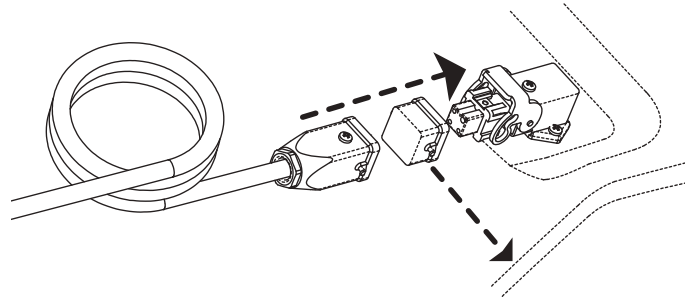
Figur 14 - Avstander elektroder dyse

A. Rør, B. Skruer rør, C. Skruer enhet flammeplate, D. Flammeplate, E. Elektroder, F. Dyseholder, G. dyse, H. Skruer.

## TILLEGGSSUTSTYR ROMTERMOSTAT

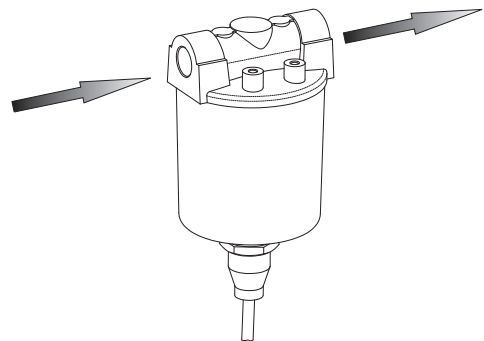


### KOBLING TIL ROMTERMOSTAT

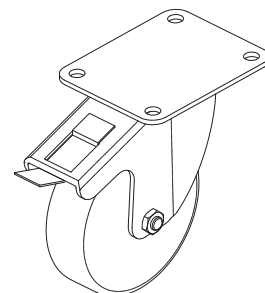


**ADVARSLER:** Før man starter tilkobling av kontrollanordningen må man: stoppe maskinen iht. indikasjonene i paragraf "SLÅ AV VARMEOVN"; koble fra strømtilførselen ved å trekke støpselet ut av kontakten og vente til ovnen avkjøles.

### FILTER FORVARMING BRENNSTOFF



### SVINGHJUL MED BREMS



## FEILSØK

**ADVARSEL:** Før man tar til med en hver form for vedlikehold må man: stoppe maskinen iht. indikasjonene i paragraf "SLÅ AV VARMEOVN"; koble fra strømtilførselen ved å trekke støpselet ut av kontakten og vente til ovnen avkjøles.

FEIL	MULIG ÅRSAK	LØSNING
Ovnen blokkeres med antent flamme. RESET-knapp (D Fig. 5 eller D Fig. 6) på	<ol style="list-style-type: none"> <li>1. Kretsen til fotomotstand er skadet eller fotomotstand er skitten av røyk</li> <li>2. Skittent brennstoffilter</li> <li>3. Kretsen for enheten for flammekontroll er skadet</li> <li>4. Skitten flammeplate eller rør (Fig. 12, 13 og 14)</li> </ol>	<ol style="list-style-type: none"> <li>1. Rengjør eller bytt ut fotomotstanden</li> <li>2. Demonter filter og rengjør det</li> <li>3. Bytt ut utstyret for flammekontroll</li> <li>4. Rengjør</li> </ol>
Apparatet blokkeres og spruter brennstoff uten at flammen oppstår. RESET-knapp (D Fig. 5 eller D Fig. 6) lyser	<ol style="list-style-type: none"> <li>1. Det elektriske anlegget er ikke egnet</li> <li>2. Transformator (M Fig. 6) skadet</li> <li>3. Transformatorens ledninger forårsaker jordingsfeil</li> <li>4. Tuppene på elektrodene er ikke i riktig avstand</li> <li>5. Elektrodene forårsaker jordingsfeil fordi de er skitne eller isolasjonsmaterialet er skadet</li> </ol>	<ol style="list-style-type: none"> <li>1. Kontroller hele det elektriske anlegget</li> <li>2. Bytte</li> <li>3. Bytte</li> <li>4. Still dem tilbake til anbefalt posisjon (se Fig. 14)</li> <li>5. Rengjør og bytt ut om nødvendig</li> </ol>
Ovnen blokkeres uten å sprøyte brennstoff. RESET-knapp (D Fig. 5 og 6)	<ol style="list-style-type: none"> <li>1. Fotomotstanden ser en sterk lyskilde</li> <li>2. Motoren mangler en fase</li> <li>3. Brennstoffet kommer ikke til pumpen</li> <li>4. Brennstoff mangler i tanken</li> <li>5. Dyse tilstoppet</li> </ol>	<ol style="list-style-type: none"> <li>1. Plasser ovnen ved å unngå lyskilde på deflektoren foran</li> <li>2. Kontroller strømforsyningslinjen</li> <li>3. Kontroller tilførselsrør (D Fig. 3)</li> <li>4. Utfør påfylling</li> <li>5. Demonter og rengjør og bytt ut om nødvendig</li> </ol>
Brenneren starter ikke	<ol style="list-style-type: none"> <li>1. Kontrollanordning (romtermostat eller timer)</li> <li>2. Fotomotstand (T Fig. 6) kortslutning</li> <li>3. Strømmangel p.g.a. bryter frakoblet eller hovedbryter frakoblet p.g.a. spenningsmangel på linjen</li> <li>4. Installasjon av kontrollanordning (romtermostat eller timer) er ikke korrekt</li> <li>5. Innvendig feil på utstyr for flammekontroll</li> <li>6. Røket sikring</li> </ol>	<ol style="list-style-type: none"> <li>1. Juster kontrollanordningen</li> <li>2. Bytt ut fotomotstanden</li> <li>3. Slå av bryterne eller vent til strømmen kommer tilbake</li> <li>4. Kontroller installasjonen i følge beskrivelsen "TILKOBLING AV ROMTERMOSTATEN"</li> <li>5. Bytt ut</li> <li>6. Åpne dekselet (F Fig. 5) og bytt ut</li> </ol>
Flammen blafrer med dårlig lukt, sort røyk og flammer som kommer ut av deflektor foran	<ol style="list-style-type: none"> <li>1. Forstøvningstrykket er lavt</li> <li>2. Utilstrekkelig forbrenningsluft</li> <li>3. Tilstoppet dyse p.g.a. skitten eller utslitt</li> <li>4. Vann i brennstoffet. Brennstoff av dårlig kvalitet</li> <li>5. Tanken er nesten tom for brennstoff</li> </ol>	<ol style="list-style-type: none"> <li>1. Fyll opp til angitt verdi</li> <li>2. Øke forbrenningsluften</li> <li>3. Rengjør eller bytt ut dysen</li> <li>4. Tøm brennstoffet gjennom dreneringspluggen (M Fig. 4)</li> <li>5. Fyll på brennstoff</li> </ol>

## КӨРСЕТКІШ

1. ӨНІМНІҢ СИПАТТАМАСЫ
1. ҚОРАПТАН ШЫҒАРУ МЕН САҚТАУ
2. ҚАУІПСІЗ ҚЫЗМЕТ КӨРСЕТУ ТАҚЫРЫБЫНА АРНАЛҒАН
3. ӨНІМДІ ИДЕНТИФИКАЦИЯЛАУ
4. ЖАНАРМАЙ
4. ЖҰМЫС ТЕОРИЯ
4. ПАЙДАЛАНУ ЖӨНІНДЕГІ НҰСҚАУЛЫҚ
4. САҚТАНДЫРҒЫШ ҚҰРАЛДАР
5. ОРЫН АУЫСТЫРУ МЕН ТАСЫМАЛДАУ
5. ТЕХНИКАЛЫҚ ҚЫЗМЕТ КӨРСЕТУ КЕСТЕСІ
6. АКСЕССУАРЛАР
7. АҚАУЛАР ЖӘНЕ ОЛАРДЫҢ МҮМКІН СЕБЕПТЕРІ

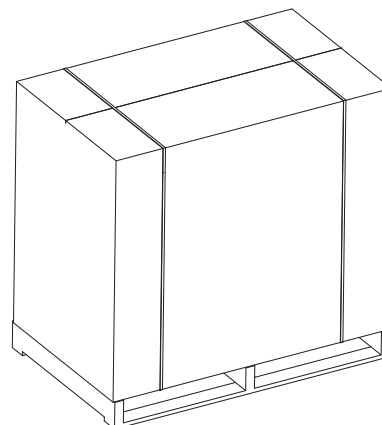
## ӨНІМНІҢ СИПАТТАМАСЫ

XL9 сәулелену жолымен жұмыс істейтін жылу генераторы болып табылады. Инфрақызыл сәулелену технологиясы күн энергиясының жылуы сияқты физикалық негізде негізделген. Күн жылуды сәулелену толқынының көмегімен, ауа ағынын пайдаланбай денелерді жылытады. Сансыз артықшылықтар көмегімен инфрақызыл сәулелену әдісі профессионал пайдаланушылар арасында өте белгілі. XL9 жылытқышы осы физикалық принциптер негізінде жобаланған және жылыту, еріту және кептіру мақсаттарында үнемі жылу көздерін талап ететін шарттардағы таптырмайтын қондырғы болып табылады. Осыған қосымша, әр түрлі жұмыстарды орындау кезінде, шудың өте төмен деңгейіне байланысты, пайдалануға болады. Генератордың резеңке дөңгелектерінің арқасында оңай орнын ауыстыруға болады, ал реттегіш болттар көмегімен құралды көтеріп, қажетті биіктікке орналастыруға болады. Оның тәуелсіздігі мен термостаттың автоматты функциясы операторға көп түрлі пайдалану аймақтарында пайдалану мүмкіндігін береді. Жанармай резервуарының сыртқа көрестікіші сұйықтықтың мөлшерін тез тексеру немесе оны толтыру қажеттілігіне мүмкіндік береді. S моделінің қосқуат құралы бар және түрлі шарттарда, кез-келген жыл мезгілінде құралды эффективті пайдалану мүмкіндігін қамтамасыздандырады.

## ҚОРАПТАН ШЫҒАРУ МЕН САҚТАУ

### ҚОРАПТАН ШЫҒАРУ

- Құралды қораптау үшін пайдаланылған сүйеуіштерді алып тастау (Сур. 1).
- Қораптың жоғарғы жағын ашу.
- Жоғарыда орнатылған картонды алып тастау.
- Жылытқышты поддонға бекітіп тұрған бекіткіштерді алып тастау (Сур. 2).
- Жылытқышты поддоннан абайлап шешу.
- Жылытқышты қораптауға арналған материалдарды осы аймақтағы әрекеттегі ұйғарымдарға сәйкес кәдеге жарату.
- Құралды тасымалдау кезінде пайда болған мүмкін ақауларға тексеру керек. Егер де ондай ақаулар бар болса, дереу құрал сатылып алынған сату орталығына хабарлау керек.

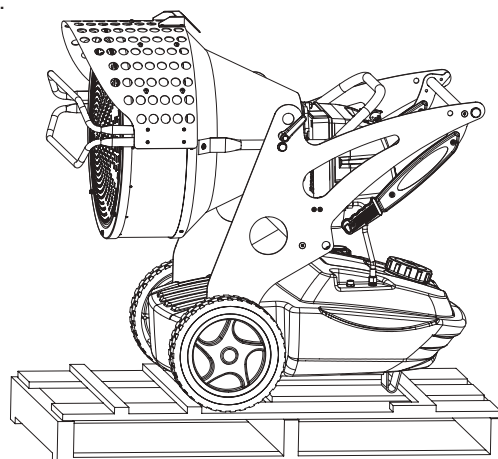


Сурет 1 - Жылытқыш қорабы

### САҚТАУ МЕН ТАСЫМАЛДАУ

Егер де генератор сақтау немесе қоймалануды талап етсе, егер де тасымалдау кезінде ақаулар белгілі болса, немесе егер де ол басқа да жөндеу жұмыстарын талап ететін болса, онда:

- Ақауларды тексеру, соның ішінде жанармайдың ағып кетуін тексеру керек. Бұл жағдайда резервуарды төгіп тастап, онда қалған сұйықтықты тәгу керек.
- Қоймалау кезінде жылытқышты қорапталған поддонға орнату керек, ал егер де оны қайтарып беру қажет болса, ЕРА фирмасының сәйкес евро поддонында орнату керек.
- Жылытқышты поддонға жақсылап бекіту керек (Сур. 2).
- Егер мүмкіндік болса, қорапты төмен поддоға дейін, сәйкес материалдармен бекітіп орнатқан жөн (Сур. 1)
- Қондырғыны құрғақ жерде, вертикаль түрде, 2 қораптан көп емес, сәйкесінше сақтау керек. Жылытқышты Сур.1 көрсетілгендей немесе Сур. 2 жетекшілікке алып жөнелту керек.



Сурет 2 - Поддонға орнатылған жылытқыш

## ҚАУІПСІЗ ҚЫЗМЕТ КӨРСЕТУ ТАҚЫРЫБЫНА АРНАЛҒАН АҚПАРАТ ВНИМАНИЕ

**⚠️ МАҢЫЗДЫ: Осы ауа жылытқыш мобильді және уақытша кәсіби қолдану үшін әзірленген. Ол үйде қолдану немесе адамның жылу жайлылығы үшін арналмаған.**

**МАҢЫЗДЫ: Инфрақызыл жылытқышты пайдалану алдында немесе оның техникалық қызметке байланысты әрекеттер орындау алдында, осы қызмет көрсету бойынша жетекшілікті мұқият оқып алған жөн. Жылытқышты дұрыс пайдаланбау ауыр дене жарақаттарына немесе күйу, өрт, жарылу, электр тогымен соғу немесе көмірқышқыл газымен улану салдарынан өлімге соқтыруы мүмкін.**

**ҚАУІП: Көмірқышқыл газымен улану өлімге соқтырады.**

**Көмірқышқылгазымен улану** - Көмірқышқыл газымен уланудың алғашқы белгілері тұмау тию көрсеткіштеріне ұқсас, бас ауыру, бас айналу және/немесе жүрек айнумен сипатталады. Бұл белгілер инфрақызыл жылытқыштың дұрыс емес әрекеттерімен пайда болуы мүмкін. **Егер де бұндай белгілер пайда болса, дереу ғимараттан таза ауаға шығу керек!** Жылытқышты жөндеуге тапсыру керек. Жылытқышты қайта қосу тек қана құралдың толық жөндеуінен кейін ғана іске асуы керек. Кейбір жағдайларда көмірқышқылдың тотығының әрекеті тым қауіпті; бұл әсіресе аяғы ауыр әйелдерге, жүрек немесе өкпе ауыруларына шалдыққан адамдарға, сонымен қатар анемия ауыруына шалдыққандарға, алкогольдің әрекетіндегі адамдар, жоғарыда жұмыс істейтін адамдарға байланысты. Жылытқышты пайдаланушы барлық ескертулерді оқып, оларды орындауы керек. Осы жетекшілікті болашақта пайдалану мақсатында қауіпсіз жерде сақтау керек: пайдаланушы инфрақызыл жылытқышқа қауіпсіз әрі дұрыс қызмет көрсетуге арналған ұсыныстарды таба алады. Өрт немесе жарылыстың пайда болуы қауіпінің алдын алу үшін жылытқышты жанармаймен толтыру үшін жылытуға арналған май немесе дизельді жанармай пайдаланған жөн. Бензин, ауыр бензин, еріткіштер немесе сыр, спирт немесе басқа да тез жанатын сұйықтықтарды пайдалануға мүлдем болмайды.

• Резервуарды толтыру:

- Резервуарды толтыруды орындайтын персонал сәйкес мамандандырылған, сонымен қатар өнеркәсіп жетекшіліктері жетік білетін және ауа жылытқыштарын қауіпсіз пайдалану бойынша әрекеттегі ұйғарымдарды жетік білуі керек.
- Тек қана жылытқыштың идентификациялық кестесінде көрсетілген жанармайды ғана пайдалану керек.
- Резервуарды толтыру алдында барлық жану көздерін өшіру керек, соның ішінде бақылаушы көзді, және жылытқышты салқындату мақсатымен қалдыру керек.
- Резервуарды толтыру кезінде барлық жанармай шлангтары мен жалғануларды герметикалық тексеріп тұру керек. Барлық тығыздықсыздар жылытқышты қайта қосу алдында жойылуы керек.
- Бір ғимаратта жылытқышпен бірге немесе оның жанында жылытқыштың бір күндік жұмысынан асатын жанармайды ешқашан сақтауға болмайды. Жанармайды сақтауға арналған резервуарлар бөлек ғимараттарда сақталуы керек.

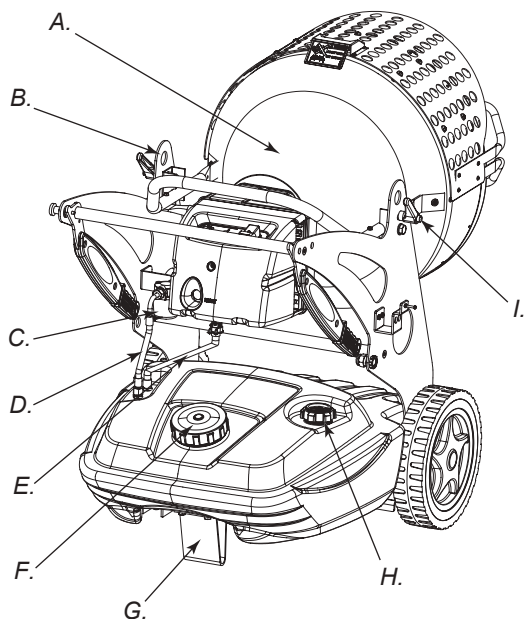
f) Барлық жанармай резервуарлары жылытқыштан кем дегенде 1 метр ара-қашықтықта орнатылуы керек, сонымен қатар газ сваркасына арналған жанғыштардан, дәнекерлеу қондырғысынан және сол сияқты жану көздерінен (жылытқыштарда орнатылған жанармай резервуарларына қатысы жоқ) алшақ орналасуы керек.

g) Жанармайды өрттің алдын алу мақсатында жанармай шлангысынан жанармайдың ағып кетуі кезінде жанармайды сінжіріп алуды болдырмайтын жерге арналған төсемелері бар ғимараттарда сақтауға болмайды.

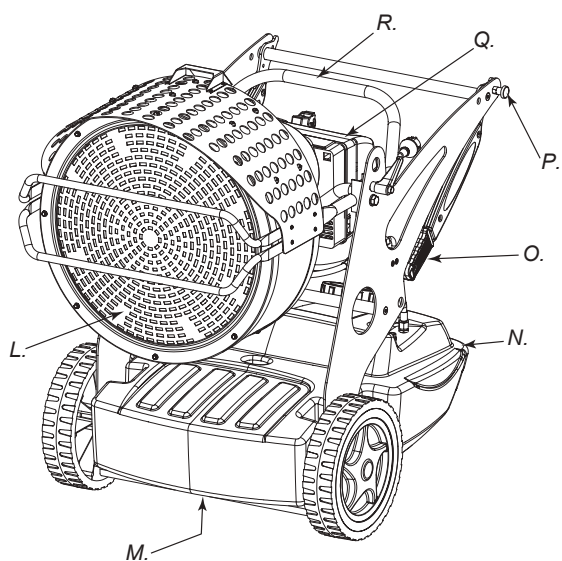
h) Барлық ғимараттар, сонымен қатар жанармайды сақтауға арналған резервуарлар әрекеттегі өзекті заңды заңнамаларға сәйкес болуы керек.

- Инфрақызыл жылытқышты ешқандай кезде бензин, сырларға арналған еріткіштер немесе басқа да тез жанатын сұйықтықтар бар ғимараттарда қолдануға болмайды.
- Жылытқышты пайдалану кезінде барлық локалды ұйғарымдар мен әрекеттегі өзекті заңнамаларды бұлжытпай орындау керек.
- Мата, занавескалар және сол сияқты материалдардың жанында қолданылатын жылытқыштар сондай материалдардан қауіпсіз ара-қашықтықта орналастыруы керек. Минималды қауіпсіз ара-қашықтықтар сәйкес ұйғарымдарда анықталған, жылытқышты пайдаланатын мемлекетте әрекет ететін. Ондай түрлі материалдар жақсылап бекітілуі керек, жел немесе желдету әсерінен жылытқышпен әсерлесуінің нәтижесінде олардың жануының алдын алу үшін.
- Жылытқыштарды тек қана жақсы желденетін ғимараттарда ғана пайдалану керек. Сәйкес тесік немесе ауа ағымын қамтамасыздандыратын қондырғы орнату керек, осы аймақта әрекет ететін ұйғарымдарға сәйкес, таза ауаны беруді қамтамасыздандыратын.
- Жылытқышты құралдың номиналды өндіруші шитоғында көрсетілген параметрлерге кернеуі мен жиілігі сәйкес келетіндей нәрлеу жүйесіне жалғау керек.
- Тек қана дұрыс жерлендірілген вилкаға қосылған үшсымды ұзартқыштарды ғана пайдалану керек.
- Минималды қауіпсіз ара қашықтыққа локалды ұйғарымдарда көрсетілген ара қашықтықты қабылдау керек.
- Жылытқышты ол қызып кеткен соң немесе қондырғының жұмыс істеп тұрған уақытында жылытқыш орнатылған орын тұрақты және горизонталь болып тұратындай етіп орналастыру керек. Бұл өртті болдырмаудың маңызды фактор.
- Орын ауыстыру немесе қоймалау кезінде жылытқышты горизонталь қалпында, жанармайдың ағып кетуінің алдын алу үшін, сақтау керектігін естен шығармаған жөн.
- Жылытқыштың жанына балалар немесе жануарлардың жақындауына жол бермеңіз.
- Қолданылмайтын жылытқышты электр желісінің жүйесінен ажыратып тастаңыз.
- Жылытқыштың басқа механизм немесе құрал көмегімен басқарылатын естен шығармаңыз (мысалы, термостат немесе уақытты реттегі) және кез-келген уақытта өшіп қалатынын естен шығармаңыз.
- Жылытқышты тұрғын үйлерде ешқашан орнатуға болмайды.
- Ауаның кіру және шығу тетіктерін жабуға немесе блоктауға болмайды.
- Қызған, электр желісінің жүйесіне қосылған және жұмыс істеп тұрған жылытқышты манипуляциялауға тиым салынады, оның орнын ауыстыруға, оған жанармай толтыруға және қандай да бір техникалық қызмет көрсету бойынша жұмыстар орындауға тиым салынады.
- Жылытқышты алғаш қосу кезінде пайда болатын түтін жану камерасында болатын буланатын органикалық материалдардың жануының себебі (керамикалық), сонымен қатар оттықтың беті жағылған коррозияға қарсы майдың салдарынан болуы мүмкін. Бірнеше минуттан соң түтін кетеді.
- Жылытқыш айналасындағы жұмысшы температуралар диапазоны  $-30^{\circ}\text{C}$ -тан  $+40^{\circ}\text{C}$ -қа дейін.

## ӨНІМДІ ИДЕНТИФИКАЦИЯЛАУ

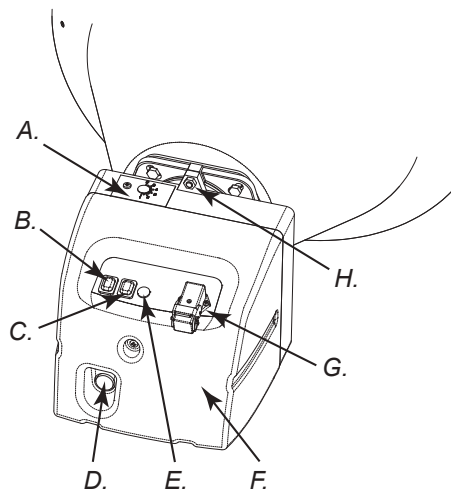


Сурет 3

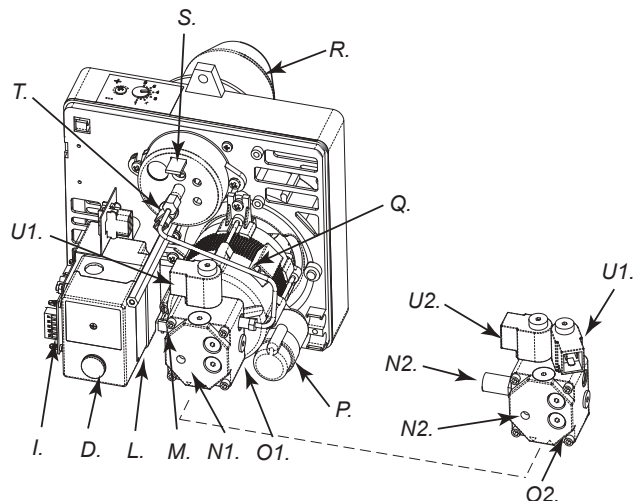


Сурет 4

**A.** Жану камерасы, **B.** Транспортты жалғанатын механизм, **C.** Жанармай фильтрі немесе алдын ала жылытатын жанармай фильтрі (ОПЦИЯ), **D.** Жанармайды беретін шланг, **E.** Жанармайды қайтаратын шланг, **F.** Жанармайдың кіретін түтігінің бұрандалы қалпағы, **G.** Аяқ немесе дөңгелек (ОПЦИЯ), **H.** Жанармай деңгейін көрсеткіш, **I.** Жану камерасының түйін астының блокадасы, **L.** Алдыңғы дефлектор, **M.** Жанармайды ағызу кранигі, **N.** Жанармай резервуары, **O.** Жылытқыштың орнын ауыстыруға арналған ұстағыш, **P.** Петля блокадасы, **Q.** Оттық, **R.** Иілу бұрышын реттегіш.



Сурет 5 - Жылытқыш жұмысын бақылайтын құралдар



Сурет 6 - Жылытқыш оттығының түйін астылары

**A.** Ауа тетіктерін реттегіш, **B.** Жануы бар ВКЛ./ВЫКЛ батырмасы, **C.** Жанармайды жылытудықосқыш (ОПЦИЯ) (XL 9SR), **D.** Қайта қосу басқышы, **E.** Нәрлеу көрсеткіші, **F.** Оттық корпусы, **G.** Термостат штепселі, **H.** Винт, **I.** Келесі желдету, **L.** Отты реттегіш, **M.** Трансформа тор, **N1.** Сорғыны реттегіш (XL 9ER), **N2.** Сорғыны реттегіш (XL 9SR), **O1.** Сорғы (XL 9ER), **O2.** Сорғы (XL 9SR), **P.** Конденсатор, **Q.** Қозғалтқыш, **R.** Оттық түтікшесі, **S.** Жану басын реттегіш, **T.** Фотоэлектрлі резистор, **U1.** Электрлі клапан 1°(XL 9ER-SR), **U2.** Электрлі клапан 2°(XL 9SR).

## ЖАНАРМАЙ

**НАЗАР АУДАРЫҢЫЗ:** Жылытқыш тек қана керосин немесе жануға арналған маймен ғана толтыруы мүмкін.

Лас жанармайды пайдалану келесідей себептерге келтіреді:

- фильтр мен жанармай сопласының ластануы,
- электродтарда көмір қалдықтарының пайда болуы.

Қоршаған ортаның төмен температурасында жанармай қатуының алдын алатын токсинді емес жанармай пайдаланған жөн.

## ЖҰМЫС ТЕОРИЯ

Жануға арналған желдету желдеткішпен жасалады және оттыққа беріледі. Оттық тубасындағауа жанармаймен араласады, ол жоғары күшті сопло көмегімен шашырайды. Жанармай резервуардан ротационды сорғы көмегімен тартылады, ол жанармайды шашырату мақсатымен жоғары қысыммен жанармайды әкеледі.

## ПАЙДАЛАНУ ЖӨНІНДЕГІ НҰСҚАУЛЫҚ

**НАЗАР АУДАРЫҢЫЗ:** Жылытқышты пайдалану алдында, сонымен қатар оны электр желі жүйесіне қосу алдында, жылытқыштың ақпараттық щитоғында көрсетілген параметрлерге параметрлер сәйкес келетіндігін тексеру қажет.

### ЖЫЛЫТҚЫШТЫ ҚОСУ

1. Қауіпсіздік техникасы тақырыбына арналған барлық ережелерді сақтау керек.
2. Резервуарды дизельді жанармай немесе жандыру майымен толтыру керек.
3. Жанармай резервуарының қақпағын жабыңыз.
4. Жылытқыштың номиналды өндіруші щитоғында келтірілген көрсеткіштергесүйене отырып, кернеуі бар қабырғаға орнатылған жерлендірілген ұяшыққа нәрлеу сымын жалғаңыз.

### ТЕРМОСТАТЫ ЖОҚ ЖЫЛЫТҚЫШТЫ ҚОСУ


#### • XL 9ER

Ауыстырғышты (B Сур. 5) қосулы (I) қалпына орнату. Жылытқыш оттық жұмысының басынан 10 секундтан кейін алдын ала желдету режимінде жұмысын бастайды.

#### • XL 9SR

**НАЗАР АУДАРЫҢЫЗ:** Жылытқышты қосу алдында басқыш сәйкес қалыпта орнатылғанына көз жеткізіңіз (C Сур. 5) .

Ауыстырғышты (B сур.5) қосулы (I) қалпына орнату. Жылытқыш оттық жұмысының басынан 10 секундтан кейін алдын ала желдету режимінде жұмысын бастайды.

Максималды өндірушілікке қол жеткізу мақсатында басқышты суретте көрсетілгендей етіп орнатыңыз (C сур. 5). .

### ТЕРМОСТАТЫ БАР ЖЫЛЫТҚЫШТЫ ҚОСУ

Термостат немесе бақылау құралын (мысалы уақыт реттегішті), егер де ол бар болса, жылытқыш әрекетін қамтамасыздандыратындай орнатыңыз.

**АЗАР АУДАРЫҢЫЗ:** Жылытқыш автоматты режимде ТЕК ҚАНА бақылаушы құрал орнатылған кезде ғана, мысалы термостат немесе уақыт реттегіш, жұмыс істей алады. Бақылау құралын жылытқышқа ЭЛЕКТРЛІ ЖАЛҒАУЛАР СХЕМАСЫНА сәйкес жалғау керек.

Жылытқышты қосу алдында немесе жанармай шланғысын толық босатқан соң соплодан шығатын жанармай ағыны тым аз, нәтижесінде отты бақылайтын сақтандырғыш механизм қосылады (САҚТАНДЫРҒЫШ МЕХАНИЗМДЕР бөлімін қараңыз), нәтижесінде жылытқышты тоқтап қалуы жүзеге асады. Бұл жағдайда бір минут өткенсоң қайта қосу басқышын басу керек (D Сур. 5-6) және жылытқышты қосу керек. Егер де жылытқыш қосылмаса, келесіні орындау:

1. резервуарда жанармайдың бар екендігіне көз жеткізу (N Сур. 4).

2. қайта қосу батырмасын басу керек (D Сур. 5-6).

Егер де жылытқыш бұрынғыша қосылмай жатса, АҚАУЛАР ЖӘНЕ ОЛАРДЫҢ МҮМКІН СЕБЕПТЕРІ бөлімінің ұсыныстарына құралдың осындай күйінің себептерін анықтау мақсатында жүгіну керек.

**НАЗАР АУДАРЫҢЫЗ:** қайта қосу алдында (құрал өшірулі және суытылған болу керек) иілу бұрышының реттегіш винттерін блоктау керек.

**НАЗАР АУДАРЫҢЫЗ:** Жылытқышқа нәр беретін электрлі сым жерлендірілген және электромагнитті-термикалық дифференциалды ажыратқышпен қамтамасыздандырылуы керек. Жылытқыштың нәрлеу сымы ажыратқышпен қамтамасыздандырылған штепсельге жалғануы керек.

### ЖЫЛЫТҚЫШТЫ ӨШІРУ

Ауыстырғышты өшіру қалпына (O) орнатыңыз (B сур. 5) немесе термостат немесе бақылаушы құралды (уақыт реттегішті) өшіру керек, егер деосы құралдардың біреуі жылытқышқа қосулы болса. От бәсеңдейді, бірақ ауа үрлеуі бұрынғыша келесі желдету циклы аяқталғанша (салқындау) жұмыс істеп тұрады.

**НАЗАР АУДАРЫҢЫЗ:** Вилканы қабырғадағы ұяшықтан алу алдында келесі желдету циклы толық тоқтағанша (салқындату 3 минуттай жалғасады) тоқтау керек.

## САҚТАНДЫРҒЫШ ҚҰРАЛДАР

Жылытқышта оттың қалпын реттеп тұратын сақтандырғыш құралы болады (L Сур. 6). Егер де жылытқыштың жұмысы уақытында дұрыс жұмыс істемеу белгілері пайда болса, сақтандырғышқұрал оттықты өшіреді және қайта қосу басқышының белгісі қосылады (D Сур. 5-6).

Құралдың сонымен қатар салқындату жүйесі болады, ол 3 минут аралығында жану камерасының оптималды, автоматты салқындау мүмкіндігін береді.

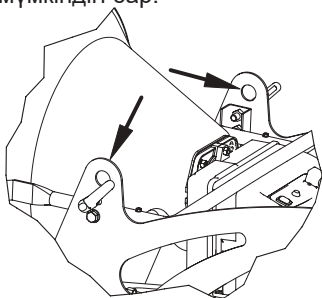
Жылытқышты қайта қосу алдында оттықтың өшіп қалуына себепші болған себепті тауып, оны жою керек.

## ОРЫН АУЫСТЫРУ МЕН ТАСЫМАЛДАУ

**НАЗАР АУДАРЫҢЫЗ:** Жылытқыштың орнына ауыстыру немесе көтерілуі алдында жанармай пробкалары соңына дейін тығыз бұратылғандығына көз жеткізу керек (F және H Сур. 3).

### ТРАНСПОРТ

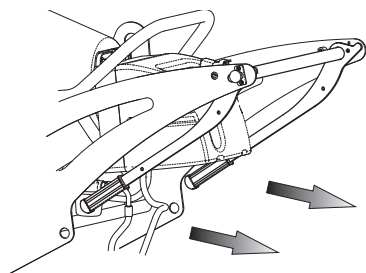
Рым-болттар механизмінің арқасында қондырғыны проблемасыз орнын ауыстырып, көтерілген қалпында орнатуға бюолады (B сур. 3 немесе Сур. 7). Осыған байланысты жылыту, салқындату және кептірудің тиімді қалпын таңдау мүмкіндігі бар.



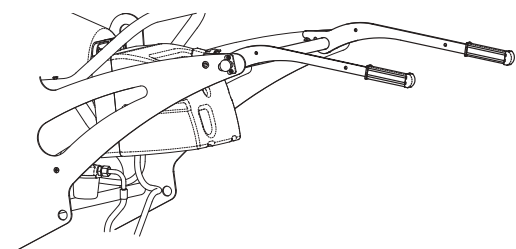
Сурет 7 - Транспортты жалғағыш механизм

### ОРЫН АУЫСТЫРУ

Осы жетекшілікте келтірілген жылытқыштың артқы бұрандалы дөңгелегі болуы мүмкін (G сур. 3). Бұл жағдайда егер де жердегі материалдың осындай мүмкіндіктері болса, жылытқышты итергіш сияқты итеріп орнын ауыстыруға болады. Егер де жылытқыштың артқы бұрандалы дөңгелегі болмаса, петлядан блокаданы шешу керек (P Сур. 4), жылытқыштың шеткі консолдарының бірінде орналасқан. Ұстағыштарды фиксациялау қалпынан (Сур. 8) транспорт қалпына (Сур. 9) ауыстыру. Жылытқыш тек қана алдыңғы екі дөңгелегінде қалатындай етіп көтеріп, оны қажетті орынға ауыстырыңыз.



Сурет 8 - Фиксациялау қалпындағы ұстағыштар, жылытқыш



Сурет 9 - Транспорт қалпындағы ұстағыштар, жылытқыш

**НАЗАР АУДАРЫҢЫЗ:** Техникалық қызмет көрсету алдында орындаңыз: «ГЕНЕРАТОРДЫ ӨШІРУ» бөлімінде келтірілген ережелерге сәйкес құралды өшіру керек; нәрлеу көзінен ажыратып, жылытқыш суығанша күту керек.

## ТЕХНИКАЛЫҚ ҚЫЗМЕТ КӨРСЕТУ КЕСТЕСІ

**НАЗАР АУДАРЫҢЫЗ:** Техникалық қызмет көрсету алдында орындаңыз: «ГЕНЕРАТОРДЫ ӨШІРУ» бөлімінде келтірілген ережелерге сәйкес құралды өшіру керек; нәрлеу көзінен ажыратып, жылытқыш суығанша күту керек.

Осы параграфта келтірілген ұсыныстар жанармай тазалығына байланысты болатын эксплуатациялық тексеру мен жылытқыш жұмыс істейтін шарттарға байланысты – уақыт жақсы желденетін ғимараттар, кішкене құрамында шаңыбар және таза жанармайды пайдалану кезінде шарттар үшін келтірілген.

Пайдаланудың әрбір 50 сағаты сайын:

- Ыдысты бөлшектеп (ФИЛЬТРДІ ТАЗАЛАУ қараңыз), оны алып тастап, тазалау.

Пайдаланудың әрбір 200 сағаты сайын:

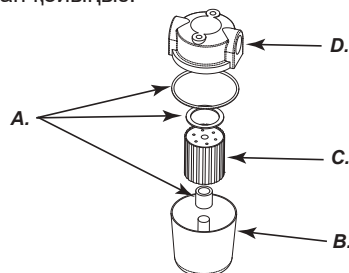
- Насос фильтрін бөлшектеп (ФИЛЬТРДІ ТАЗАЛАУ қараңыз), оны алып тастап, тазалау.

Пайдаланудың әрбір 300 сағаты сайын:

- Оттықты алып тастап оның тубасының ішкі бөлігін, от дискісін, реттеу электродтарын тазалап, қажет болса олардың ось аралық ара-қашықтықтарын тазалау керек (ОТТЫҚТЫ ТАЗАЛАУ қараңыз).

### ЖАНАРМАЙ ФИЛЬТРІН ТАЗАЛАУ

- Пластик стаканды бұрап алып, фильтрдің төсемесін шығарып алу керек.
- Бензин көмегімен төсемені жақсылап тазалау керек.
- Қайтадан фильтр төсемесін орнына орнатып, жану жүйесін нәрлендіретін жанармай фильтрінің корпусына стаканды бұрап қойыңыз.



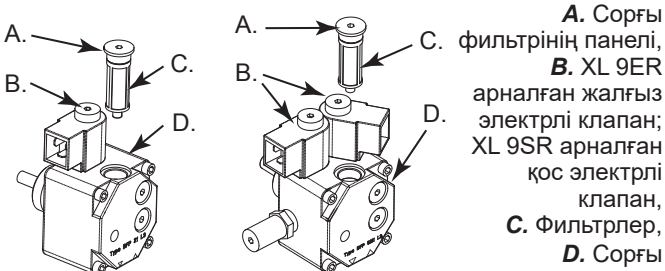
A. Парнизон,  
B. Пластик,  
стаканы,  
C. Фильтрлер,  
D. Кіру корпусы  
/ жанармайдың  
шығуы

Сурет 10 - Жылытқыш фильтрі

### СОРҒЫ ФИЛЬТРІН ТАЗАЛАУ

- Оттық корпусын демонтаждау (F Сур. 5), оттық сорғысына жетуді қамтамасыздандыру үшін (O Сур. 6).
- Фильтрді сорғыға бекітетін панельді шешу (A Сур. 11).
- Корпустаң фильтрді шығару (C Сур. 11).
- Оны жақсылап жанармай майымен немесе дизельді жанармаймен тазалау.
- Қайтадан орнына қойып, фильтр панелін сорғыға бұрап қою.

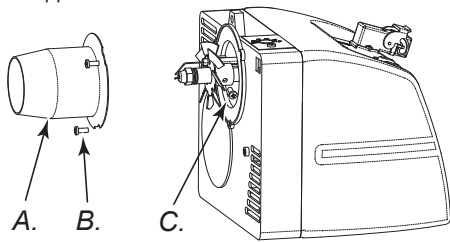




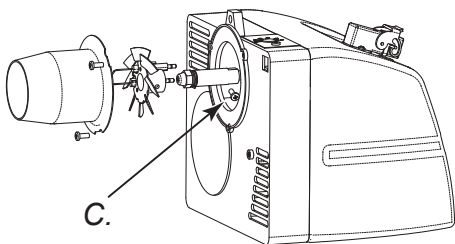
Сурет 11 - Оттық сорғысы

**ОТТЫҚТЫ ТАЗАЛАУ**

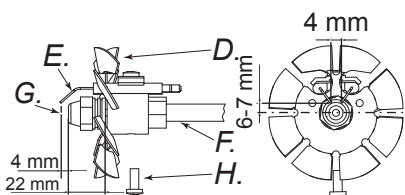
- Жану камерасында оттықты бекітіп тұратын (А Сур. 3) болтты бұрап алу (Н Сур. 5).
- Жану камерасынан оттықты шығарып алу (сур. 3).
- Оттық трубкасын бекітетін (А Сур. 12) үш гайканы бұрап алу (В Сур. 12).
- Трубканы шешу.
- От электродтарына арналған дискілер кешенін бекітетін болтты бұрап алу (С Сур. 13) және сопло ұстағышын шығарып алу (F Сур. 14).
- От дискісі (D Сур. 14) мен электродтарды (E Сур. 14) тазалау.
- Соплоны ұстағыштан (F Сур. 14) соплоны (G Сур. 14) бұрап алу, оны тазалап немесе қажет болса соплоны ауыстыру керек.
- Соплоны ұстағышқа соплоны (G Сур. 14) бұрап қою.
- От дискісі-электродтар кешенін қайта орнына орнату, дұрыс ара-қашықтыққа көңіл бөліп орнатыңыз, (Сур. 14) көрсетілгендей.



Сурет 12 - Оттықтың демонтажы



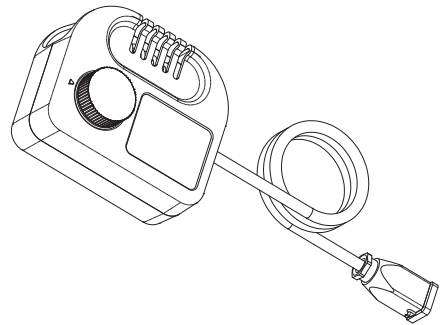
Сурет 13 - От дискісі-электродтар кешені



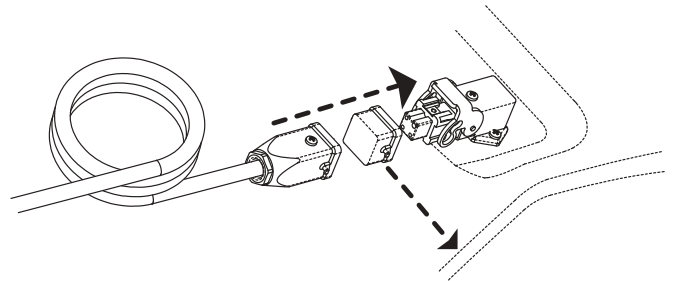
Сурет 14 - Электродтар мен сопло ара-қашықтығы

- А. Оттық трубкасы, В. Оттық трубкасының болты, С. От дискісінің болты, D. От дискісі, E. Электродтар, F. Трубка, G. Сопло, H. болт

**АКСЕССУАРЛАР  
ТЕРМОСТАТ**

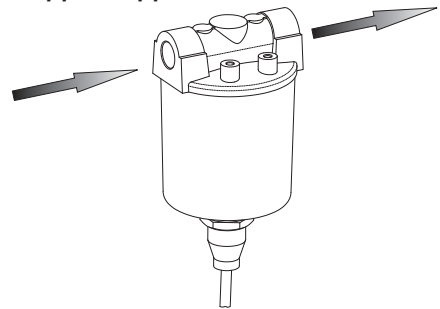


**БАҚЫЛАУ ҚҰРАЛЫН ЖАЛҒАУ**

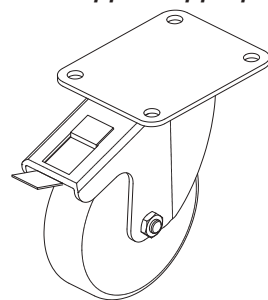


**ЕСКЕРТУ:** Техникалық қызмет көрсету бойынша жұмыстарды орындау алдында: «ГЕНЕРАТОРДЫ ӨШІРУ» бөлімінде келтірілгендей, құралды ережелерге сәйкес өшіру; нәрлендіру көзінен өшіріп, жылытқыш салқындағанша күту.

**ЖАНАРМАЙДЫ АЛДЫН АЛА ЖЫЛЫТУ ФИЛЬТРИ**



**ТЕЖЕГІШІ БАР БҰРАНДАЛЫ ДӨҢГЕЛЕК**



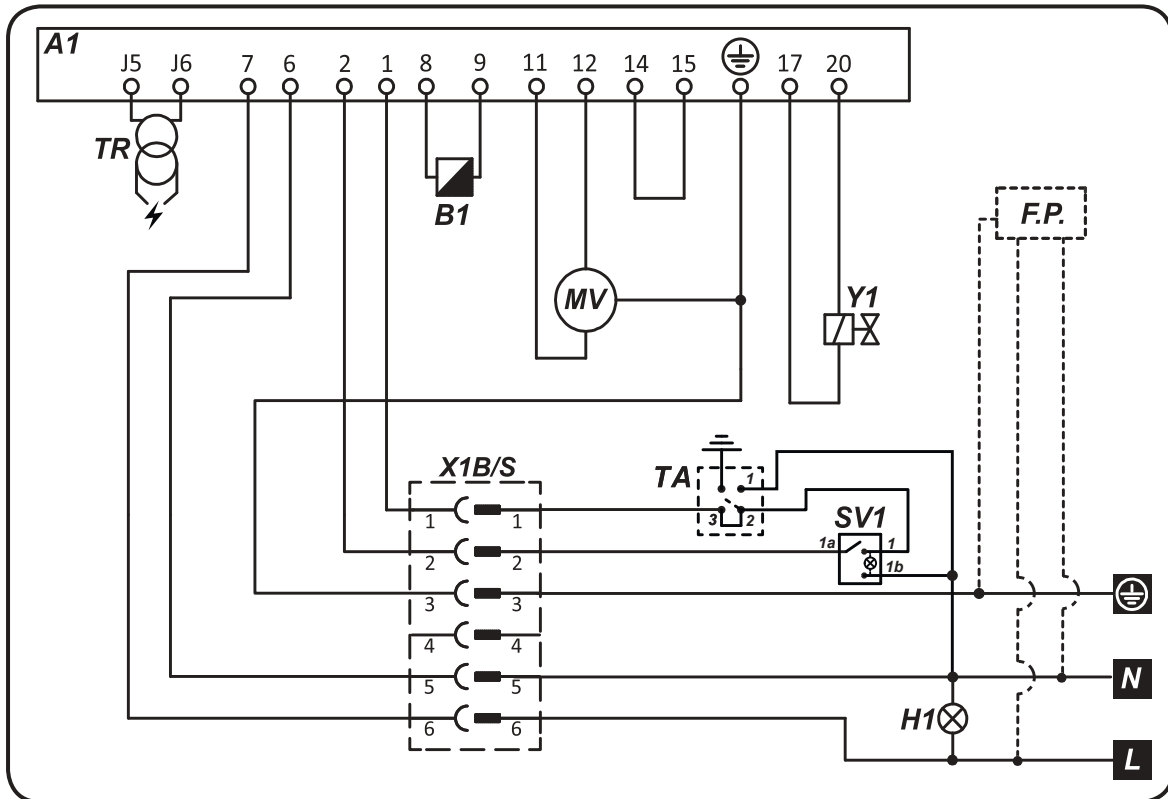
## АҚАУЛАР ЖӘНЕ ОЛАРДЫҢ МҮМКІН СЕБЕПТЕРІ

**НАЗАР АУДАРЫҢЫЗ:** Қандай да бір жөндеу жұмыстарын орындау алдында «ГЕНЕРАТОРДЫ ӨШІРУ» бөлімінде келтірілгендей нұсқаулықтарды орындап, құралды ережелерге сәйкес өшіру, вилканы қабырғада орналасқан ұяшықтан суырып, нәрлендіру көзінен өшіріп, жылытқыш салқындағанша күту.

АҚАУЛАР	МҮМКІН СЕБЕП	АҚАУДЫ ЖОЮ
Белсенді от кезінде жылытқыш өшіп қалады. Қайта қосу батырмасы белсенді (D Сур. 5-6)	<ol style="list-style-type: none"> <li>1. Фоторезистор контурында үзіліс немесе фоторезистордың күемен ластануы</li> <li>2. Жану камерасы ластанған</li> <li>3. Отты реттеу жүйесі бұзылған</li> <li>4. От трубкасы немесе диск ластанған (Сур. 12, 13, 14)</li> </ol>	<ol style="list-style-type: none"> <li>1. Фоторезисторды тазалау немесе ауыстыру</li> <li>2. Алдыңғы дефлекторды демонтаждау және жану камерасының ішкі бөлігін тазалау</li> <li>3. Отты реттегіш жүйені ауыстыру</li> <li>4. Демонтаждау және тазалау</li> </ol>
Жылытқыш өшіп қалады, от жанбай жанармай шашырайды. Қайта қосу батырмасы белсенді (D Сур. 5-6)	<ol style="list-style-type: none"> <li>1. Электр сымының ақауы</li> <li>2. Қосу трансформаторы өшірулі немесе ақауланған (M Сур. 6)</li> <li>3. Трансформатор обмоткасының оттығы қосу массасымен қысқа тұйықталуы</li> <li>4. Электродтар арасындағы ара-қашықтық дұрыс орнатылмаған</li> <li>5. Электродтардың массамен қысқа тұйықталуы, олардың ластануы немесе изоляцияның ақауы</li> </ol>	<ol style="list-style-type: none"> <li>1. Жылытқыштың электр сымын ақауға тексеру</li> <li>2. Ауыстыру</li> <li>3. Ауыстыру</li> <li>4. Электродтар арасында дұрыс ара-қашықтық орнату (Сур. 14)</li> <li>5. Электродтарды тазалау немесе қажет болса ауыстыру</li> </ol>
Жылытқыш соплосынан жанармай шашырамайды және жылытқыш өшіп қалады. Қайта қосу батырмасы белсенді (D Сур. 5-6)	<ol style="list-style-type: none"> <li>1. Фотоэлемент жарық көзіне әсер етеді</li> <li>2. Электрлі қозғалтқыш нәріндегі фазаның болмауы</li> <li>3. Сорғыға жанармайдың берілуінің болмауы</li> <li>4. Резервуарда жанармайдың болмауы</li> <li>5. Сопло ластанған</li> </ol>	<ol style="list-style-type: none"> <li>1. Құралды алдыңғы дефлекторға жарық көзі түспейтіндей етіп орнату</li> <li>2. Электр сымын тексеру</li> <li>3. Жанармай шлангтарын тексеру (D Сур. 3)</li> <li>4. Резервуарды жанармаймен толтыру</li> <li>5. Соплоны тазалау немесе ауыстыру</li> </ol>
Оттық қосылмайды	<ol style="list-style-type: none"> <li>1. Бақылау құралы (термостат немесе уақыт реттегіш) қосулы</li> <li>2. Фоторезистор контурында қысқа тұйықталу (T Сур. 6)</li> <li>3. Қосқыштың өшірілу себебінен кернеу нәрінің болмауы (4) немесе кернеудің берілуінде тұйықталу нәтижесінен бас ажыратқыштың өшіп қалуы</li> <li>4. Бақылаушы құралдың (термостат немесе уақыт реттегіш) дұрыс орнатылмауы</li> <li>5. Отты реттегіш жүйесі бұзылған</li> <li>6. Оттық панелінің астында орналасқан сақтандырғыш күйіп кеткен</li> </ol>	<ol style="list-style-type: none"> <li>1. Бақылау құралының реттеуін көбейту</li> <li>2. Ауыстыру</li> <li>3. Электр жүйе желісін өшіріп, ажыратқыштарды өшіріп немесе электр желісінің жаңартылуына дейін күту</li> <li>4. Электрлі схемаға жүгініп бақылаушы құралдың дұрыс орнатылғанын тексеру</li> <li>5. Ауыстыру</li> <li>6. Ауыстыру (F Сур. 5)</li> </ol>
От параметрлері дұрыс емес, бөтен иіс шығып тұр, қара түтін көрінеді немесе от алдыңғы дефлектордан шығып жатыр	<ol style="list-style-type: none"> <li>1. Шашырау қысымының төмендеуі</li> <li>2. Жануға қажетті ауа мөлшерінің жетіспеуі</li> <li>3. Ластану немесе тым көп уақыт пайдалану нәтижесінен сопло бітелген</li> <li>4. Жанармайда су. Жанармай сапасының төмендігі</li> <li>5. Резервуарда жанармайдың бітіп қалуы</li> </ol>	<ol style="list-style-type: none"> <li>1. Қысымның дұрыс параметрін орнату</li> <li>2. Жануға қажетті ауа мөлшерін көбейту</li> <li>3. Соплоны тазалау немесе ауыстыру</li> <li>4. Құйғыш трубка көмегімен жанармайды ағызып тастау (M Сур. 4)</li> <li>5. Резервуарды қайта толтыру</li> </ol>

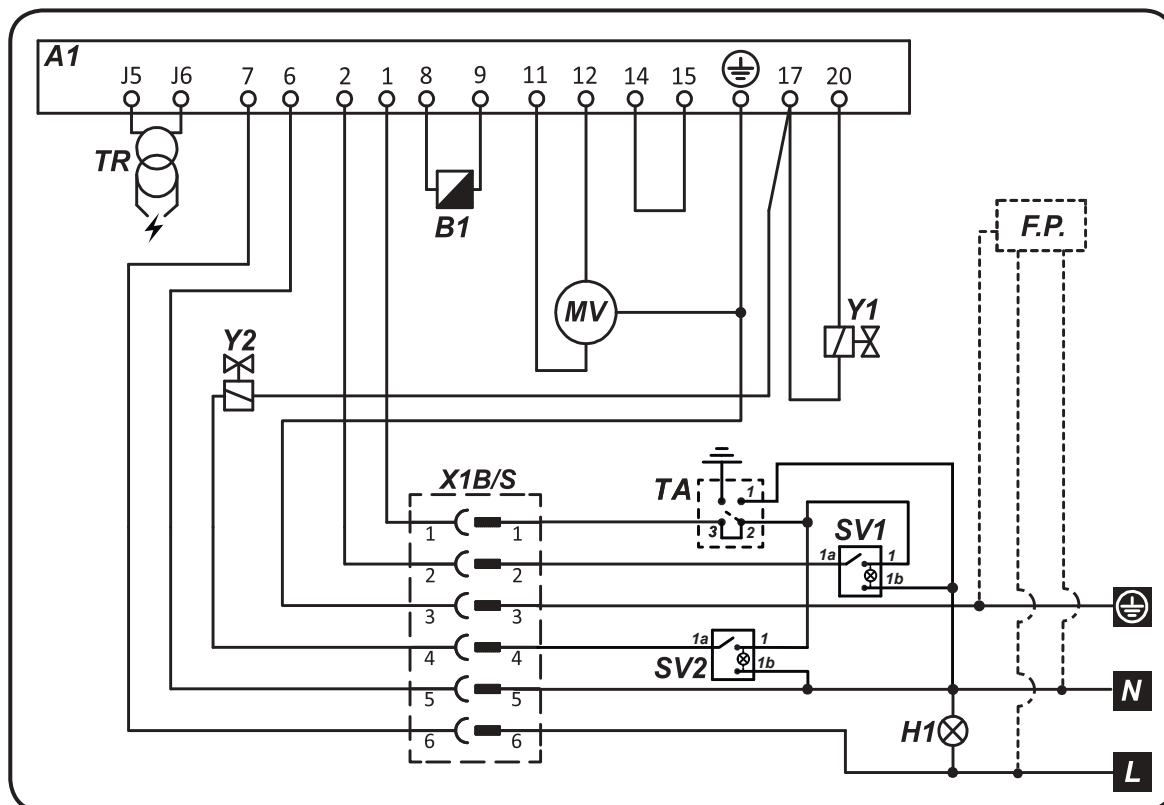
# XL 9ER

ELECTRIC DIAGRAM - SCHEMA ELETTICO - SCHALTPLAN - ESQUEMA ELECTRICO  
 - SCHÉMA ÉLECTRIQUE - BEDRADINGSSCHEMA ELEKTRISK SKEMA - SCHEMAT  
 POŁĄCZEŃ ELEKTRYCZNYCH - SCHEMAT POŁĄCZEŃ ELEKTRYCZNYCH -  
 ЭЛЕКТРОСХЕМА - SÄHKÖKAAVIOT - KOPLINGSSKJEMA - ЭЛЕКТРЛІ СУЛБЕЛЕР



<b>L1</b>	Phase - Fase - Fase - Fase - Phase - Faza - Fáze - Предохранитель - Vaihe - Fase	<b>B1</b>	Photo-resistance - Fotoresistenza - Fotowiderstand - Fotocélula - Photo-résistance - Fotoresistentie - Modstand med fotocelle - fotorezistor - Fotoelektrický odpor - Фото-сопротивления - Valovastus - Fotomotstand
<b>N</b>	Neutral - Neutro - Neutral - Neutro - Nulleiter - przewód zerowy - Nulový vodič - Нейтральный - Neutraali - Nøytral	<b>MV</b>	Motor fan - Motore ventola - Brennmotor - Motor ventilador - silnik wentylatora - Motor ventilátoru - Двигатель вентилятора - Moottorin tuuletin - Vifte
<b>TA</b>	Thermostat ambient - Termostato ambiente - Umgebungsthermostat - Termostato ambiente - Thermostat ambient - Thermostaat - Omgivende termostat - Termostat reagujący na temperaturę otoczenia - Termostat okolí - Термостат окружающего - Huonetermostaatti - Romtermostat	<b>TR</b>	Ignition transformer - Trasformatore d'accensione - Zündungstransformator - Transformador de encendido - Transformateur - transformator zapłonu - Zapalovací transformátor - Трансформатор зажигания - Sytytys muuntaja - Tenning transformator
<b>SV1</b>	ON/OFF light - Interruttore ON/OFF - ON/OFF-Schalter - Interupor ON/OFF - Interrupteur ON/OFF - AAn/UITknop - ON/OFF afbryder - Wyłącznik - mo - Spínač ZAPNUTO/VYPNUTO - ВКЛ/ВЫКЛ свет - Kytkin ON/OFF - ON/OFF-bryter	<b>Y1</b>	Electric valve - Elettrovalvola - Elektroventil - Electroválvula - Electrovanne - Magnetventil - elektrozávor - Elektrický ventil - Электрический клапан - Sähköventtiili - Magnetventil
<b>H1</b>	Operate lamp - Spia di rete - Funktionsleuchte - Piloto stan-bay - Voyant tension - Lichtnetcontrolelampje - Spændingslampe - kontrolka zasilania - Kontrolka provozu - Эксплуатация лампы - Verkkovirran valo - Strømindikator	<b>X1B/S</b>	Power connector - Connettore alimentazione - Stromzufuhr - Conexión para alimentación eléctrica - connecteur alimentation - Lichtnetconnector - Forvarmingsfilter - złączka doprowadzania zasilania - Napájecí konektor - Разъем питания - Virtaliitin - Strømkonnektor
<b>A1</b>	Control equipment - Apparecchiatura controllo fiamma - Steuergerät - Centralita de control - Appareillage contrôle flamme - Vlamcontroleapparatuur - Apparat til flammekontrol - urządzenie sterujące - Ovládací zařízení - Контрольно-измерительные приборы - Liekin tarkkailulaite - Utstyr for flammekontroll	<b>F.P.</b>	Pre-heating filter - Filtro pre-riscaldamento - Beheizungsfilter - Filtro pre-calentador de combustible - Filtre de préchauffage - Voorverwarmingsfilter - Filtér wstępnie podgrzewający paliwo - Filtr s předehříváním paliva - Подогрев фильтра - Esilämmitys-suodatin - Forvarmingsfilter

ELECTRIC DIAGRAM - SCHEMA ELETTRICO - SCHALTPLAN - ESQUEMA ELECTRICO  
 - SCHÉMA ÉLECTRIQUE - BEDRADINGSSCHEMA ELEKTRISK SKEMA - SCHEMAT  
 POŁĄCZEŃ ELEKTRYCZNYCH - SCHEMAT POŁĄCZEŃ ELEKTRYCZNYCH -  
 ЭЛЕКТРОСХЕМА - SÄHKÖKAAVIOT - KOPLINGSSKJEMA - ЭЛЕКТРЛІ СУЛБЕЛЕР



- |            |   |              |  |
|------------|---|--------------|--|
| <b>L1</b>  | Phase - Fase - Fase - Fase - Phase - Faza - Fáze - Предохранитель - Vaihe - Fase  | <b>B1</b>    | Photo-resistance - Fotoresistenza - Fotowiderstand - Fotocélula - Photorésistance - Fotoresistentie - Modstand med fotocelle - fotorezistor - Fotoelektrický odpor - Фото-сопротивления - Valovastus - Fotomotstand  |
| <b>N</b>   | Neutral - Neutro - Neutral - Neutro - Nulleiter - przewód zerowy - Nulový vodič - Нейтральный - Neutraali - Nøytral   | <b>MV</b>    | Motor fan - Motore ventola - Brennmotor - Motor ventilador - Moteur - silnik wentylatora - Motor ventilátoru - Двигатель вентилятора - Moottorin tuuletin - Vifte  |
| <b>TA</b>  | Thermostat ambient - Termostato ambiente - Umgebungsthermostat - Termostato ambiente - Thermostat ambient - Thermostaat - Omgivende termostat - termostat reagujący na temperaturę otoczenia - Termostat okolí - Термостат окружающего - Huonetermostaatti - Romtermostat   | <b>TR</b>    | Ignition transformer - Trasformatore d'accensione - Zündungstransformator - Trasformatore de incendio - Transformateur - transformator zapłonu - Zapalovací transformátor - Трансформатор зажигания - Sytytys muuntaja - Tenning transformator   |
| <b>SV1</b> | ON/OFF light - Interruttore ON/OFF - ON/OFF-Schalter - Interuptor ON/OFF - Interrupteur ON/OFF - AAn/UITknop - ON/OFF afbryder - wyłącznik - Spínač ZAPNUTO/VYPNUTO - ВКЛ / ВЫКЛ свет - Kytkin ON/OFF - ON/OFF bryter   | <b>Y1</b>    | 1st Stage Electricvalve - Elettrovalvola 1° stadio - Elektroventil 1° Stufe - Electroválvula 1° Etapa - Electrovanne 1° Allure - Magnetventil første trin - elektrozawór - Elektrický ventil 1° - 1° й этап электрический клапан - Sähköventtiili 1° vaihe - Magnetventil 1° trinn                               |
| <b>H1</b>  | Operate lamp - Spia di rete - Funktionsleuchte - Piloto stan-bay - Voyant tension - Lichtnetcontrolelampje - Spændingslampe - kontrolka zasilania - Kontrolka provozu - Эксплуатация лампы - Verkkovirran valo - Strömindikator   | <b>Y2</b>    | 2nd Stage Electricvalve - Elettrovalvola 2° stadio - Elektroventil 2° Stufe - Electroválvula 2° Etapa - Electrovanne 2° Allure - Magnetventil andet trin - elektrozawór 2° - Elektrický ventil 2° - 2° й этап электрический клапан - Sähköventtiili 2° vaihe - Magnetventil 2° trinn                             |
| <b>A1</b>  | Control equipment - Apparecchiatura controllo fiamma - Steuergerät - Centralita de control - Appareillage contrôle flamme - Vlamcontroleapparatuur - Apparat til flammekontrol - Urządzenie sterujące - Ovládací zařízení - Контрольно-измерительные приборы - Liekin tarkkailulaitte - Utstyr for flammekontroll   | <b>X1B/S</b> | Power connector - Connettore alimentazione - Stromzufuhr - Conexión para alimentación eléctrica - connecteur alimentation - Lichtnetconnector - złączka doprowadzania zasilania - Napájecí konektor - Разъем питания - Virtaliitin - Strömkonnekter  |
| <b>SV2</b> | Lighted ON/OFF button second potentiality - Interruttore ON/OFF seconda potenzialità - ON/OFF Schalter mit Leuchte zweite Potentialität - Interruptor de la segunda potencialidad ON/OFF - Interrupteur lumineux ON/OFF deuxième potentialité - AAn/UITknop - wyłącznik I/II - Sekundární podsvícený spínač ZAPNUTO/VYPNUTO - Освещенные кнопки ВКЛ/ВЫКЛ второй потенциальность Valaistu ON / OFF-painike toinen potentiaalisuus - Kytkin ON/OFF painike toinen potentiaalisuus - ON/OFF bryter for full effekt | <b>F.P.</b>  | Pre-heating filter - Filtro pre-riscaldamento - Beheizungsfilter - Filtro pre-calentador de combustible - Filtre de préchauffage - Voorverwarmingsfilter - Forvarningsfilter - filtr wstępnie podgrzewający paliwo - Filtir s předehříváním paliva - Подогрев фильтра - Esilämmitys-suodatin - Forvarningsfilter |

# CE CONFORMITY CERTIFICATE



CE CONFORMITY CERTIFICATE - DICHIARAZIONE DI CONFORMITÀ CE - EG-KONFORMITÄT-SERKLÄRUNG - DECLARACIÓN DE CONFORMIDAD CE - DECLARATION DE CONFORMITE CE - EG-CONFORMITEITVERKLARING - DECLARAÇÃO DE CONFORMIDADE CE - EU-OVERENSSTEMMELSESERKLÆRING - EY-VAATIMUSTENMUKAISUUSVAKUUTUS - CE-SAMSVAR-SERKLÆRING - EG-FÖRSÄKRAN OM ÖVERENSSTÄMMELSE - DEKLARACJA ZGODNOŚCI WE - ДЕКЛАРАЦИЯ О СООТВЕТСТВИИ CE - PROHLÁŠENÍ O SHODĚ CE - EK MEGFELELŐSÉGI NYILATKOZAT - IZJAVA O SKLADNOSTI IN OZNAKA CE - CE UYGUNLUK BEYANI - IZJAVA CE O SUKLADNOSTI - ES ATITIKTIES DEKLARACIJA - EK ATBILSTĪBAS - DEKLARĀCIJA - EÜ VASTAVUSDEKLARATSIOON - DECLARAȚIE DE CONFORMITATE CE - PREHLÁSENIE O ZHODE CE - ДЕКЛАРАЦИЯ ЗА СЪВМЕСТИМОСТ CE - ДЕКЛАРАЦИЯ ВІДПОВІДНОСТІ CE - IZJAVA CE O PRIKLADNOSTI ΔΗΛΩΣΗ ΣΥΜΜΟΡΦΩΣΗΣ CE - CE 符合性声明

**DANTHERM S.p.A. Via Gardesana 11, -37010- Pastrengo (VR), ITALY**

Product: - Prodotto: - Produkt: - Producto: - Produit: - Product: - Produto: - Produkt: - Tuote: - Produkt: - Produkt: - Produkt: - Изделие: - Výrobek: - Termék: - Izdelek: - Ürün: - Proizvod: - Gaminys: - Ierīce: - Toode: - Produsul: - Výrobok: - Продукт: - Виріб: - Proizvod: - Προϊόν: - 产品:

## **XL 9ER - XL 9SR**

We declare that it is compliant with: - Si dichiara che è conforme a: - Es wird als konform mit den folgenden Normen erklärt: - Se declara que está en conformidad con: - Nous déclarons sa conformité à: - Hierbij wordt verklaard dat het product conform is met: - Declara-se que está em conformidade com: - Vi erklærer at produktet er i overensstemmelse med: - Vakuutetaan olevan yhdenmukainen: - Man erklærer at apparatet er i overensstemmelse med: - Härmed intygas det att produkten är förenlig med följande: - Oświadczam, że jest zgodny z: - Заявляем о соответствии требованиям: - Prohlašuje se, že je v souladu s: - Kijelentjük, hogy a termék megfelel az alábbiaknak: - Izpolnjuje zahteve: - Aşağıdaki standartlara uygun olduğunu beyan ederiz: - Izjavljuje se da je u skladu s: - Pareiškiame, kad atitinka: - Tiek deklarēts, ka atbilst: - Käesolevaga deklareeritakse, et toode vastab: - Declarăm că este conform următoarelor: - Prehlasuje sa, že je v súlade s: - Декларира се че отговаря на: - Відповідає вимогам: - Izjavljuje se da je u skladu s: - Δηλώνουμε ότι είναι σύμφωνο με: - 兹证明符合:

**2014/30/EU, 2014/35/EU**

**EN 62233:2008, EN 61000-3-2:2014, EN 61000-3-3:2013, EN 55014-1:2006/A2:2011, EN 55014-2:2015, EN 60335-1:2012/A11:2014, EN 60335-2-102:2016**

Pastrengo, 2019

Stefano Verani (Member of the Board)



► en - DISPOSAL OF THE PRODUCT

-This product has been designed and manufactured with top-quality materials and components, which can be re-cycled and re-used. When a crossed-wheely bin symbol is attached to the product, it means that the product is protected by the, 2012/19/UE European Directive.

-Please obtain information regarding the local differentiated collection system for electrical and electronic products.

-Respect local Standards in force and do not dispose of old products as normal domestic waste. Correct disposal of the product helps to prevent possible negative consequences for health, the environment and mankind.

► it - SMALTIMENTO DEL PRODOTTO

-Questo prodotto è stato progettato e fabbricato con materiali e componenti di alta qualità, che possono essere riciclati e riutilizzati.

-Quando ad un prodotto è attaccato il simbolo del bidone con le ruote segnato da una croce, significa che il prodotto è tutelato dalla Direttiva Europea 2012/19/UE.

-Si prega di informarsi in merito al sistema locale di raccolta differenziata per i prodotti elettrici ed elettronici.

-Rispettare le norme locali in vigore e non smaltire i prodotti vecchi nei normali rifiuti domestici. Il corretto smaltimento del prodotto aiuta ad evitare possibili conseguenze negative per la salute dell'ambiente e dell'uomo.

► de - ENTSORGUNG DES PRODUKTS

-Dieses Produkt wurde unter Verwendung von Qualitätsmaterialien und -bauteilen entwickelt und hergestellt, die recycelt und wieder verwendet werden können.

-Ist ein Produkt gekennzeichnet durch die Mülltonne mit Rädern und einem Kreuz, wird hier angezeigt, dass dieses Produkt durch die europäische Direktive 2012/19/UE überwacht ist.

-Es wird gebeten, sich über die vor Ort bestehende Mülltrennung bezüglich elektrischer und elektronischer Produkte zu informieren.

-Die vor Ort geltenden Vorschriften zur Müllentsorgung müssen eingehalten werden und alte Produkte dürfen nicht zusammen mit dem Hausmüll entsorgt werden. Die ordnungsgemäße Entsorgung des Produkts hilft mögliche negative Folgen für Gesundheit und Umwelt zu vermeiden.

► es - ELIMINACIÓN DEL PRODUCTO

-Este producto ha sido diseñado y fabricado con materiales y componentes de alta calidad que se pueden reciclar y reutilizar.

-Cuando en el producto se encuentra el símbolo del contenedor con las ruedas tachado con una cruz, significa que el producto está tutelado por la Directiva europea 2012/19/UE.

-Se ruega informarse acerca del sistema local de recogida selectiva para los productos eléctricos y electrónicos.

-Respete las normas locales vigentes y no elimine los productos viejos junto con los residuos domésticos normales. La eliminación correcta del producto ayuda a evitar posibles consecuencias negativas para la salud del ambiente y del hombre.

► fr - SE DÉBARRASSER DE VOTRE PRODUIT USAGÉ

-Ce produit a été conçu et fabriqué avec des matériaux et des composants de haute qualité, qui peuvent être recyclés et utilisés de nouveau.

-Lorsque le symbole d'une poubelle à roue barrée est appliqué à un produit, cela signifie que le produit est couvert par la Directive Européenne 2012/19/UE.

-Veuillez vous informer du système local de séparation des déchets électriques et électroniques.

-Veuillez agir selon les règles locale set ne pas jeter vos produits usagés avec les déchets domestiques usuels. Jeter correctement votre produit usagé aidera à prévenir les conséquences négatives potentielles contre l'environnement et la santé humaine.

► nl - VERWIJDERING VAN HET PRODUCT

-Dit product werd ontworpen en gemaakt met hoogwaardige materialen en componenten, die gerecycleerd en herbruikt kunnen worden.

-Wanneer op een product het symbool van de afvalbak op wielen met een kruis erdoor is aangebracht, betekent dit dat het product valt onder de Europese Richtlijn 2012/19/UE.

-Gelieve inlichtingen in te winnen betreffende het plaatselijke systeem voor gedifferentieerde inzameling van elektrische en elektronische toestellen.

-Respecteer de plaatselijke normen die van kracht zijn, en verwijder de oude toestellen niet als gewoon huishoudelijk afval. Een correcte verwijdering van het product helpt om mogelijke negatieve gevolgen voor de gezondheid van mens en milieu te voorkomen.

► pt - ELIMINAÇÃO DO PRODUTO

-Este produto foi projetado e fabricado com materiais e componentes de alta qualidade que podem ser reciclados e reutilizados.

-Quando for afixado em um produto o símbolo do bidão com rodas marcado com uma cruz, significa que o produto é protegido pela Diretiva Europeia 2012/19/UE.

-Solicitamos informar-se sobre o sistema local de recolha diferenciada para os produtos elétricos e eletrônicos.

-Respeitar as normas locais em vigor e não eliminar os produtos antigos como normais detritos domésticos. A correta eliminação do produto ajuda a evitar possíveis consequências negativas para a saúde do ambiente e do homem.

#### ► da - BORTSKAFFELSE

- Dette produkt er designet og fremstillet med materialer og dele af høj kvalitet, der kan genanvendes.
- Når et produkt er mærket med symbolet, der viser en affaldsspand på hjul med et kryds over, betyder det, at produktet er beskyttet af EF-Direktiv 2012/19/UE.
- Der henstilles til, at man informerer sig angående det lokale affaldssorteringssystem for elektriske og elektroniske produkter.
- De gældende lokale regler skal overholdes, og de gamle produkter må ikke bortskaffes sammen med husholdningsaffaldet. Ved at bortskaffe dette produkt korrekt, medvirker De til at forhindre eventuelle negative påvirkninger af miljøet og folkesundheden.

#### ► fi - TUOTTEEN HÄVITTÄMINEN

- Tämä tuote on suunniteltu ja valmistettu korkealaatuisia materiaaleja ja osia käyttämällä, jotka voidaan kierrättää ja käyttää uudelleen.
- Kun tuotteeseen on kiinnitetty viivattu roskasäiliön merkki, se tarkoittaa, että tuotetta suojaa Euroopan yhteisön direktiivi 2012/19/UE.
- Hanki tietoja paikallisesta sähkö- ja elektroniikkaromujen erilliskeräyksestä.
- Noudata voimassa oleva määräyksiä äläkä hävitä vanhoja tuotteita kotitalousjätteiden mukana. Tuotteen oikea hävittäminen auttaa suojelemaan luontoa ja välttää väärän romutuksen aiheuttamien terveysriskien syntymistä.

#### ► no - AVFALLSHÅNTERING

- Dette produktet er utformet og produsert med materialer og deler av høy kvalitet, og som kan gjenvinnes.
- Når det på et produkt finnes et symbol som forestiller en avfallsbeholder med et kryss over, betyr dette at produktet er underlagt EU-direktiv 2012/19/UE.
- Vennligst informer dere angående de lokale reglene som gjelder kassering av elektrisk og elektronisk avfall.
- Ta hensyn til gjeldende regelverk og ikke kast gamle produkter sammen med husholdningsavfall. Riktig avfallshåndtering av produktet bidrar til å unngå potensielle negative konsekvenser for miljøet og menneskenes helse.

#### ► sv - PRODUKTENS BORTSKAFFANDE

- Den här produkten har projekterats och tillverkats med material och komponenter av hög kvalitet som kan återvinnas och återanvändas.
- När ett klistermärke med en symbol med överkorsad soptunna med hjul sitter på produkten, betyder detta att produkten är skyddad av Eu-direktiv 2012/19/UE.
- Vi ber er inhämta upplysningar vid er lokala återvinningsstation för elektriska och elektroniska produkter.
- Följ lokala gällande bestämmelser och skaffa inte bort förbrukade produkter i det vanliga hushållsavfallet. Ett korrekt bortskaffande av produkten hjälper till att undvika möjliga negativa effekter på miljö- och människohälsa.

#### ► pl - UTYLIZACJA PRODUKTU

- Niniejszy produkt został wyprodukowany z najwyższej jakości materiałów, które mogą być poddane recyklingowi i zostać ponownie użyte.
- Symbol przekreślonego kosza na śmieci umieszczony na sprzęcie, opakowaniu lub dokumentach do niego dołączonych oznacza, że produktu nie wolno wyrzucać łącznie z innymi odpadami. Obowiązkiem użytkownika jest przekazanie zużytego sprzętu do wyznaczonego punktu zbiórki w celu właściwego jego przetworzenia. Oznakowanie oznacza jednocześnie, że sprzęt został wprowadzony do obrotu po dniu 13 sierpnia 2005 r.
- Należy zapoznać się z lokalnym systemem zbiórki produktów elektronicznych i elektrycznych.
- Informacje o dostępnym systemie zbierania zużytego sprzętu elektrycznego można znaleźć w punkcie informacyjnym sklepu oraz w urzędzie miasta/gminy.
- Odpowiednie postępowanie ze użytym sprzętem zapobiega negatywnym konsekwencjom dla środowiska i ludzkiego zdrowia!

#### ► cs - LIKVIDACE VÝROBKU

- Tento výrobek byl navržen a vyroben z vysoce kvalitních materiálů a komponentů, které lze recyklovat a znovu použít.
- Je-li na výrobku symbol přeškrtnutého kontejneru, znamená to, že na výrobek se vztahuje Evropská Směrnice 2012/19/UE.
- Informujte se o místním systému pro oddělený sběr elektrických a elektronických výrobků.
- Dodržujte místní předpisy a nelikvidujte staré produkty spolu s běžným komunálním odpadem. Správná likvidace výrobku pomůže předcházet možným negativním dopadům na životní prostředí a lidské zdraví.

#### ► hu - HULLADÉKBA HELYEZÉS

- A termék kiváló minőségű újrahazsnosítható és újból felhasználható alkotóelemek felhasználásával készült.
- Ha terméken elhelyezésre került az áthúzott hulladékgyűjtőt ábrázoló jel, az azt jelenti, hogy a termékre a 2012/19/UE irányelv vonatkozik.
- Kérjük, tájékozódjon az elektromos és elektronikus hulladékok szelektív gyűjtéséről.
- Tartsa be a helyben hatályos előírásokat, és ne a terméket ne helyezze a háztartási hulladékgyűjtőbe. A megfelelő hulladékgyűjtéssel elkerülhető, hogy a hulladékok károsítsák a környezetet ill. az emberi egészséget.



#### ►sl - ODLAGANJE IZDELKA

- Ta izdelek je bil zasnovan in izdelan iz materialov in komponent visoke kakovosti, ki jih je mogoče reciklirati in ponovno uporabiti.
- Ko je izdelek označen z znamenjem prekrižanega smetnjaka na kolesih, pomeni, da zanj veljajo določbe evropske Direktive 2012/19/UE.
- Pozanimajte se o načinu ločenega zbiranja električne in elektronske opreme, ki velja v vašem kraju.
- Upoštevajte veljavne predpise in odsluženih izdelkov ne odlagajte med gospodinjske odpadke. Pravilno odlaganje izdelka prispeva k izogibanju morebitnim negativnim posledicam za zdravje okolja in ljudi.

#### ►tr - ÜRÜNÜN İMHA EDİLMESİ

- Bu ürün, geri dönüştürülüp tekrar kullanılabilen, yüksek kaliteli malzeme ve bileşenler kullanılarak tasarlanıp üretilmiştir.
- Herhangi bir üründe, üzerinde çarpı işareti bulunan tekerlekli bidon bulunuyorsa bu, ürünün 2012/19/UE Avrupa Direktifi tarafından korunduğunu belirtir.
- Lütfen bulunduğunuz bölgedeki elektrikli ve elektronik aletler için olan çöp ayrıştırma sistemi ile ilgili bilgi edininiz.
- Konuyla ilgili yerel düzenlemelere uyunuz ve eski ürünleri normal evsel atıklarla beraber atmayınız. Ürünün doğru şekilde imha edilmesi, çevre ve insan sağlığını tehdit edici olumsuz sonuçların önlenmesine yardımcı olur.

#### ►hr - ODBACIVANJE PROIZVODA

- Ovaj je proizvod osmišljen i izrađen s visokokvalitetnim materijalima i komponentama koje se mogu reciklirati i ponovno iskoristiti.
- Kada se na proizvod stavi simbol prekrižene kante na kotačima, to znači da je on podvrgnut Europskoj Smjernici 2012/19/UE.
- Informirajte se u svezi s lokalnim načinom diferencijalnog sakupljanja električnih i elektronskih proizvoda.
- Pošaljite lokalne propise na snazi i ne odbacujte stare proizvode zajedno sa običnim kućnim otpadom. Pravilnim odbacivanjem proizvoda spriječit ćete moguće negativne posljedice za okoliš i za zdravlje ljudi.

#### ►lt - GAMINIO SUNAIKINIMAS

- Šis gaminys buvo sukurtas ir pagamintas iš aukštos kokybės medžiagų bei dalių, kurios gali būti perdirbtos arba panaudotos dar kartą.
- Kai gaminys yra pažymėtas perbraukto atliekų konteinerio su ratukais ženklų, tai reiškia, kad gaminys yra saugomas pagal ES direktyvą 2012/19/UE.
- Prašome pasidomėti apie vietinę elektros ir elektronikos atliekų rūšiavimo sistemą.
- Laikykitės vietinių galiojančių taisyklių ir nemeskite senų gaminių su įprastomis buitinėmis atliekomis. Tinkamai sunaikinę gaminį išvengsite galimų neigiamų pasekmių aplinkai ir žmonių sveikatai.

#### ►lv - PRODUKTA IZNĪCINĀŠANA

- Šis produkts tika izveidots un ražots ar augstas kvalitātes materiāliem un sastāvdaļām, kas var būt savāktas un atkārtoti izmantotas.
- Kad pie produkta ir piestiprināts atkritumu tvertnes simbols ar riteņiem, kas ir pārsvītrots ar krustu, tas nozīmē, ka produktu aizstāv Eiropas Direktīva 2012/19/UE.
- Lūdzam Jūs gūt informāciju par vietēju centru, kas savāc elektriskās un elektroniskā ierīces.
- Ievērot vietējās pastāvošās normas un neiznīcināt vecus produktus, kā parastus mājas atkritumus. Produkta pareizā iznīcināšana palīdz izvairīties no iespējamām negatīvām sekām vides un cilvēku veselībai.

#### ►et - TOOTE KASUTUSEST KÕRVALDAMINE

- See toode on projekteeritud ja toodetud kvaliteetsetest materjalidest ja osadest, mida võib uuesti ringlusse võtta ja korduskasutada.
- Kui tootel on märk, millel on ratastega prügikast, millele on rist peale tõmmatud, tähendab see, et toodet kaitseb Euroopa direktiiv 2012/19/UE.
- Palun tutvuge kohaliku elektri- ja elektroonikatoodete lahuskogumise süsteemiga.
- Täitke kehtivaid kohalikke õigusnorme ning ärge visake vana toodet olmejäätmete hulka. Toote õige kõrvaldamine aitab vältida võimalikke negatiivseid tagajärgi keskkonna ja inimeste tervisele.

#### ►ro - SCOATEREA DEFINITIVĂ DIN UZ A PRODUSULUI

- Acest produs a fost proiectat și fabricat cu materiale și componente de înaltă calitate care pot fi reciclate și refolosite.
- Când pe produs este aplicat simbolul unei pubele cu roți, marcată cu o cruce, înseamnă că produsul respectiv este conform Directivei Europene 2012/19/UE.
- Vă rugăm să vă informați în ceea ce privește colectarea separată a produselor electrice și electronice.
- Respectați normele locale în vigoare și nu depozitați produsele vechi împreună cu deșeurile menajere. Eliminarea corectă a produsului ajută la eliminarea consecințelor negative pe care acesta le poate avea asupra mediului înconjurător și a persoanelor.

#### ►sk - LIKVIDÁCIA VÝROBKU

- Tento výrobok bol navrhnutý a vyrobený z vysoko kvalitných materiálov a komponentov, ktoré je možné recyklovať a znovu použiť.
- Ak je na výrobku symbol prečiarknutého kontajnera, znamená to, že na výrobok sa vzťahuje Európska Smernica 2012/19/UE.
- Informujte sa o miestnom systéme pre oddelený zber elektrických a elektronických výrobkov.
- Dodržujte miestne predpisy a nelikvidujte staré produkty spolu s bežným komunálnym odpadom. Správna likvidácia výrobku pomôže predchádzať možným negatívnym dopadom na životné prostredie a ľudské zdravie.

► **bg - ИЗХВЪРЛЯНЕ НА УРЕДА**

-Това изделие е проектирано и произведено с материали и компоненти от високо качество, които могат да се рециклират или използват повторно.

-Когато на някое изделие е поставен символ с бидон на колелца, маркиран с хикс, това означава, че изделието е защитено съгласно Европейска Директива 2012/19/UE.

-Моля да се информирате относно местната система за разделно изхвърляне на електрически и електронни изделия.

-Спазвайте действащите местни нормативи и не изхвърляйте изделията, заедно с нормалните домакински отпадъци. Правилното изхвърляне на изделията, помага за избягване на възможни отрицателни последици, за здравето на хората и за опазване на околната среда.

► **uk - УТИЛІЗАЦІЯ ВИРОБУ**

-Цей виріб був спроектований і вироблений з використанням високоякісних матеріалів і комплектуючих, які можуть бути повторно перероблені і використані.

-Якщо на виріб нанесено символ перекресленого бака з колесами для сміття, це означає, що виріб відповідає Директиві Європейського Союзу 2012/19/UE.

-Просимо ознайомитися з інформацією щодо місцевої системи роздільного збору сміття для електричного і електронного обладнання.

-Дотримуйтеся чинних місцевих правил і не викидайте старі вироби до звичайних побутових відходів. Правильна утилізація виробу допомагає уникнути можливих негативних наслідків для довкілля і здоров'я людей.

► **bs - ODLAGANJE PROIZVODA**

-Ovaj je proizvod dizajniran i proizveden korištenjem materijala i komponenata visoke kvalitete koji se mogu reciklirati i ponovo koristiti.

-Kada se na ovaj proizvod postavi simbol prekrizene kante /obilježene krstom na točkovima, to znači da je proizvod podložan Evropskoj Direktivi 2012/19/UE.

-Molimo Vas da se informirate o lokalnom sistemu diferencijalnog sakupljanja električnih i elektronskih proizvoda.

-Poštujte lokalne propise na snazi i ne odbacujte stare proizvode u obični kućanski otpad. Pravilno odlaganje proizvoda pomaže i onemogućuje negativne posljedice za zdravlje ljudi i okoliša

► **el - ΔΙΑΘΕΣΗ ΤΟΥ ΠΡΟΪΟΝΤΟΣ**

-Το προϊόν αυτό σχεδιάστηκε και κατασκευάστηκε με υλικά και εξαρτήματα υψηλής ποιότητας, τα οποία μπορούν να ανακυκλωθούν και να ξαναχρησιμοποιηθούν.

-Όταν ένα προϊόν είναι συνδεδεμένο με το σύμβολο του διαγεγραμμένου τροχοφόρου σημειωμένο με ένα σταυρό, σημαίνει ότι το προϊόν καλύπτεται από την Ευρωπαϊκή Οδηγία 2012/19/UE.

-Σας συνιστούμε να ενημερωθείτε σχετικά με το τοπικό σύστημα συλλογής για την ανακύκλωση ηλεκτρικών και ηλεκτρονικών προϊόντων.

-Τηρήστε τους τοπικούς κανονισμούς που ισχύουν και μην απορρίπτετε τα παλαιά προϊόντα στα οικιακά απορρίμματα. Η σωστή διάθεση του προϊόντος βοηθά στην αποφυγή πιθανών αρνητικών συνεπειών για την υγεία του περιβάλλοντος και του ανθρώπου.

► **zh - 弃置旧的产品**

-该产品是由高质量的原材料和零配件生产而成的，可以进行回收再利用

-当这个标识标签出现在产品上时，它表明这个产品符合 European Directive 2012/19/UE 标准。

-请熟知产品实际使用地关于处理废弃的电子元件的相关法律规定。

-请严格根据当地法规处理废弃的产品和包装，并确保不和生活垃圾混装。正确的处理方式可以避免对环境和人体健康产生的潜在威胁。

