



SR-B 17V



FX = flexible body, V = valve, HD = heavy duty, W = water cooled

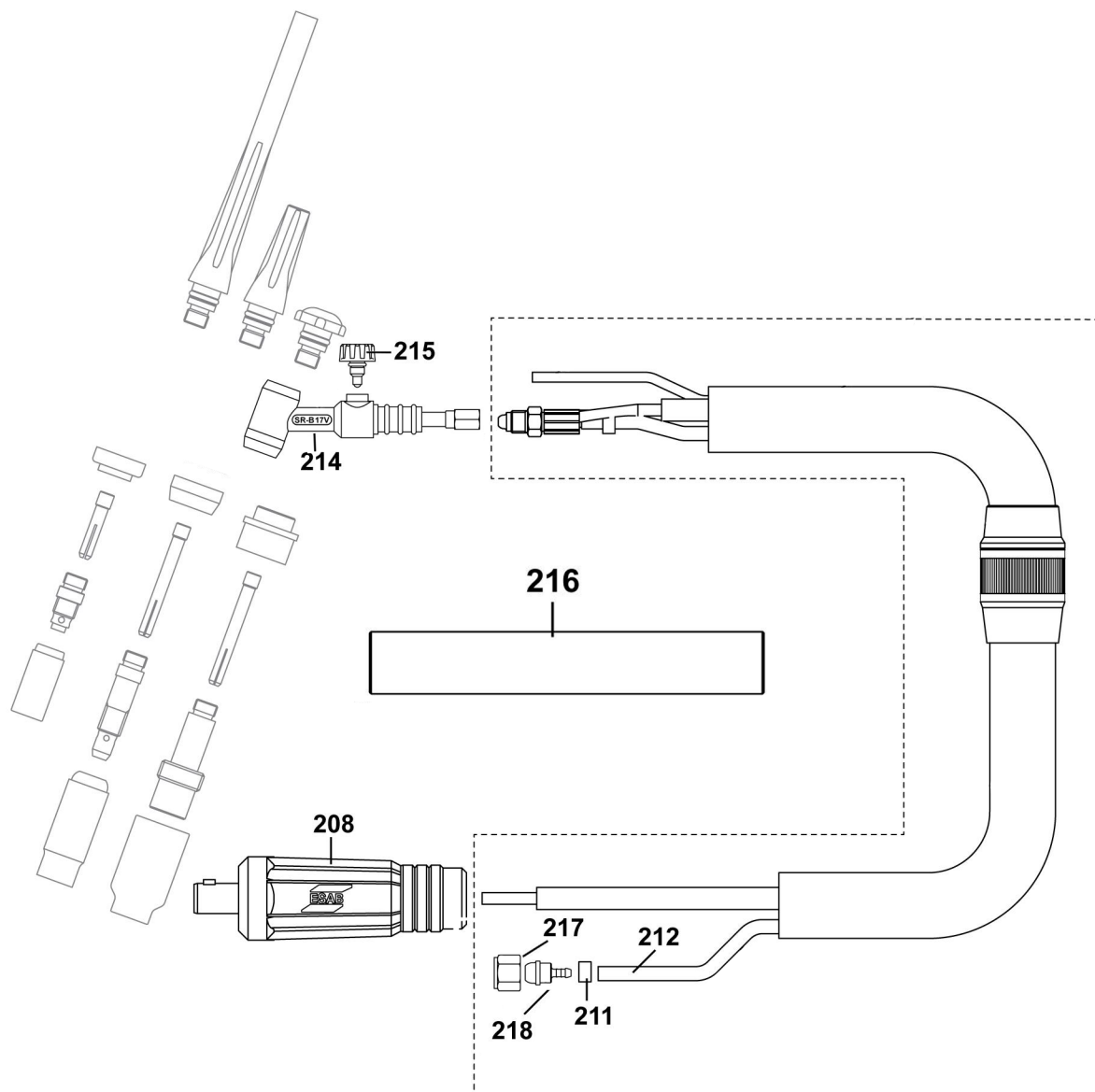
Ordering no.	Type	Torch head			TSB 1025		TSB 3550				W
		Switch	Valve	F head	4 m 13 ft	8 m 26 ft	4 m 13 ft	8 m 26 ft	12 m 39 ft	16 m 52 ft	
0700025512	SR-B 17V		X		X						
0700025513	SR-B 17V		X			X					
0700025514	SR-B 17V		X				X				
0700025515	SR-B 17V		X					X			

Tungsten electrodes Eco

Ordering no. 150 mm	Ordering no. 175 mm	Tungsten electrodes Eco	Diameter	Colour	Code	Current
-	0151 574 009	Wolfram, pure	Ø 1.6	Green	WP	AC
0151 574 245	-	Wolfram, pure	Ø 2.0	Green	WP	AC
0151 574 210	0151 574 010	Wolfram, pure	Ø 2.4	Green	WP	AC
0151 574 211	0151 574 011	Wolfram, pure	Ø 3.2	Green	WP	AC
-	0151 574 012	Wolfram, pure	Ø 4.0	Green	WP	AC
0151 574 237	0151 574 037	Cerium 2%	Ø 1.6	Grey	WC20	AC/DC
0151 574 242	-	Cerium 2%	Ø 2.0	Grey	WC20	AC/DC
0151 574 238	0151 574 038	Cerium 2%	Ø 2.4	Grey	WC20	AC/DC
0151 574 239	0151 574 039	Cerium 2%	Ø 3.2	Grey	WC20	AC/DC
0151 574 240	0151 574 040	Cerium 2%	Ø 4.0	Grey	WC20	AC/DC
0151 574 230	0151 574 050	Lanthanum 1.5%	Ø 1.0	Gold	WL15	AC/DC
0151 574 231	0151 574 051	Lanthanum 1.5%	Ø 1.6	Gold	WL15	AC/DC
0151 574 243	0151 574 246	Lanthanum 1.5%	Ø 2.0	Gold	WL15	AC/DC
0151 574 232	0151 574 052	Lanthanum 1.5%	Ø 2.4	Gold	WL15	AC/DC
0151 574 233	0151 574 053	Lanthanum 1.5%	Ø 3.2	Gold	WL15	AC/DC
0151 574 234	0151 574 054	Lanthanum 1.5%	Ø 4.0	Gold	WL15	AC/DC
0151 574 235	0151 574 055	Lanthanum 1.5%	Ø 4.8	Gold	WL15	AC/DC

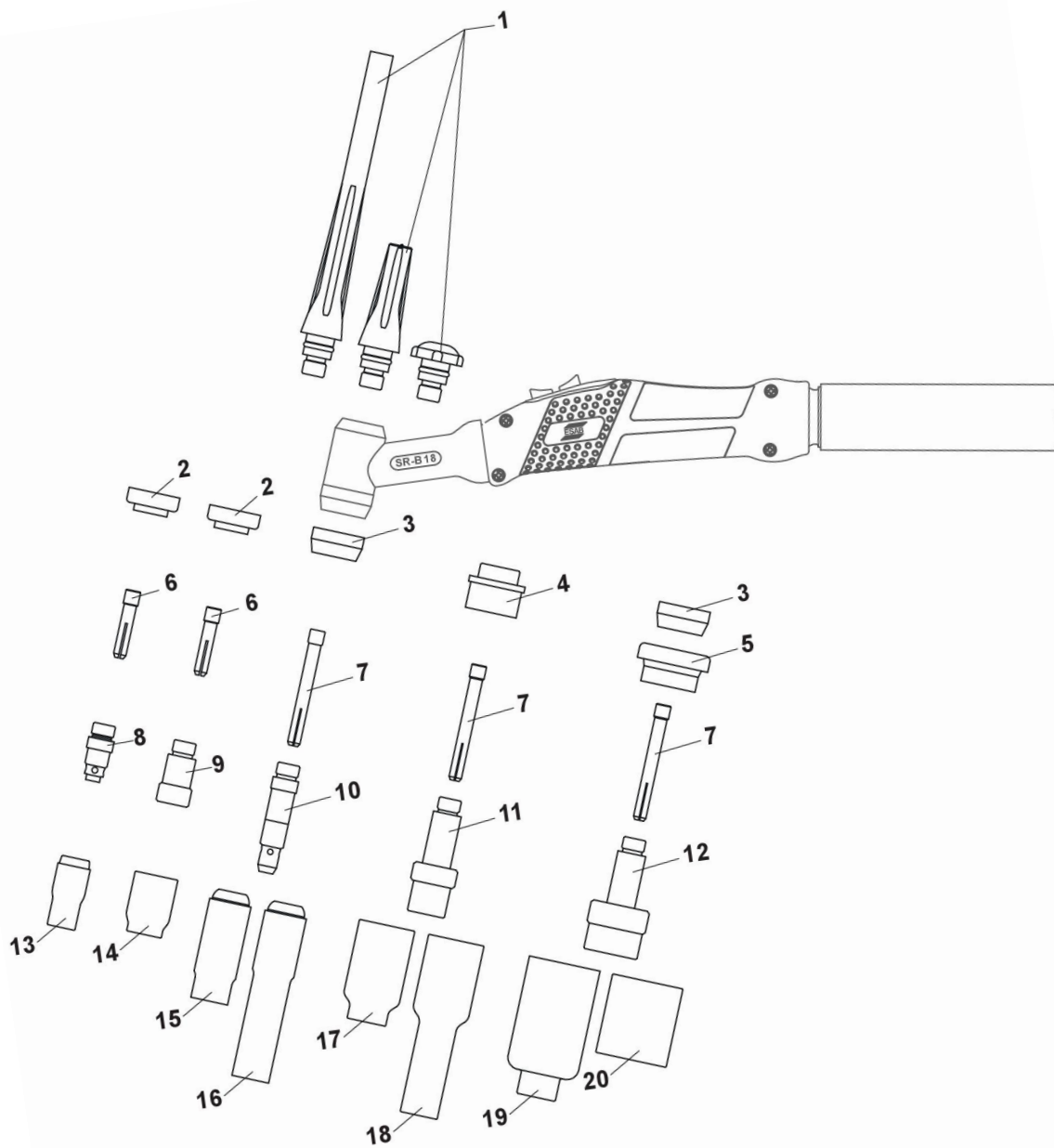
SR-B 17V

Item	Qty.	Ordering no.	Denomination	Notes
208	1	0700 025 625	Welding cable plug	TSB 35-50
	1	0700 025 624	Welding cable plug	TSB 10-25
211	1	0700 025 974	Hose clamp with ring	8.7 mm
212	1	0700 025 995	Gas hose	per m
214	1	0700 300 591	Torch head valved	
215	1	0700 300 581	Gas valve	
216	1	0700 025 631	Handle, H100	only for V-torch
217	1	0700 025 636	Nut G3/8"	SW 19, only for V-torch
218	1	0700 025 635	Nipple for G3/8"	only for V-torch



Bold = standard delivery

Item	Size	Description	Ordering no.
1	Long	Back cap	0157 123 029
	Medium		0588 000 591
	Short		0157 123 028
2		Heat shield small	0700 025 680
3		Heat shield	0366 960 016
4		Heat shield gas lens	0366 960 020
5		Heat shield large gas lens	0366 960 021
6	Ø 1.0	Collet standard and for gas lens, short	0349 501 216
	Ø 1.6		0349 501 217
	Ø 2.4		0349 501 218
	Ø 3.2		0349 501 219
7	Ø 0.5	Collet standard and for gas lens	0157 123 009
	Ø 1.0		0157 123 010
	Ø 1.6		0157 123 011
	Ø 2.0		0700 025 681
	Ø 2.4		0157 123 012
	Ø 3.0		0700 025 682
	Ø 3.2		0157 123 013
	Ø 4.0		0157 123 014
8	Ø 1.0-1.6	Collet body short	0700 025 683
	Ø 2.0-2.4		0700 025 684
	Ø 3.2		0700 025 685
9	Ø 1.0-1.6	Collet body with gas lens, short	0700 025 686
	Ø 2.4		0700 025 687
	Ø 3.2		0700 025 688
10	Ø 0.5-1.6	Collet body standard	0157 123 016
	Ø 2.0-2.4		0157 123 017
	Ø 3.0-3.2		0157 123 018
	Ø 4.0		0157 123 019
11	Ø 1.0	Collet body with gas lens, standard	0157 123 021
	Ø 1.6		0157 123 022
	Ø 2.0-2.4		0157 123 023
	Ø 3.0-3.2		0157 123 024
	Ø 4.0		0157 123 025



12	Ø 1.0	Collet body with extra large gas lens	0157 123 083		
	Ø 1.6		0157 123 084		
	Ø 2.0-2.4		0157 123 085		
	Ø 3.0-3.2		0157 123 086		
	Ø 4.0		0588 000 087		
13	Ø 6.4 (No. 4)	Gas nozzle L=30 mm	0365 310 044		
	Ø 8.0 (No. 5)		0365 310 045		
	Ø 9.8 (No. 6)		0365 310 046		
	Ø 11.2 (No. 7)		0365 310 047		
	Ø 12.7 (No. 8)		0365 310 048		
14	Ø 15.9 (No. 10)		0588 000 440		
	14	Gas nozzle for gas lens, short L=25.5 mm	Ø 6.4 (No. 4)	0157 121 032	
			Ø 8.0 (No. 5)	0157 121 033	
			Ø 9.8 (No. 6)	0157 121 034	
			Ø 11.2 (No. 7)	0157 121 039	
Ø 12.7 (No. 8)			0157 121 040		
15	Gas nozzle standard L=47 mm	Ø 6.4 (No. 4)	0157 123 052		
		Ø 8.0 (No. 5)	0157 123 053		
		Ø 9.8 (No. 6)	0157 123 054		
		Ø 11.2 (No. 7)	0157 123 055		
		Ø 12.7 (No. 8)	0157 123 056		
16	Gas nozzle standard L=76 mm	Ø 15.9 (No. 10)	0588 000 442		
		Ø 19 (No. 12)	0588 000 441		
		16	Gas nozzle standard L=76 mm	Ø 6.4 (No. 4)	0700 025 689
				Ø 8.0 (No. 5)	0700 025 690
				Ø 9.8 (No. 6)	0700 025 691
Ø 11.2 (No. 7)	0700 025 692				
17	Gas nozzle for gas lens L=42 mm			Ø 6.4 (No. 4)	0157 123 057
		Ø 8.0 (No. 5)	0157 123 058		
		Ø 9.8 (No. 6)	0157 123 059		
		Ø 11.2 (No. 7)	0157 123 060		
		Ø 12.7 (No. 8)	0157 123 061		
18	Gas nozzle for gas lens L=76 mm	Ø 17.5 (No. 11)	0588 000 439		
		18	Gas nozzle for gas lens L=76 mm	Ø 6.4 (No. 4)	0700 025 693
				Ø 8.0 (No. 5)	0700 025 694
				Ø 9.8 (No. 6)	0700 025 695
				Ø 11.2 (No. 7)	0700 025 696
Ø 12.7 (No. 8)	0700 025 697				

19	Ø 9.8 (No. 6)	Gas nozzle for gas lens, large L=48 mm	0157 123 088
	Ø 12.5 (No. 8)		0157 123 089
	Ø 15.9 (No. 10)		0588 000 438
	Ø 19 (No. 12)		0157 123 098
	Ø 24		0588 000 437
20	Ø 24	Gas nozzle for gas lens, short L=34 mm	0700 025 679

