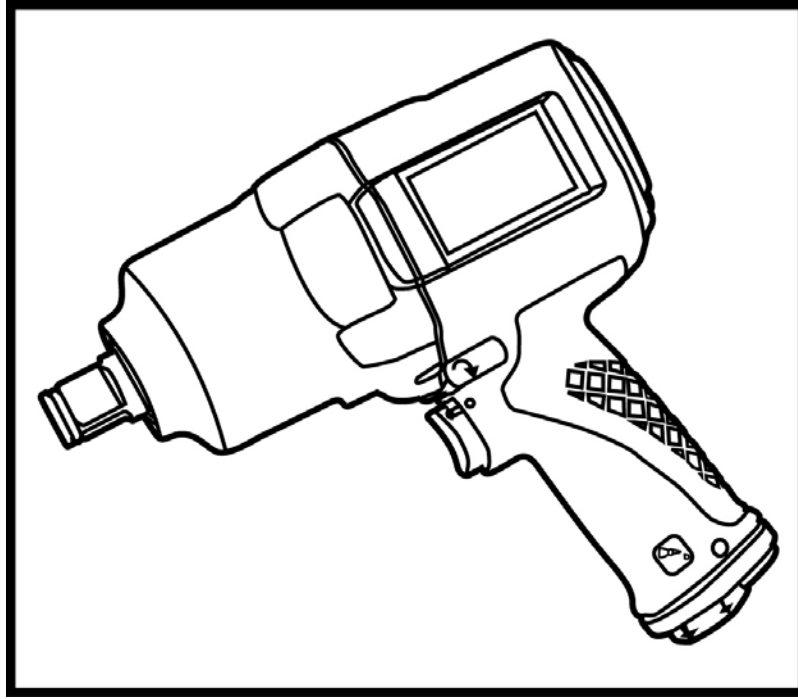


IRONSIDE®

CE



100870 ST-C589

1" Sq. Dr. Super Duty Air Impact Wrench-Composit Housing

Specification:

Free Speed	6,000 r/min
Max. Torque	2100 ft-lb (2847 N-m)
Air Consumption	25 CFM (708 L/min)
Overall Length	8.9" (228 mm)
Air Inlet (PT)	3/8" (10 mm)
Air Hose (I.D.)	1/2" (13 mm)
Air Pressure	90 psi (6.3 bar)
Net Weight	8.6 lbs (3.9 kg)

Noise and Vibration:

Vibration EN ISO 28927-2	Noise EN ISO 15744	Remark
Load: 9.98 m/s ²	Sound Pressure Level load: 100 dB(A)	Please always wear ear protector at environment noise level > 80 dB(A) due to risk of impaired hearing!
	Sound power level load: 111 dB(A)	
Uncertainty K= 1.5 m/s ²	Uncertainty K= 3dB	

Ironside International
Paris Nord 2
13 rue de la Perdrix
Tremblay en France
France



EC DECLARATION OF CONFORMITY

We herewith IRONSIDE INTERNATIONAL:

Ironsides International
Paris Nord 2
13 rue de la Perdrix
Tremblay en France
France

Declare that the following machine complies with the appropriate basic safety health requirement of EC directives based on its design and type as brought into the circulation by us.

In case of alteration of the machine, not agreed upon by us, this declaration will lose its validity

Machine type: **Pneumatic impact wrench 1"**
Model/ Serial No: **100870/ST-C589**

Complies with these normative documents:
Machinery Directive: 2006/42/EC

and conforms to the following EN standard,

- EN ISO 12100: 2010
- EN ISO 11148-6:2012

Name and Signature

Position

Stéphane DERRIEN

Date and Place

01/11/2017, Roissy



Foreword

IRONSODE is a manufacturer and exporter of air tools since established. We have devote all our efforts in improving quality and tools' life. As well as the noise and vibration of tools. Bring all of you working efficiencies, profits, and enjoy using the tool is our principle.

Features

This tool with a reversible spindle driving a hammer which periodically strikes an anvil which includes a drive adapter for the purpose of tightening or loosening nuts and bolts without producing any major torque reaction on the power tool.

Operator's instruction

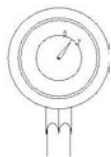
1. Main Applications

This assembly tool is the perfect one to which the work of heavy truck, boat, construction machine, steel belt for excavator, etc.

2. Cautions for Use

2-1 Air pressure

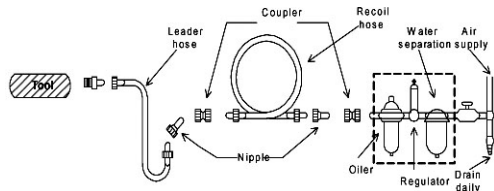
Maximum performance is displayed at the proper sanding speed, obtainable at a gauge pressure of 6.2 bar. Range-wise, this is an air pressure from 5 to 7 bar (70 to 100 psi)



2-2 Air line

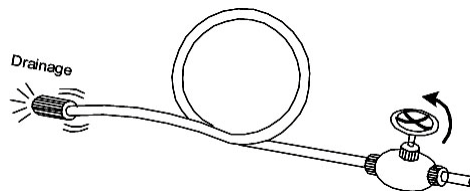
Use a 3/4" air hose between the compressor and the tool. Compressed air is cooled and its water content separated, as soon as the air leaves the compressor. A portion of the water content, however, is condensed in the piping, and can enter the tool mechanism, and may cause trouble. So, install an air filter and an oiler between the compressor

and the tool. Use a 3 HP or larger compressor for each sander.



2-3 Air hose

Clean the hose with a blast of compressed air before connecting the hose to air tool. This will prevent both moisture and dust within the hose from entering the tool and causing possible rust or malfunction. To compensate for unusually long hose (over 25 ft), the line pressure should be increased accordingly.



2-4 Inserted tools

Use only the socket or adapter which are in good condition for use. The intended socket and adapter for this air tool could be stated as "Square Drive" on the specification list.

2-5 The approved eye protector, ear-muff, mouth-muffle, and gloves shall be worn when operate this tool.

2-6 The working place shall be ventilative.

2-7 Release the on-off device in the case of energy supply failure.

3. Operation Method

3.1 On-off device

The on-off device is on the inner or outer contour of the grip. It is a "hold-to-run" type.

This tool stops rotation within few sec, after releasing the lever. For the sake of safety, place it on a level plate or on hanger after it completely stops.

3.2 Torque Adjuster

You can adjust the torque by rotating the knob which indicated by 1 to 6. "1" indicates the smallest torque output and "6" indicates the largest torque output.

3.3 Rotating Direction

One shall make sure the direction of rotation before actuate this tool. The "F" indicates forward and the "R" indicates reverse. Forward is defined as clockwise direction seen from the operator's position.

4. Maintenance

4-1 Lubrication

Before connecting the hose, apply 4 or 5 drops of #10 spindle oil at the air inlet. Use of a thicker oil can lead to reduced performance or malfunction. If a thicker oil is used by accident, wash it away immediately. Also, every 3 or 4 hours of operation, oiling is necessary.

4-2 Storage

Avoid storing the tool in a location subject to high humidity. If the tool is left as it is used, the residual moisture inside the tool can cause rust. Before storing and after operation, oil the tool at the air inlet with spindle oil and run it for a short time.

4-3 Disposal

If the tool is too seriously damaged to be used anymore, drop it in a resource recycling can. Never drop it into fire.

4-4 Ordering service Parts

For further operational and handling information or for replacement of parts and components, contact the sale agent from whom you purchased the tool or the service division of our company.

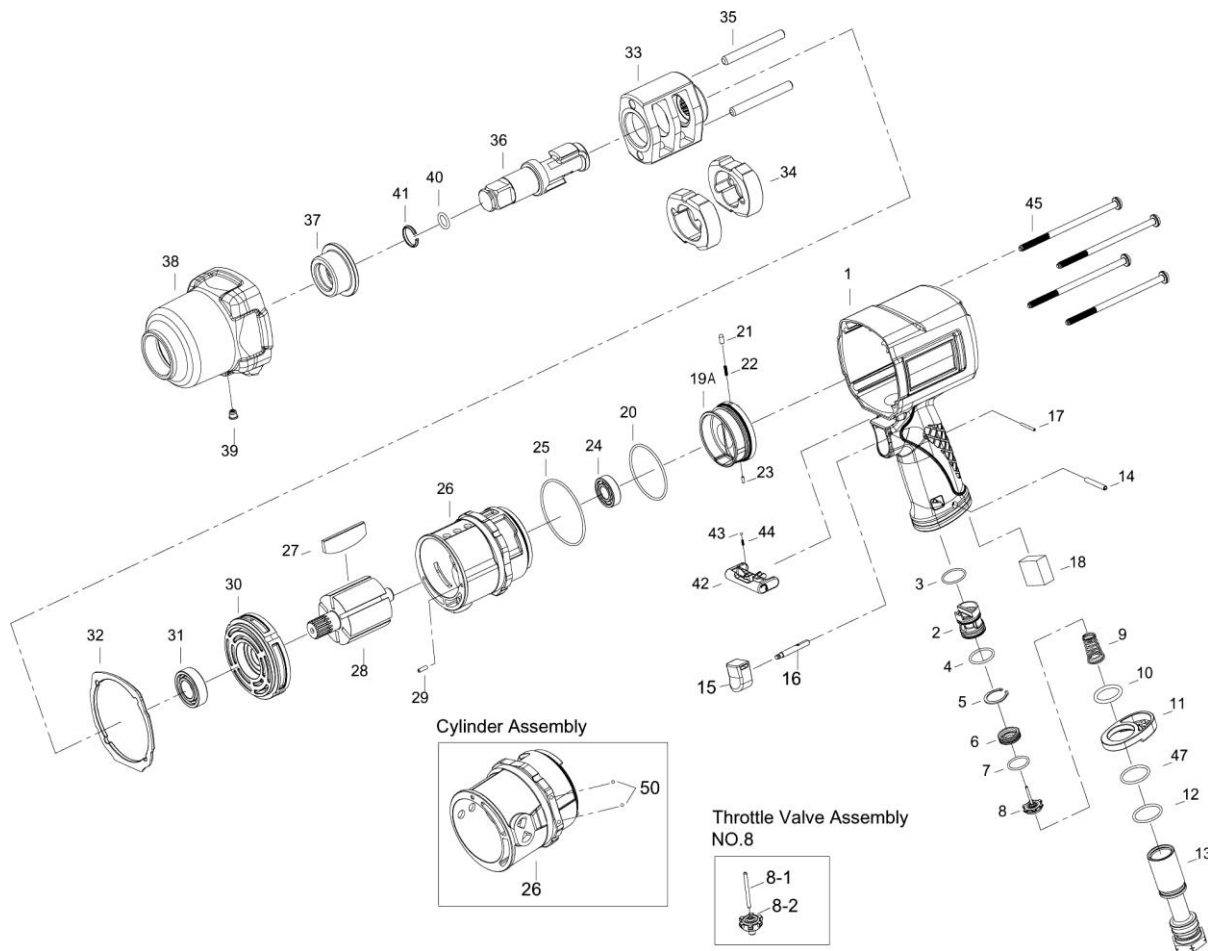
- In ordering parts and components, give each part number, name and quantity.

Warning

1. The power tool shall not be used in potentially explosive atmospheres.
2. Disconnect the air hose before changing or adjusting any inserted tools.
3. Prevent long hair or loose clothing from drawing in while operate this tool.
4. Keep your body in well balanced position and always wear gloves to reduce the risk of crushing caused by torque between handle and workpiece.
5. Unexpected direction of rotating could cause a hazardous situation.
6. Slip/Trip/Fall is a major reason of serious injury or death. Beware of excess hose left on the walking or work surface.
7. Wearing eye/face protector could reduce the danger to person from high speed splinters being emitted from this tool in the case of inserted tool failure or emitted from the workpiece.
8. Wearing mouth-muff could avoid inhaling dust or handling debris from work process that can be harmful to your health.
9. Excessive high air pressure and too much free rotation may speed the wear of this tool and might cause danger situation.



1" IMPACT WRENCH



PARTS LIST

No.	Art	Parts No.	Description	Q'ty
1	101433	C579-01	Motor Housing	1
2	101434	C579-02	Reverse Valve	1
3	101435	C579-03	O-Ring	1
4	101436	C579-04	O-Ring	1
5	101437	C579-05	Retainer	1
6	101438	C579-06	Throttle Valve Seat	1
7	101439	C579-07	O-Ring	1
8	101440	C579-08	Throttle Valve Assembly [Incl. 8-1, 8-2]	1
9	101441	C579-09	Throttle Valve Spring	1
10	101442	C579-10	O-Ring	1
11	101443	C579-11	Exhaust Deflector	1
12	101444	C579-12	O-Ring	1
13	101445	C579-13A	Air Inlet (PT19)	1
14	101448	C579-14	Spring Pin	1
15	101449	C579-15	Trigger [Incl.: 16]	1
17	101450	C579-17	Spring Pin	1
18	101451	C579-18	Muffler Element	1
19A	101452	C579-19A	Reverse Valve (Alum.)	1
20	101453	C579-20	O-Ring	1
21	101454	C579-21	Pin	1
22	101455	C579-22	Spring	1
23	101456	C579-23	Pin	1
24	101457	C579-24	Ball Bearing	1
25	101458	C579-25	O-Ring	1
26	101459	C579-26	Cylinder Assembly [Incl.: 50(2)]	1

No.	Art	Parts No.	Description	Q'ty
27	101460	C579-27	Rotor Blade	6
28	101461	C579-28	Rotor	1
29	101462	C579-29	Pin	1
30	101463	C579-30	Front End Plate	1
31	101464	C579-31	Ball Bearing	1
32	101465	C579-32	Hammer Case Gasket	1
33		C589-33	Hammer Frame [100870]	1
34	101467	C579-34	Hammer	2
35	101468	C579-35	Hammer Pin	2
36	101470	C589-36	1" Dr. Anvil [100870]	1
37	101472	C589-37	Bushing [100870]	1
38	101474	C589-38	Hammer Case [Incl.: 37, 39] [100870]	1
39	101424	C579-39	Grease Fitting	1
40	101958	C589-40	O-Ring [100870]	1
41	101960	C589-41	Retainer [100870]	1
42	101961	C579-42	Reverse Knob	1
43	101962	C579-43	Steel Ball	1
44	101963	C579-44	Spring	1
45	101964	C579-45	Screw	4
47	101965	C579-47	O-Ring	1
50	101966	C579-50	Steel Ball	2
		C579-TK1	Tune-Up Kit [Incl.: 3, 4, 5, 7, 10, 12, 18, 20, 22, 25, 27(6), 32, 40, 41, 43, 44, 47]	

IMPACT WRENCH
INSTRUCTION MANUAL
GB
SV
FI



Read all these safety instructions before operating this product and save these instructions.

The tool has been manufactured in conformity with the instruction of EU machine directive. The EU mark will be considered void in the event of inexpert repairs, the use of non-original parts and in case of non-observance of the safety instructions in the user's manual.

Possible direct or indirect consequential damages are not the responsibility of Ironside International.

General safety rules:

1. Watch the tool at all times when in use.
2. People under the influence of alcohol or drugs are not allowed to use, repair or maintain the tool.
3. Keep unqualified persons, children, etc. away from the tool.
4. Keep work area clean and with sufficient daylight or artificial lighting. The work area on which the machine is used must be cleaned up. Disorder is a potential cause of accidents.
5. Danger of explosion. Never use oxygen and combustible gas as an air supply for the tool which may be ignited by spark and cause fire or explosion.
6. Never use gasoline or other flammable liquids to clean the tool.
7. Do not use air tools in potentially explosive atmospheres such as in the presence of flammable liquids, cleaning solvents, fluid energy or stored gases.
8. Do not expose air tools to rain. Do not use air tools in damp or wet locations.
9. When a fault or failure is detected, the tool must immediately be disconnected from the air supply and returned for repair.
10. When not in use, keep tools in a dry place, either locked up or in a high place, out of the reach of children.
11. Do not force small air tools to do the job of a heavy –duty task. Do not use air tool for purpose of which was not intended.
12. Wear suitable ear protection at environment noise level >80dB(A) and safety spectacles when using the tool. Always wear approved safety goggles if work in dusty. This also applies to other persons in the nearby vicinity.
13. Do not wear loose clothing or jewelry. They can be caught in moving parts. Rubber gloves and non-skid foot wear are recommended when working outdoors. Wear protective hair covering to contain long hair.
14. Keep proper footing and balance at all times.
15. Use clamps or a vice to hold work-piece. It is safer than using your hand and free both hands to operate the air tool.
16. When not use, before performing service or changing accessories, please disconnect tool from air compressor.
17. Do not carry plugged in air tool with your finger on the switch trigger. Be sure switch is in the "OFF" position when connecting to air supply.
18. Watch what you are doing. Use common sense, even unsafe situation or unbalanced positions, particularly when you are tired.
19. Air powered tools can vibrate in use. Vibration, repetitive motions or uncomfortable positions may be harmful to your hands or arms. Stop using any tool if discomfort, tingling feeling or pain occurs. Seek medical advice before resuming use.
20. For multiple hazards, read and understand the safety instructions before installing, operating, repairing, maintaining, changing accessories on, or working near the assembly power tool for threaded fasteners. Failure to do so can result in serious bodily injury.
21. Only qualified and trained operators should install, adjust or use the assembly power tool for threaded fasteners.
22. Do not modify this assembly power tool for threaded fasteners. Modifications can reduce the effectiveness of safety measures and increase the risks to the operator.
23. Do not discard the safety instructions; give them to the operator.
24. Tools shall be inspected periodically to verify that the ratings and markings required by this part of EN ISO 11148 are legibly marked on the tool. The employer/user shall contact the manufacturer to obtain replacement marking labels when necessary.

Safety precautions for projectile hazards

1. Failure of the workpiece, of accessories or even of the inserted tool itself can generate high-velocity projectiles.
2. Always wear impact-resistant eye protection during the operation of the assembly power tool for threaded fasteners. The grade of protection required should be assessed for each use.
3. Ensure that the workpiece is securely fixed.

Safety precautions for entanglement hazards

1. Entanglement hazards can result in choking, scalping and/or lacerations if loose clothing, personal jewellery, neckware, hair or gloves are not kept away from the tool and accessories.
2. Gloves can become entangled with the rotating drive, causing severed or broken fingers.
3. Rotating drive sockets and drive extensions can easily entangle rubber-coated or metal-reinforced gloves.
4. Do not wear loose-fitting gloves or gloves with cut or frayed fingers.
5. Never hold the drive, socket or drive extension.
6. Keep hands away from rotating drives.

Safety precautions for operating hazards

1. The use of the tool can expose the operator's hands to hazards including crushing, impacts, cuts and abrasions and heat. Wear suitable gloves to protect hands.
2. Operators and maintenance personnel shall be physically able to handle the bulk, weight and power of the tool.
3. Hold the tool correctly; be ready to counteract normal or sudden movements and have both hands available.
4. Maintain a balanced body position and secure footing.
5. Release the start-and-stop device in the case of an interruption of the energy supply.
6. Use only lubricants recommended by the manufacturer.
7. Do not use in confined spaces and beware of crushing hands between tool and workpiece, especially when unscrewing.

Safety precautions for repetitive motions hazards

1. When using a power tool, the operator can experience discomfort in the hands, arms, shoulders, neck, or other parts of the body.
2. While using an assembly power tool for threaded fasteners, the operator should adopt a comfortable posture whilst maintaining secure footing and avoiding awkward or off-balanced postures. The operator should change posture during extended tasks, which can help avoid discomfort and fatigue.



3. If the operator experiences symptoms such as persistent or recurring discomfort, pain, throbbing, aching, tingling, numbness, burning sensations or stiffness, these warning signs should not be ignored. The operator should tell the employer and consult a qualified health professional.

Safety precautions for accessory hazards

1. Disconnect the assembly power tool for threaded fasteners from the energy supply before changing the inserted tool or accessory.
2. Do not touch sockets or accessories during impacting, as this increases the risk of cuts, burns or vibration injuries.
3. Use only sizes and types of accessories and consumables that are recommended by the assembly power tool for threaded fasteners manufacturer.
4. Use only impact-wrench-rated sockets in good condition, as poor condition or hand sockets and accessories used with impact wrenches can shatter and become a projectile.

Safety precautions for workplace hazards

1. Slips, trips and falls are major causes of workplace injury. Be aware of slippery surfaces caused by the use of the tool and also of trip hazards caused by the air line or hydraulic hose.
2. Proceed with care in unfamiliar surroundings. Hidden hazards, such as electricity or other utility lines, can exist.
3. The assembly power tool for threaded fasteners is not intended for use in potentially explosive atmospheres and is not insulated against coming into contact with electric power.
4. Make sure there are no electrical cables, gas pipes, etc., that can cause a hazard if damaged by use of the tool.

Safety precautions for dust and fume hazards

1. Dust and fumes generated when using assembly power tools for threaded fasteners can cause ill health (for example, cancer, birth defects, asthma and/or dermatitis); risk assessment and implementation of appropriate controls for these hazards are essential.
2. Risk assessment should include dust created by the use of the tool and the potential for disturbing existing dust.
3. Direct the exhaust so as to minimize disturbance of dust in a dust-filled environment.
4. Where dust or fumes are created, the priority shall be to control them at the point of emission.
5. All integral features or accessories for the collection, extraction or suppression of airborne dust or fumes should be correctly used and maintained in accordance with the manufacturer's instructions.
6. Use respiratory protection in accordance with employer's instructions and as required by occupational health and safety regulations.

Safety precautions for noise hazards

1. Unprotected exposure to high noise levels can cause permanent, disabling, hearing loss and other problems, such as tinnitus (ringing, buzzing, whistling or humming in the ears).
2. Risk assessment and implementation of appropriate controls for these hazards are essential.
3. Appropriate controls to reduce the risk may include actions such as damping materials to prevent workpieces from "ringing".
4. Use hearing protection in accordance with employer's instructions and as required by occupational health and safety regulations.
5. Operate and maintain the assembly power tool for threaded fasteners as recommended in the instruction handbook, to prevent an unnecessary increase in noise levels.
6. If the assembly power tool for threaded fasteners has a silencer, always ensure it is in place and in good working order when the assembly power tool for threaded fasteners is operating.
7. Select, maintain and replace the consumable/inserted tool as recommended in the instruction handbook, to prevent an unnecessary increase in noise.

Safety precautions for vibration hazards

1. Exposure to vibration can cause disabling damage to the nerves and blood supply of the hands and arms.
2. Keep the hands away from the sockets.
3. Wear warm clothing when working in cold conditions and keep your hands warm and dry.
4. If you experience numbness, tingling, pain or whitening of the skin in your fingers or hands, stop using the assembly power tool for threaded fasteners, tell your employer and consult a physician.
5. Operate and maintain the assembly power tool for threaded fasteners as recommended in the instruction handbook, to prevent an unnecessary increase in vibration levels.
6. Do not use worn or ill-fitting sockets or extensions, as this is likely to cause a substantial increase in vibration.
7. Select, maintain and replace the consumable/inserted tool as recommended in the instruction handbook, to prevent an unnecessary increase in vibration levels.
8. Sleeve fittings should be used where practicable.
9. Support the weight of the tool in a stand, tensioner or balancer, if possible.
10. Hold the tool with a light but safe grip, taking account of the required hand reaction forces, because the risk from vibration is generally greater when the grip force is higher.

1. Always shut off air supply, drain hose of air pressure and disconnect tool from air supply when not in use, before changing accessories or when making repairs.
2. Never direct air at yourself or anyone else.
3. Whipping hoses can cause severe injury. Always check for damaged or loose hoses and fittings.
4. Cold air shall be directed away from the hands.
5. Do not use quick-disconnect couplings at tool inlet for impact and air-hydraulic impulse wrenches. Use hardened steel (or material with comparable shock resistance) threaded hose fittings.
6. Whenever universal twist couplings (claw couplings) are used, lock pins shall be installed and whipcheck safety cables shall be used to safeguard against possible hose-to-tool and hose-and-hose connection failure.
7. Do not exceed the maximum air pressure stated on the tool.
8. For torque-control and continuous-rotation tools, the air pressure has a safety critical effect on performance. Therefore, requirements for length and diameter of the hose shall be specified.
9. Never carry an air tool by the hose.



General preparation and connection:

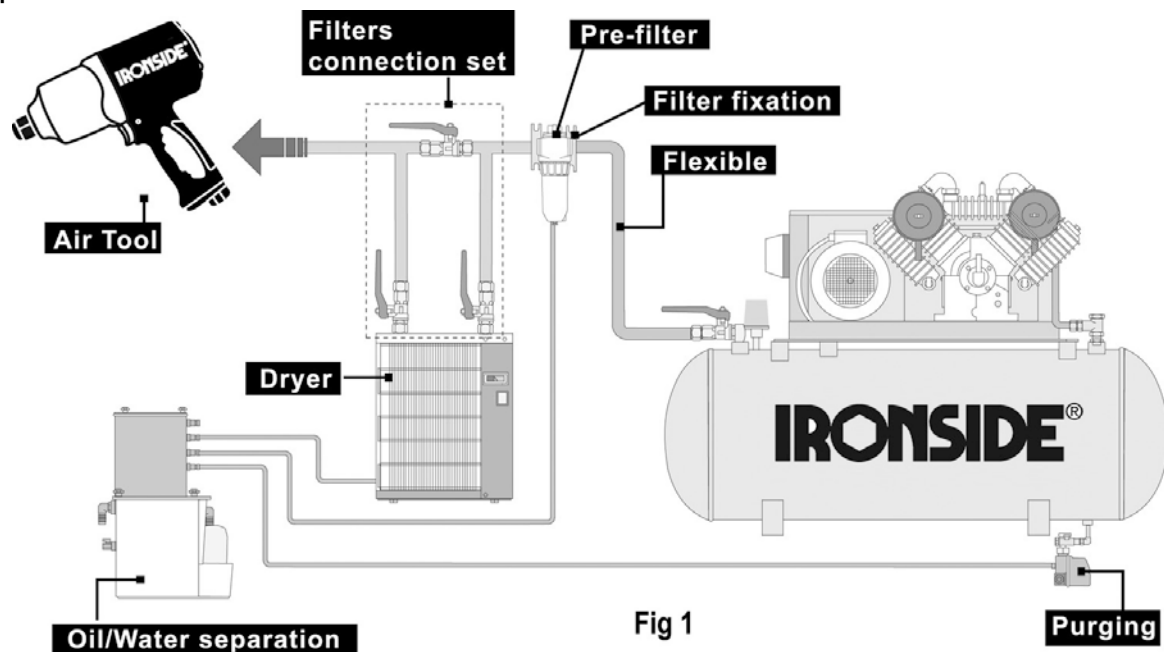


Fig 1

1. When using brand-new air hose or air pipe. Blow and clean the inside of air hose or pipe before installation.
2. Keep inside of air hose or air pipe clean to prevent airdrop problem caused by the lots of drain and dust accumulated and possibly make the inside diameter smaller in the long use.
3. Before connecting the air hose, apply 4 to 5 drops of SAE#10-20 spindle oil at the air inlet. Also, every 3 to 4 hours of operation, oiling is necessary. Twist Teflon thread tape to ensure a proper seal air inlet. Then tighten the air coupler into air tool.
4. The supplied compressed air must be clean and dry, with the appropriate oil mist. Use an air treatment unit; filter, regulator and lubricator.
5. Please refer Fig.1 illustration shows the correct mode of connection to the air supply system which will increase the efficiency and useful life of the tool.
6. The quick connect coupling and hose must have sufficient air flow capacity. We recommend an air hose with a diameter of 10mm (3/8").
7. To ensure a good performance. The operation pressure at the compressed air inlet should not exceed 6.2bar (90psi) (unless indicated otherwise). Higher operating pressures may cause damaged or excessive wear. Operating pressures below 5.3bar may cause pressure or power loss.

Risk of injury

1. Compressed air can inflict serious injuries. Therefore, never point the air hose at another person or yourself.
2. Shut – off the air supply and disconnect the tool in case:
 - You want to change or replace accessories.
 - You want to clean, repair or maintain the tool.
 - The tool is not going to use for some times.
3. Check compressed air hose before use. If it is damaged, broken, torn, or deformed, the hose is not to be connected to the tool.
4. Always check the pneumatic couplings before using the tool. If they show signs of damage, fracture, cracking or excessive corrosion, the respective tool or the air hose is not to be used.
5. Use only qualified adapters and connectors, In case of wear they are to be replaced immediately.
6. Only use air pipes that are fit for the use at maximum pressure.

Maintenance instruction:

1. Dry the filter (fig1) and the air inlet of the tool.
2. Lubricate the quick connect coupling to prevent blocking.
3. Air tool require lubrication throughout the life of the tool. The air motor and bearing uses compressed air to start the tool. The moisture in compressed air will rust the air motor; you must lubricate the motor daily.
4. Avoid storing the tool in a location subject to high humidity. If the tool is left as it is used, the residual moisture inside the tool can cause rust.
5. Before storage, lubricate tool and run it for a few seconds.
6. Regular inspection of spindles, threads, and clamping devices in respect of wear and tolerances for location of abrasive products.
7. If the tool is too seriously damage to be used anymore, recycle raw material instead of disposing as waste. The machine, accessories and packaging should be sorted for environmental-friendly recycling. Check with your local authority or retailer for recycling advice.



Läs säkerhetsanvisningarna innan du använder denna produkt. Spara anvisningarna för senare bruk.

Verktyget har tillverkats i överensstämmelse med anvisningarna i EU:s maskindirektiv. EU-märkningen upphävs om produkten repareras av en obehörig person, om delar som inte är originaldelar används och om säkerhetsanvisningarna i denna bruksanvisning inte följs.

Ironsider International ansvarar inte för direkta eller indirekta följskador.

Allmänna säkerhetsregler:

1. Verktyget ska hela tiden bevakas när det används.
2. Personer som är påverkade av alkohol eller droger får inte använda, reparera eller underhålla verktyget.
3. Håll obehöriga personer, barn m.m. på avstånd från verktyget.
4. Arbetsplatsen ska hållas ren och måste vara tillräckligt upplyst av dagsljus eller artificiell belysning. Håll ordning på arbetsplatsen där verktyget används. Oordning kan i hög grad bidra till olyckor.
5. Explosionsrisk. Använd aldrig syre eller brandfarliga gaser som laddluft för verktyget eftersom de kan antändas av en gnista och orsaka brand eller explosion.
6. Använd aldrig bensin eller andra lättantändliga vätskor för att rengöra verktyget.
7. Pneumatiska handverktyg får inte användas i potentiellt explosiva atmosfärer, t.ex. i närheten av lättantändliga vätskor, lösningsmedel, flytande energigas eller lagrade gaser.
8. Pneumatiska handverktyg får inte utsättas för regn. Pneumatiska handverktyg får inte användas i fuktiga eller våta utrymmen.
9. När ett fel eller ett avbrott upptäcks måste verktyget omedelbart kopplas från laddluften och lämnas in för reparation.
10. Förvara verktyget torrt när det inte används, antingen inlåst eller högt placerat utom räckhåll för barn.
11. Använd inte små pneumatiska handverktyg till arbeten som kräver kraftigare verktyg. Pneumatiska handverktyg får endast användas för avsedda ändamål.
12. Använd lämpliga öronskydd vid en ljudnivå på > 80dB(A). Använd skyddsglasögon när du använder verktyget. Använd alltid godkända skyddsglasögon vid arbete i en dammig miljö. Detta gäller även andra personer i närheten.
13. Använd inte löst sittande kläder eller smycken. De kan fångas upp av rörliga delar. Gummihandskar och halksäkra skor rekommenderas vid utomhusarbete. Använd täckande hårskydd för att hålla undan långt hår.
14. Se till att du alltid har fotfäste och håller balansen.
15. Använd klämmor eller ett skruvståd för att hålla fast arbetsstycket. Det är säkrare än att använda handen. Du behöver båda händer för att använda det pneumatiska handverktyget.
16. Koppla bort verktyget från kompressorn innan du utför service eller byter tillbehör.
17. Bär inte det pneumatiska handverktyget med fingret på avtryckaren när det är inkopplat. Se till att strömbrytaren är i OFF-läge när det kopplas till laddluften.
18. Var uppmärksam på vad du gör. Använd sunt förnuft, korriger osäkra situationer och stå med kroppen i balans, framför allt när du är trött.
19. Luftdrivna handverktyg kan vibrera vid användning. Vibrationer, upprepade rörelser eller obekväma ställningar kan skada händer och armar. Sluta använda verktyget om du känner obehag, stickningar eller smärta. Kontakta läkare innan du fortsätter använda verktyget.
20. Flera faror föreligger. Du ska läsa igenom och förstå säkerhetsanvisningarna innan du installerar, använder, reparerar, underhåller, byter tillbehör på eller arbetar i närheten av skruv- och mutterdragare. Om du inte gör detta kan allvarliga kroppsskador bli följden.
21. Endast kvalificerade och utbildade operatörer får installera, ställa in eller använda skruv- och mutterdragaren.
22. Andra inte denna skruv- och mutterdragare. Ändringar kan minska säkerhetsåtgärdernas effektivitet och öka risken för användaren.
23. Släng inte säkerhetsanvisningarna – ge dem till användaren.
24. Verktyg ska gås igenom periodiskt för att kontrollera att nödvändiga uppgifter enligt ISO 11148 finns tydligt märkta på verktyget. Arbetsgivaren/användaren ska kontakta tillverkaren för att vid behov få nya etiketter.

Säkerhetsåtgärder för att förebygga risken för projektiler

1. Fel på arbetsstycke, tillbehör eller själva insatsverktyget kan ge upphov till projektiler i hög hastighet.
2. Använd alltid stötsäkra skyddsglasögon när du använder skruv- och mutterdragaren. Grad av skydd måste bedömas för varje användning.
3. Se till att arbetsstycket sitter ordentligt fast.

Säkerhetsåtgärder för att förebygga risken för att sno in sig

1. Risken att sno in sig kan leda till kvävning, skalpering och/eller sönderslitning kan inträffa om löst sittande kläder, smycken, halsdukar, sjalar, hår eller handskar inte hålls på avstånd från verktyg och tillbehör.
2. Handskar kan fastna i den roterande drivenheten och leda till att fingrar bryts av.
3. Hylsor för rotationsdrift och styrförlängningar kan låta fastna i handskar med gummibeläggning eller metallförstärkning.
4. Använd inte löst sittande handskar eller handskar med rännor eller nötta fingrar.
5. Håll aldrig i styrning, hylsor och styrförlängning.
6. Håll händerna på avstånd från den roterande drivenheten.

Säkerhetsåtgärder för att förebygga risker vid användandet

1. Vid användningen av verktyget kan användarens händer utsättas för risker t.ex. krossning, stötar, skärsår, skrubbsår och hetta. Skydda händerna med lämpliga handskar.
2. Användare och underhållspersonal ska ha tillräcklig fysisk förmåga för att hantera verktygets omfång, vikt och kraft.
3. Håll verktyget på rätt sätt och var redo att motverka normala eller plötsliga rörelser. Ha båda händerna tillgängliga.
4. Se till att du står med kroppen i balans och har bra fotfäste.
5. Frigör start- och stoppanordningen vid strömavbrott.
6. Använd endast de smörjmedel som rekommenderas av tillverkaren.
7. Får inte användas i trånga utrymmen. Se till att inte krossa händerna mellan verktyget och arbetsstycket, framför allt vid uppskruvning.

Säkerhetsåtgärder för att förebygga risker förknippade med repetitiva rörelser

1. När ett maskindrivet verktyg används kan användaren känna obehag i händer, armar, axlar, nacke och andra kroppsdelar.
2. När operatören använder en skruv- och mutterdragare ska han eller hon se till att stå i en bekväm ställning, ha bra fotfäste och ha kroppen i balans. Användaren bör ofta ändra ställning under långvariga arbeten för att undvika obehag och trötthet.



3. Om operatören får symptom som ihållande eller återkommande obehag, smärta, dunkande huvud, stickningar, känslolöshet, brännande känsla eller stelhet, ska dessa varningssignaler tas på allvar. Användaren bör tala med arbetsgivaren och kontakta kvalificerad vårdpersonal.

Säkerhetsåtgärder för att förebygga åtföljande risker

1. Koppla ur skruv- och mutterdragaren från strömförsörjningen innan du byter insatsverktyg eller tillbehör.
2. Vidrör inte hylsor eller tillbehör under momentet eftersom detta kan öka risken för skärsår, brännskador och vibrationsskador.
3. Använd endast tillbehör och förbrukningsvaror av typer och storlekar som rekommenderas av skruv- och mutterdragarens tillverkare.
4. Använd endast hylsor i gott skick av mutterdragarkvalitet eftersom hylsor av sämre kvalitet och manuella hylsor och tillbehör som används med mutterdragare kan splittras och förvandlas till projektiler.

Säkerhetsåtgärder för att förebygga risker på arbetsplatsen

1. Viktiga orsaker till skador på arbetsplatsen är att man halkar, snubblar och faller. Var medveten om att användningen av verktyget kan ge hala ytor och att luftledningar och hydraulslangar kan leda till en risk att man snubblar.
2. Var försiktig i obekanta omgivning. Det kan finnas dolda risker t.ex. elledningar eller andra typer av ledningar.
3. Denna skruv- och mutterdragare är inte avsett för användning i potentiellt explosionsfarliga miljöer och är inte isolerad mot att komma i kontakt med elkraft.
4. Se till att det inte finns elkablar, gasrör m.m. som kan skadas av verktyget och innebära en fara.

Säkerhetsåtgärder för att förebygga damm- och rökrisker

1. Damm och rök som skapas när skruv- och mutterdragaren används är en hälsofara (t.ex. cancer, medfödda missbildningar, astma och/eller hudsjukdomar). Det är viktigt att göra riskbedömningar av dessa faror och införa lämpliga kontroller.
2. Riskbedömningen bör omfatta det damm som skapas av verktyget och möjligheten att det förekommer befintligt störande damm.
3. Rikta utsuget så att dammet stör så lite som möjligt i en dammig miljö.
4. När damm eller rök skapas ska kontrollen av dessa prioriteras vid utströmningsspunkten.
5. Alla väsentliga funktioner eller tillbehör för insamling, utsug eller bekämpande av luftburet damm och rök ska användas och underhållas på rätt sätt i enlighet med tillverkarens anvisningar.
6. Använd andningsskydd enligt arbetsgivarens anvisningar eller enligt kraven i bestämmelserna om hälsa och säkerhet på arbetsplatsen.

Säkerhetsåtgärder för att förebygga bullerrisker

1. Exponering för höga bullernivåer kan orsaka permanent hörselnedsättning och andra problem som t.ex. tinnitus (ringande, surrande, visslande eller hummande ljud i öronen).
2. Det är viktigt att göra en riskbedömning och införa lämpliga kontroller.
3. Lämpliga kontroller för att minska risken kan omfatta ljuddämpande material för att hindra arbetsstyckena från att "ljuda".
4. Använd hörselskydd enligt arbetsgivarens anvisningar eller enligt kraven i bestämmelserna om hälsa och säkerhet på arbetsplatsen.
5. Använd och sköt pressverktyget för gängade fästelement på det sätt som rekommenderas i bruksanvisningen för att förhindra en onödig ökning av bullernivån.
6. Om pressverktyget för gängade fästelement har en ljuddämpare, se till att denna alltid sitter på plats och är i funktionsdugligt skick när verktyget används.
7. Välj, sköt och byt förbrukningsvara/insatsverktyg på det sätt som rekommenderas i bruksanvisningen för att förhindra en onödig ökning av bullret.

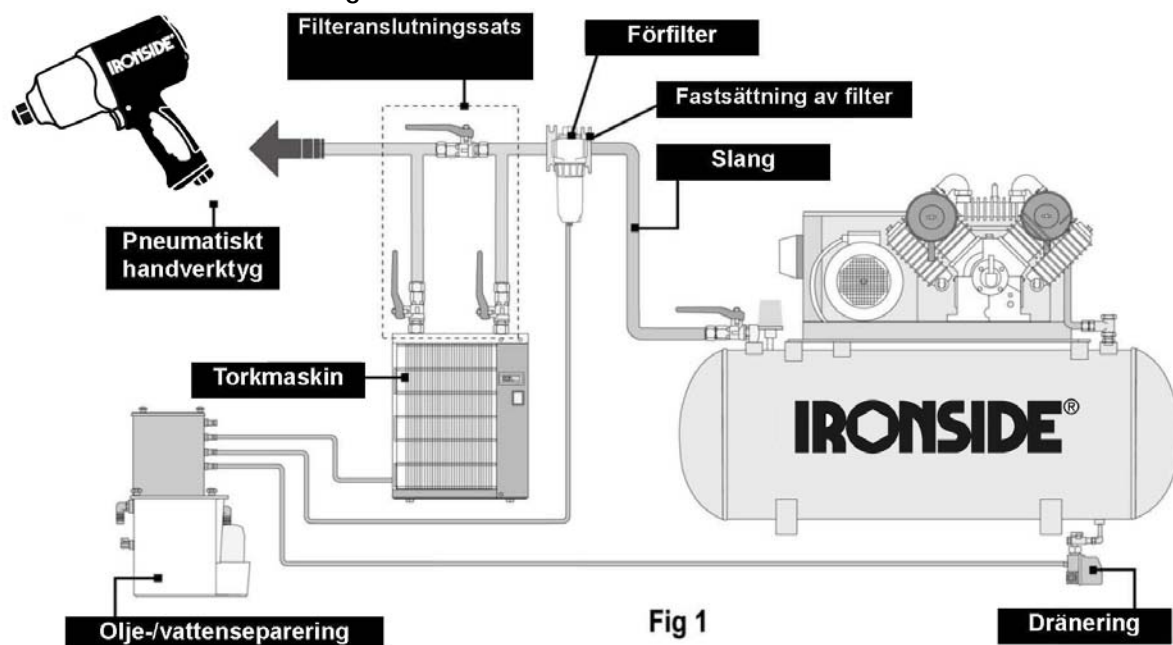
Säkerhetsåtgärder för att förebygga vibrationsrisker

1. Exponering för vibrationer kan orsaka nervskador och försämra blodtillförseln till händer och armar.
2. Håll händerna på avstånd från hylsorna
3. Använd varma kläder när du arbetar under kalla förhållanden. Håll händerna varma och torra.
4. Om du känner att fingrarna eller händerna domnar bort, om du känner stickningar, smärta eller om huden vitnar på fingrar eller händer, ska du sluta använda det maskindrivna pressverktyget för gängade fästelement. Tala med din arbetsgivare och kontakta en läkare.
5. Använd och sköt pressverktyget för gängade fästelement på det sätt som rekommenderas i bruksanvisningen för att förhindra en onödig ökning av vibrationsnivåerna.
6. Använd inte slitna eller dåligt anpassade hylsor eller förlängningar eftersom detta i hög grad ökar vibrationerna.
7. Välj, sköt och byt förbrukningsvara/insatsverktyg på det sätt som rekommenderas i denna bruksanvisning för att förhindra en onödig ökning av vibrationsnivåerna.
8. Hylskopplingar ska användas när detta är praktiskt möjligt.
9. Låt om möjligt en ställning, förspänningsanordning eller dämpare bära upp verktygets vikt.
10. Håll verktyget i ett lätt men stadigt grepp med hänsyn till den nödvändiga manuella reaktionskraften, eftersom risken för vibrationer i regel är större med högre greppkraft.

1. Stäng alltid av laddluften, tryckluftens dräneringsslang och koppla bort verktyget från laddluften när det inte används, innan du laddar tillbehör och vid reparationer.
2. Rikta aldrig tryckluften direkt mot dig själv eller mot någon annan.
3. Piskande slangar kan orsaka allvarliga skador. Kontrollera alltid att inga slangar eller kopplingar är skadade eller sitter lösa.
4. Kall luft ska riktas bort från händerna.
5. Använd inte snabburkopplande kopplingar vid verktygsöppningen för mutterdragare och lufthydrauliska skruvdragare. Använd slangkopplingar med gångor av härdat stål (eller material med jämförbar slaghållfasthet).
6. När universella vridkopplingar (klokopplingar) används, ska låsstift monteras och säkerhetskablar som inte piskar användas för att skydda mot kopplingsfel mellan slang och verktyg samt mellan slang och slang.
7. Högsta lufttrycket som anges på verktyget får inte överskridas.
8. För verktyg med vridmomentskontroll och för kontinuerlig rotation har tryckluften en säkerhetskritisk effekt. Därför ska längd- och diameterkrav på slangen specificeras.
9. Bär aldrig ett pneumatiskt handverktyg i slangen.



Allmänna förberedelser och anslutning:



1. När en helt ny tryckluftsslang eller ett nytt tryckluftsrör används. Blås och rengör insidan av tryckluftsslangen eller röret före installation.
2. Håll insidan av tryckluftsslangen eller tryckluftsröret rena för att förhindra tryckluftsfall pga. ansamlade bottensatser och damm, som kan förminska innerdiametern vid långvarig användning.
3. Lägg på 4–5 droppar spindelolja SAE#10-20 vid luftinloppet innan du ansluter luftslangen. Dessutom krävs smörjning var 3e till var 4e timme. Använd gängtejpen Twist Teflon för att tätat luftinloppet. Dra sedan åt skarvdonet i det pneumatiska handverktyget.
4. Tryckluften som laddas, med lämplig oljeånga, måste vara ren och torr. Använd en luftbehandlingsenhet med filter, regulator och smörjare.
5. Se figur 1. Bilden visar hur laddluftssystemet ansluts på rätt sätt för att öka verktygets effektivitet och livslängd.
6. Snabbkopplingen och slangen måste ha tillräcklig luftgenomströmningskapacitet. Vi rekommenderar en luftslang med en diameter på 10 mm (3/8").
7. För att säkra god prestanda, får driftrycket vid luftinloppet inte överstiga 6,2 bar (90 psi) (såvida annat inte anges). Högre driftryck kan orsaka skador eller överdrivet slitage. Driftryck under 5,3 bar kan orsaka tryck- eller effektförlust.

⚠ Skaderisk

1. Tryckluft kan vålla allvarliga skador. Därför får du aldrig rikta luftslangen mot dig själv eller någon annan.
2. Stäng av laddluften och koppla ur verktyget om:
 - du vill byta eller ersätta tillbehör.
 - du vill rengöra, reparera eller underhålla verktyget.
 - verktyget inte kommer att användas under en längre tid.
3. Kontrollera tryckluftsslangen före användning. Om den är skadad, trasig, sönder eller deformerad får slangen inte anslutas till verktyget.
4. Kontrollera alltid tryckluftsanslutningarna innan du använder verktyget. Om de visar tecken på skador, sprickor eller överdriven korrosion, får verktyg eller luftslangen inte användas.
5. Använd endast lämpliga adaptrar och kopplingar. Vid slitage ska de omedelbart bytas ut.
6. Använd endast luftrör som är lämpliga för användning vid maxtryck.

Underhållsanvisningar:

1. Torka av verktygets filter (fig. 1) och luftinlopp.
2. Smörj snabbkopplingen för att förhindra blockering.
3. Pneumatiska handverktyg kräver smörjning under verktygets hela livslängd. Tryckluftsmotorn och lagret använder tryckluft för att starta verktyget. Fukten i tryckluften gör att tryckluftsmotorn rostar. Motorerna måste smörjas dagligen.
4. Undvik att förvara verktyget på en plats med hög fuktighet. Om verktyget lämnas som det är efter användning kan restfuktigheten inuti verktyget göra att det rostar.
5. Innan du lägger undan verktyget för förvaring ska det smörjas och köras i några sekunder.
6. Spindlar, gängor och låsninganordningar ska inspekteras regelbundet med avseende på slitage och toleranser.
7. Återvinn råmaterial om verktyget är för allvarligt skadat för att användas istället för att slänga det som avfall. Maskinen, tillbehören och förpackningen ska sorteras ut för miljövänlig återvinning. Kontakta lokala myndigheter eller återförsäljaren för råd om återvinning.



Lue kaikki turvaohjeet ennen tämän tuotteen käytön aloittamista ja pidä ohjeet tallella.

Tämä työväline on valmistettu EU-konodirektiivin ohjeiden mukaan. EU-merkintä raukeaa, jos laitteelle tehdään asiantuntemattomia korjauksia, siinä käytetään muita kuin alkuperäisiä osia ja jos valmistajan oppaan turvaohjeita ei noudateta.

Ironside International ei ota vastuuta mahdollisista suorista tai epäsuorista seuraamuksellisista vahingoista.

Yleiset turvaohjeet:

25. Pidä työkalu aina näkökentässä työskennellessäsi.
26. Alkoholin tai huumeiden vaikutuksen alaisena olevat henkilöt eivät saa käyttää, korjata tai huoltaa työvälinettä.
27. Pidä asiaa tuntemattomat ja epäpätevät henkilöt, lapset yms. henkilöt poissa työvälineen luota.
28. Pidä työalue puhtaana ja varmista riittävä päivänvalo tai keinovalo. Koneen käyttöalueen tulee olla puhdas. Epäjärjestys voi aiheuttaa onnettomuuksia.
29. Räjähdysvaara. Älä koskaan käytä happea tai helposti syttyviä kaasuja koneen paineilmansyöttönä, ne voivat syttyä palamaan kipinän takia ja aiheuttaa tulipalon tai räjähdysen.
30. Älä koskaan käytä bensiiniä tai tulenarkoja nesteitä puhdistamaan työkalua.
31. Älä koskaan käytä paineilmatyökaluja mahdollisissa räjähdysilmakehissä, kuten helposti syttyvien nesteiden, puhdistusliuosten, polttonesteiden tai varastoitujen kaasujen lähellä.
32. Älä altista paineilmatyövälineitä sateelle. Älä käytä paineilmatyövälineitä kosteissa tai märissä olosuhteissa.
33. Jos havaitset vian tai häirion, työväline täytyy välittömästi irrottaa sähkönsyötöstä ja se on palautettava korjattavaksi.
34. Kun työväline ei ole käytössä, sitä on säilytettävä kuivassa paikassa, joko lukittuna tai korkealla poissa lasten ulottuvilta.
35. Älä pakota pieniä paineilmatyövälineitä raskaissa tehtävissä. Älä käytä paineilmatyövälinettä muissa kuin sille suunnitelluissa käyttötarkoituksissa.
36. Käytä sopivia kuulosuojaimia ympäristössä, jonka melutaso on >80dB(A) sekä suojalaseja aina käyttäessäsi työvälinettä. Käytä aina suojalaseja pölyisissä töissä. Tämä koskee myös muita lähellä olevia henkilöitä.
37. Älä käytä löysiä vaatteita tai koruja. Ne voivat takertua liikkuviin osiin. Ulkona työskennellessä on syytä käyttää kumikäsineitä ja liukastumista estäviä jalkineita. Käytä hiussuojausta sitoaksesi pitkät hiukset.
38. Säilytä aina tukevat jalansijat ja tasapaino.
39. Käytä kiinnittimiä tai ruuvipuristimia pitelemään työstökappaletta. Se on turvallisempaa kuin käsien käyttäminen ja voit pitää molemmat kädet vapaina käyttämään paineilmatyökalua.
40. Irrota paineilmatyöväline ilmakompressorista, kun työväline ei ole käytössä, sille tehdään huoltoa tai sen lisävarusteita vaihdetaan.
41. Älä kanna ilmanlähteeseen liitettyä paineilmatyövälinettä pitäen sormeja sen liipaisinkytkimellä. Varmista, että kytkin on "OFF"-asennossa, kun kytket paineilman syötön.
42. Katso, mitä teet. Käytä tervettä järkeä, myös riskialttiissa tilanteessa tai epätasapainossa, erityisesti, kun olet väsynyt.
43. Paineilmatyövälineet voivat tärinästä käytössä. Tärinä, toistuvat liikkeet ja epämukava asento voi olla haitallista käsille ja käsivarsille. Lopeta työvälineen käyttö, jos tunnet epämukavuutta, pistelyä tai kipua. Käänny lääkärin puoleen ennen käytön jatkamista.
44. Erinäisten vaarojen osalta on luettava ja ymmärrettävä turvaohjeet ennen asennusta, käyttöä, korjausta, huoltoa, lisävarusteen vaihtoa tai työskentelyä ruuvin- ja mutterinvääntimen lähellä. Jos näin ei toimita, seurauksena voi olla vakavia ruumiinvammoja.
45. Vain pätevät ja koulutetut henkilöt saavat asentaa, säätää tai käyttää ruuvin- ja mutterinvääntimiä.
46. Älä muuta tätä ruuvin- ja mutterinvääntintä. Muutokset voivat heikentää turvatoimien tehokkuutta ja lisätä käyttäjän riskejä.
47. Älä hävitä turvaohjeita, anna ne käyttäjälle.
48. Työväline on tarkistettava säännöllisesti, jotta voidaan varmistaa, että EN ISO 11148-vaatimuksen tämän osan edellyttämät merkinnät ja vaatimukset on merkitty selvästi työvälineelle. Työnantajan/käyttäjän tulee ottaa yhteyttä valmistajaan saadakseen korvaavia merkintälaattoja/tarroja tarvittaessa.

Turvaohjeita sinkoilevia esineitä vastaan

4. Työstettävän kappaleen, lisävarusteen tai liitetyn työvälineen vika voi saada kappaleita sinkoamaan suurella nopeudella.
5. Käytä aina vankkoja iskunestäviä suojalaseja käyttäessäsi ruuvin- ja mutterinvääntintä. Kullekin käytölle on arvioitava tarvittava suojausaste.
6. Varmista, että työstettävä kappale on kiinnitetty turvallisesti.

Turvaohjeita takertumisvaaroja vastaan

7. Takertumisvaarat voivat aiheuttaa sen, tukehtuminen, hiusten takertuminen ja/tai vammautuminen voi olla seurauksena, jos löysiä vaatteita, koruja, kaulahuiveja, hiuksia tai käsineitä ei pidetä loitolla työvälineestä ja sen lisävarusteista.
8. Käsineet voivat takertua pyörivään laitteeseen ja vahingoittaa tai katkaista sormia.
9. Pyörivät käyttöistukat ja käyttöjatkokset voivat takertua helposti kumipäällysteisiin tai metallivahvisteisiin käsineihin.
10. Älä käytä löysiä vaatteita tai käsineitä, joissa on repeämiä tai rispaantuneita sormia.
11. Älä koskaan pidä kiinni käyttölaitteesta, istukasta tai käyttöjatkeesta.
12. Pidä kädet poissa pyörivistä vetolaitteista.

Turvaohjeita käyttövaaroja vastaan

8. Näiden työvälineiden käyttö voi altistaa käyttäjän kädet vaaroille, mm. murskaantumiseksi, iskuille, viilloille ja hankauksille. Käytä sopivia käsineitä suojaamaan käsiäsi.
9. Käyttäjän ja huoltohenkilöstön täytyy fyysisesti pystyä käsittelemään työkalun kokoa, painoa ja tehoa.
10. Pitele työvälinettä oikein ja ole valmis vastaamaan normaaleihin ja äkkinäisiin liikkeisiin, pidä molemmat kädet käyttövalmiina.
11. Pidä vartalosi tasapainossa varmista jalansijat.
12. Vapauta käynnistys/sammutusvalitsin, jos energiansyöttö katkeaa.
13. Käytä vain valmistajan suosittelamia voiteluaineita.
14. Älä käytä ahtaissa filoissa ja varo, että kädet eivät puserru työvälineen ja työstökappaleen väliin erityisesti kierrettäessä auki.



Turvaohjeita toistuvien liikkeiden vaaroja vastaan

4. Käyttäessään sähkötyökaluja käyttäjä voi tuntea epämukavuutta käsissä, käsivarsissa, hartioissa, niskassa tai muissa kehonosissa.
5. Kun käytät ruuvin- ja mutterinväännintä, käyttäjän täytyy ottaa mukava asento ja tukeva jalansija ja välttää hankalia asentoja huonossa tasapainossa. Käyttäjän tulee vaihtaa asentoa pitkien toimenpiteiden aikana voidakseen välttää epämukavuutta ja väsymistä.
6. Jos käyttäjä kokee sellaisia oireita, kuten toistuvaa epämukavuutta, kipua, sykettä, särkyä, pistelyä, tunnottomuutta, polttavaa tunnetta tai jäykkyyttä, näitä oireita ei saa jättää vaille huomioita. Käyttäjän tulee kertoa asiasta työnantajalle ja kääntyä lääkärin puoleen.

Turvaohjeita lisävarusteiden vaaroja vastaan

5. Irrota ruuvin- ja mutterinväännin energianlähteestä ennen asennetun työkalun tai lisävarusteen vaihtamista.
6. Älä koske istukoihin tai lisävarusteisiin iskukäytön aikana, sillä se lisää riskiä saada haavoja, palovammoja tai tärinävammoja.
7. Käytä sellaisia lisävarusteiden ja kulutustavaroiden kokoja ja tyyppisiä, joita ruuvin- ja mutterinvääntimen valmistaja suosittelee.
8. Käytä vain iskutyökoneelle sopivia hyväkuntoisia istukoita, sillä huonokuntoiset tai käsikoneiden istukat ja lisävarusteet iskuvääntimissä voivat murtua ja sinkoutua.

Turvaohjeita työpaikan vaaroja vastaan

5. Liukastumiset, kompastumiset ja kaatumiset ovat tärkeimpiä työtapaturmien aiheuttajia. Varo työvälineen käytön aiheuttamia liukkaita pintoja ja ilma- ja hydrauliletkujen aiheuttamia kompastumisvaaroja.
6. Toimi varoen vieraassa ympäristössä. Siellä saattaa olla piileviä vaaroja, kuten sähkölinjoja ja muita vastaavia linjoja.
7. Ruuvin- ja mutterinväännintä ei ole tarkoitettu käytettäväksi mahdollisissa räjähdysilmakehissä eikä niitä ole eristetty sähkövirran kontaktilta.
8. Varmista, että kohteessa ei ole sähköjohtoja, kaasuputkia jne. jotka voivat aiheuttaa vaaroja, jos ne vahingoittuvat käytettäessä työvälinettä.

Turvaohjeita pölyn ja savun vaaroja vastaan

7. Käyttäessä ruuvin- ja mutterinväännintä muodostuva pöly ja savu voi haitata terveyttä (esim. aiheuttaa syöpää, epämuodostumia syntyville lapsille, astmaa ja/tai ihottumaa), nämä vaarat edellyttävät riskinarviointia ja asianmukaisen kontrollin käyttöä.
8. Riskin arvioinnissa tulee ottaa huomioon työvälineen käytössä syntynyt pölyn sekä olemassa olevan pölyn mahdolliset haitat.
9. Suuntaa poisto siten, että minimoit pölyhaitat pölyisissä ympäristöissä.
10. Pölyn ja savun muodostuessa ensisijalle tulee asettaa niiden kontrolli niiden syntymäpaikassa.
11. Kaikkia integroituja toimintoja tai lisävarusteita ilmassa leijuvan pölyn tai savun keräämiseksi, poistamiseksi tai hävittämiseksi on käytettävä ja huolettava oikein valmistajan ohjeiden mukaan.
12. Käytä työnantajasi suosittelemaa tai työsuojelulainsäädännön ja turvamääräysten vaatimia hengityssuojalaitteita.

Turvaohjeita meluhaittoja vastaan

8. Altistuminen korkealle melutasolle ilman suojausta voi aiheuttaa pysyvää ja vammauttavaa kuulon menetystä ja muita ongelmia, kuten tinnitystä (korvien soimista, vihellystä tai huminaa).
9. Näiden vaarojen osalta riskinarviointi ja asianmukaisten kontrollitoimien käyttöönotto on ehdottoman tärkeää.
10. Asianmukaiseen riskien vähentämisen kontrolliin kuuluu sellaisia toimia, kuten materiaalin vaimentaminen, jotta työstettävä kappale ei "soi".
11. Käytä työnantajasi suosittelemaa tai työsuojelulainsäädännön ja turvamääräysten vaatimaa kuulosuojainlaitetta.
12. Käytä ja huolla ruuvin- ja mutterinväännintä käsikirjan ohjeiden mukaan välttääksesi tärinän tason tarpeettoman nousun.
13. Jos ruuvin- ja mutterinvääntimessä on vaimennin, on varmistettava, että se on aina paikoillaan ja hyvässä käyttökunnossa, kun ruuvin- ja mutterinväännin on käytössä.
14. Valitse, huolla ja vaihda kulutustavarat/asennettu työväline tässä oppaassa kuvatulla tavalla, jotta vältät melun tarpeettoman muodostumisen.

Turvaohjeita tärinän vaaroja vastaan

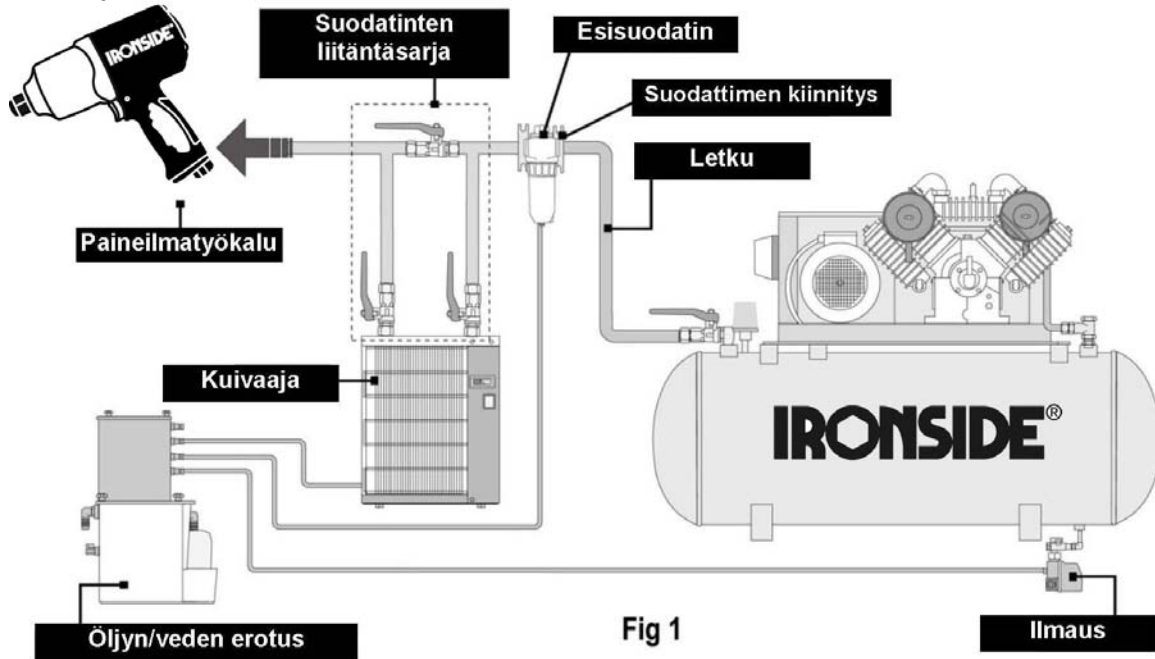
11. Tärinälle altistuminen voi aiheuttaa vammoja käsien ja käsivarsien hermoille ja verisuonille.
 12. Pidä kädet poissa istukoiden luota.
 13. Käytä lämpimiä vaatteita, kun työskentelet kylmissä olosuhteissa ja pidä kätesi lämpiminä ja kuivina.
 14. Jos tunnet käsissä tai sormissa tunnottomuutta, nipistelyä, kipua tai valkoisuutta, lopeta ruuvin- ja mutterinvääntimen käyttö ja kerro asiasta työnantajallesi tai käänny lääkärin puoleen.
 15. Käytä ja huolla ruuvin- ja mutterinväännintä käsikirjan ohjeiden mukaan välttääksesi melutason tarpeettoman nousun.
 16. Älä käytä kuluneita tai huonosti sopivia istukoita tai jatkeita, sillä se lisää merkittävästi tärinää.
 17. Valitse, huolla ja vaihda kulutustavarat/asennettu työväline tässä oppaassa kuvatulla tavalla, jotta vältät tarpeettoman tärinätason nousun.
 18. Jos mahdollista on syytä käyttää holkkiiliitäntöjä.
 19. Tue työvälineen paino tuelle, jännittimelle tai tasapainottimelle, jos mahdollista.
 20. Pittele työvälinettä kevyellä, mutta tulevalla otteella ota huomioon käden tarvittava reaktiivoima, koska tärinästä aiheutuva riski on yleensä korkeampi, kun puristusvoima on korkeampi.
-
10. Katkaise aina ilmansyöttö, vapauta letkun paine ja irrota työväline ilmansyötöstä, kun se ei ole käytössä, ennen lisävarusteiden vaihtoa tai tehdessäsi korjauksia.
 11. Älä koskaan suuntaa ilmaa suoraan itseesi tai muihin.
 12. Piiskaavat letkut voivat aiheuttaa vakavia vammoja. Tarkista aina, että letkut ja liittimet eivät ole vahingoittuneet tai löystyneet.
 13. Kylmä ilman on suunnattava pois käsistä.
 14. Älä käytä pikaliitäntöjä impulssivääntimien ja ilma-hydrauli-impulssivääntimien työkaluliitäntöissä. Käytä kovateräksestä (tai vastaan iskunkestävyyden tarjoavaa materiaalia) valmistettuja letkunliitäntöjä.
 15. Käytettäessä yleisiä kiertoliitäntöjä (leukaliitäntä) on asennettava lukitustapit ja turvavaijereita on käytettävä suojaamaan mahdollisilta työvälineen ja letkun ja letkujen välisen liitäntän aukeamista.
 16. Älä ylitä työvälineellä ilmoitettua maksimi-ilmanpainetta.
 17. Momentinkontrollin ja jatkuvasti pyörivien työvälineiden osalta ilmanpaine on käyttöturvallisuuden kannalta kriittinen tekijä. Tästä syystä



letkun pituus ja halkaisija määritellään.

8. Älä koskaan kanno paineilmatyövälinettä letkusta.

Yleinen valmistelu ja liittäminen:



8. Käytä aina aivan uusia ilmaletkuja tai ilmaputkia. Puhalla ja puhdista ilmaletkun tai ilmaputken sisäpuoli ennen käyttöä.
9. Pidä ilmaletkun tai -putken sisusta puhtaana, jotta vältät ilmanpaineen laskun ongelmia, jotka johtuvat veden ja pölyn kertymisestä ja voivat aiheuttaa halkaisijan supistumisen.
10. Ennen ilmaletkun kiinnittämistä on laitettava 4 - 5 tippaa SAE#10-20 karaöljyä ilman sisääntuloon. Voitelu öljyllä tulee tehdä 3-4 käyttötunnin välein. Kierrä Teflon-nauhateippiä varmistaaksesi, että ilman sisääntulo on tiivistetty kunnolla. Kiristä sitten ilmanliitin ilmatyökaluun.
11. Toimitettavan paineilman tulee olla puhdasta ja kuivaa sopivalla öljysummalla. Käytä ilmankäsittely-yksikköä: suodatinta, säätelijää ja voitelijää.
12. Katso kuvasta 1 oikean liitäntätapa ilmansyöttöjärjestelmään, mikä parantaa työvälineen tehoa ja pidentää sen käyttöikää.
13. Pikaliittimen ja letkun kapasiteetin täytyy vastata virtaamaa. Suosittelemme ilmaletkua, jonka halkaisija on 10 mm (3/8").
14. Varmista hyvä teho. Paineilman tuloon käyttöpaine ei saa olla yli 6,2 baaria (90psi) (ellei muuta ilmoiteta). Korkea käyttöpaine voi vahingoittaa tai kuluttaa laitetta liikaa. Jos käyttöpaine on alle 5,3 baaria, paine- tai teho voi hävitä.



Loukkaantumisvaara

7. Paineilma voi aiheuttaa vakavia vammoja. Tästä syystä paineilmaletkua ei saa kohdistaa toisiin tai itseensä.
8. Sammuuta ilmansyöttö ja irrota työväline seuraavissa tapauksissa:
 - Haluat vaihtaa lisävarusteita.
 - Haluat puhdistaa, korjata tai hoitaa työkalua.
 - Työvälinettä ei käytetä pidempään aikaan.
9. Tarkasta paineilmaletku ennen käyttöä. Letkua ei liitä työväliseen, jos se on vahingoittunut, murtunut, repeytynyt tai vääntynyt.
10. Tarkista aina paineilmailiitännät ennen työvälineen käyttöä. Jos niissä on merkkejä vaurioista, murtumisesta, halkeilusta tai liiallisesta korroosioista, ko. työvälinettä tai ilmaletkua ei saa käyttää.
11. Käytä vain hyväksytyjä sovittimia ja liittimiä, jos ne kuluvat, vaihda ne välittömästi..
12. Käytä vain sellaisia ilmaputkia, jotka sopivat käytettäväksi maksimipaineella.

Huolto-ohje:

8. Kuivaa suodatin (kuva1) ja työvälineen ilman sisääntulo.
9. Voitele pikaliitin lukkiutumisen ehkäisemiseksi.
10. Paineilmatyökalua täytyy voidella koko sen käyttöajan ajan. Ilmamoottori ja laakerit käyttävät paineilmaa työvälineen käynnistämiseksi. Paineilman kosteus ruostuttaa ilmamoottorin, moottori täytyy voidella päivittäin.
11. Älä säilytä työvälinettä pitkään korkeassa kosteudessa. Jos työväline jätetään sellaisenaan, jäännöskosteus työvälineen sisällä voi aiheuttaa ruostetta.
12. Ennen säilytystä työväline on voideltava ja sitä on käytettävä muutama minuutti.
13. Tarkasta karat, kierteet ja puristimet kulumisen ja toleranssin osalta hiomatuotteiden kohdalla.
14. Jos työkalu on vahingoittunut liian vakavasti eikä sitä voi enää käyttää, kierrätä raaka-aineet äläkä heitä sitä roskeen. Kone, lisävarusteet ja pakkaukset tulee luokitella ympäristöystävällisen kierrätyksen takaamiseksi. Kysy kierrätysohjeita paikallisilta viranomaisilta tai jälleenmyyjältä.

