

783-4-5-6 WITH TCR ACTUATOR

CHARACTERISTICS

783-5+TCR (L-hole) and 784-6 +TCR (T-hole) stainless steel 3-way ball valves are ideal for clean industrial fluid lines. Floating ball construction for DN 25 to 100. The 783-4-5-6 valve is CE 2014/68 approved. The ISO 5211 plate enables direct mounting of the TCR actuator. The TCR actuator is perfectly suited to industrial use, both indoors and outdoors under cover.

AVAILABLE MODELS

Réf.	Materials	Holes
783	carbon steel 1.0619	L
784	carbon steel 1.0619	T
785	stainless steel 1.4408	L
786	stainless steel 1.4408	T

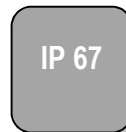
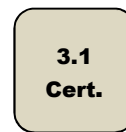
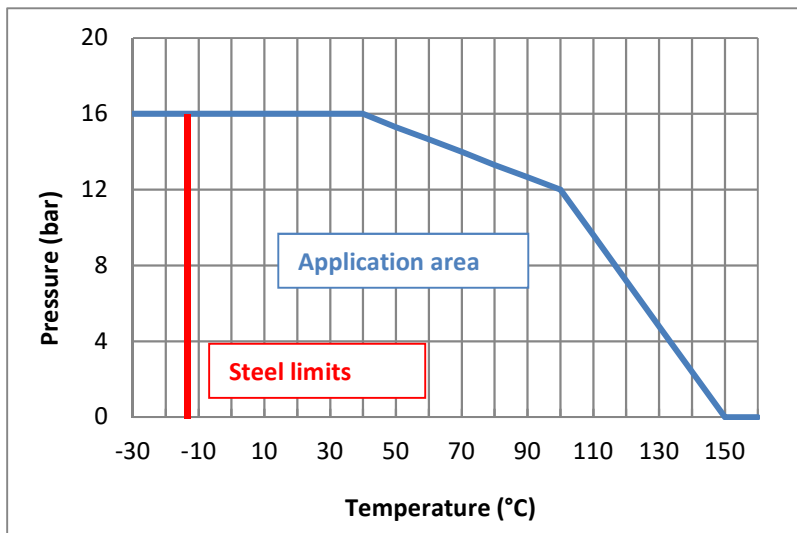
Diameters DN 25 to DN 100.

Flanged connections PN16 RF.

Voltages: 12VDC, 24VAC-DC et 230V.

LIMITS OF USE

Fluid pressure: PS	16 bar (20°C)
Fluid temperature: TS	steel : -20°C / +150°C st steel : -30°C / +150°C
Room temperature	- 20°C / + 60°C
Duty cycle	S4 - 50% (TCR 02N-05N-11N)
	S3 - 85% (TCR 20N-40N)



Information given as an indication only and subject to possible modifications



SECTORIEL S.A.
45 rue du Ruisseau
38290 SAINT QUENTIN-FALLAVIER – FRANCE
Tél : +33 4 74 94 90 70 - Fax : +33 4 74 94 13 95
www.sectoriel.com / Email : sectoriel@sectoriel.fr

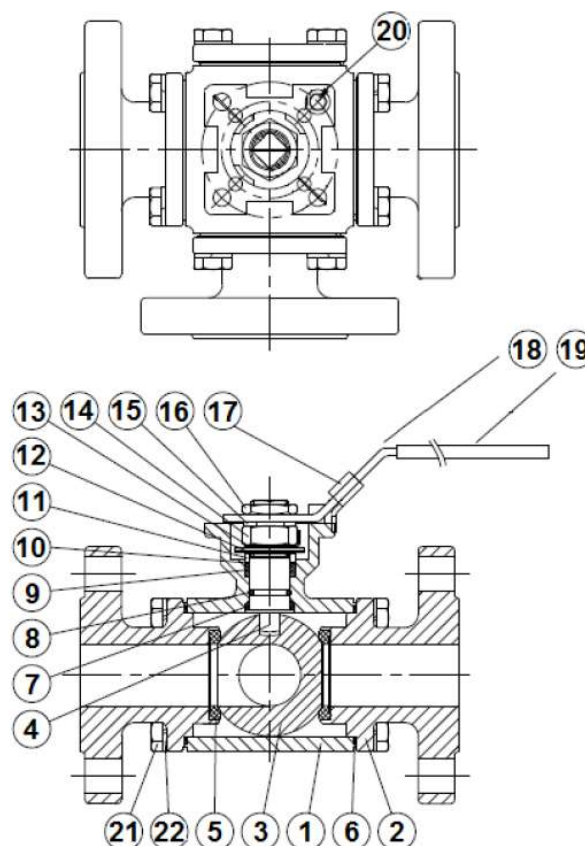
Pages	1/6
Ref.	FT783+TCR
Rev.	06
Date	11/2024

783-4-5-6 WITH TCR ACTUATOR

DIRECTIVES AND DEVELOPMENT STANDARDS


	Standard	NB		Standard
Directive CE 2014/68	Category II	0035	Material certificate	EN 10204
Dimensions	EN 12516-1		Alloy grade	EN 1503-1
Flange dimensions	EN 1092-1		Final testing	EN 12266
Motor connection	ISO 5211			

CONSTRUCTION



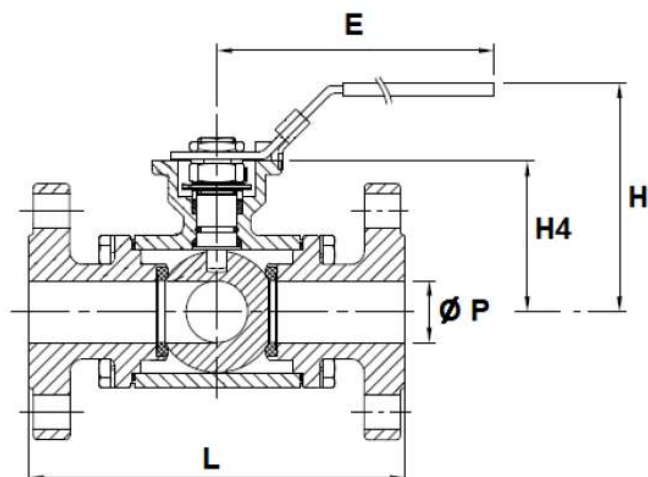
N°	Désignation	783-784 acier	785-786 inox	N°	Désignation	Matière
1	Body	Steel 1.0619	St Steel 1.4408	12	Belleville washer	St Steel 410
2	Ends	Steel 1.0619	St Steel 1.4408	13	Brake washer	St Steel 304
3	Ball	Inox 1.4308	St Steel 1.4408	14	P.E. nut	St Steel 304
4	Stem	Inox 304	St Steel 316	15	Handle washer	St Steel 304
5	Seat	PTFE+15% GF		16	Handle screw	St Steel 304
6	O-ring	PTFE		17	Locking devise	St Steel 304
7	Washer	PTFE		18	Lever	St Steel 304
8	Joint torique	FKM		19	Handle sleeve	Plastic
9	Gland packing	PTFE		20	Thrust stop	St Steel 304
10	P.E. gasket	PTFE+25% graphoil		21	End cap screws	St Steel 304
11	Valve gland	St Steel 304		22	End cap washer	St Steel 304

Information given as an indication only and subject to possible modifications

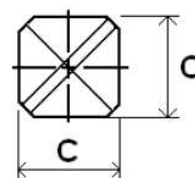
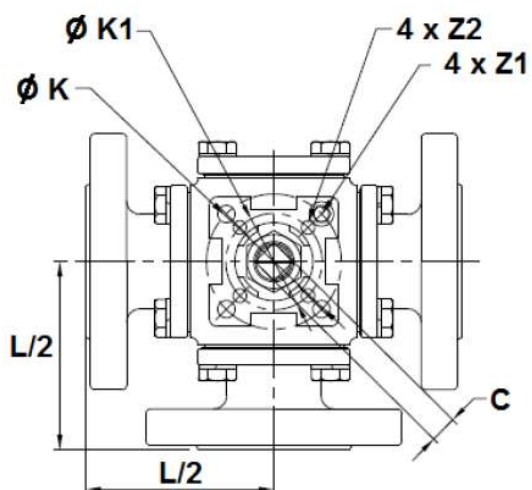
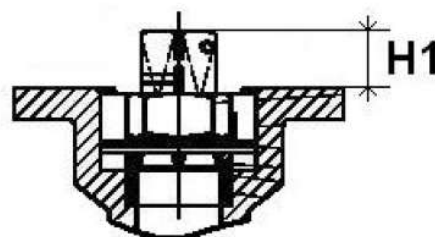
	SECTORIEL S.A. 45 rue du Ruisseau 38290 SAINT QUENTIN-FALLAVIER – FRANCE Tél : +33 4 74 94 90 70 - Fax : +33 4 74 94 13 95 www.sectoriel.com / Email : sectoriel@sectoriel.fr	Pages	2/6
		Ref.	FT783+TCR
		Rev.	06
		Date	11/2024

783-4-5-6 WITH TCR ACTUATOR

DIMENSIONS (mm) (DN25 to DN40)




Dimensions de l'axe :



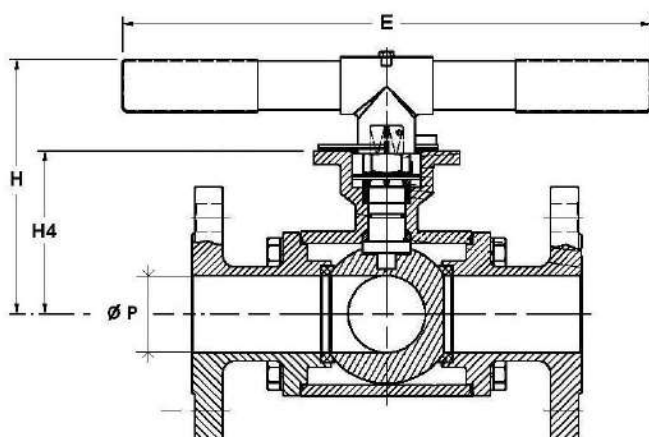
DN	25	32	40
ØP	25	32	38
L	185	195	232
L/2	92.5	97.5	116
E	218	235	235
H	102	118.5	127
H1	11.5	15.2	14.3
H4	64	79	88.5
C	11	14	14
Ø K	50	70	70
Ø K1	-	50	50
4 x Z1	4x7	4x9	4x9
4 x Z2	-	4x7	4x7
weight (kg)	7.5	10.9	14.9

Information given as an indication only and subject to possible modifications

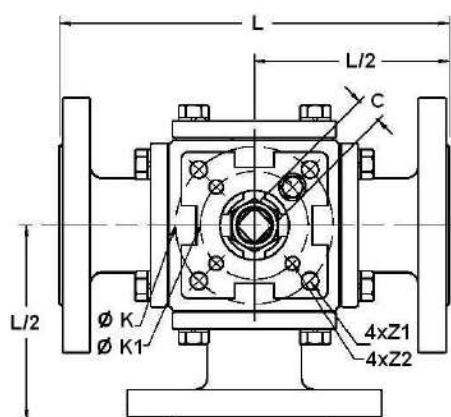
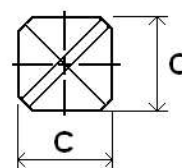
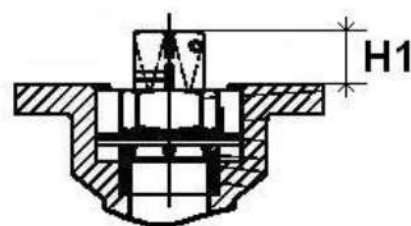
	SECTORIEL S.A. 45 rue du Ruisseau 38290 SAINT QUENTIN-FALLAVIER – FRANCE Tél : +33 4 74 94 90 70 - Fax : +33 4 74 94 13 95 www.sectoriel.com / Email : sectoriel@sectoriel.fr	Pages	3/6
		Ref.	FT783+TCR
		Rev.	06
		Date	11/2024

783-4-5-6 WITH TCR ACTUATOR

DIMENSIONS (mm) (DN50 à DN80)




Dimensions de l'axe :



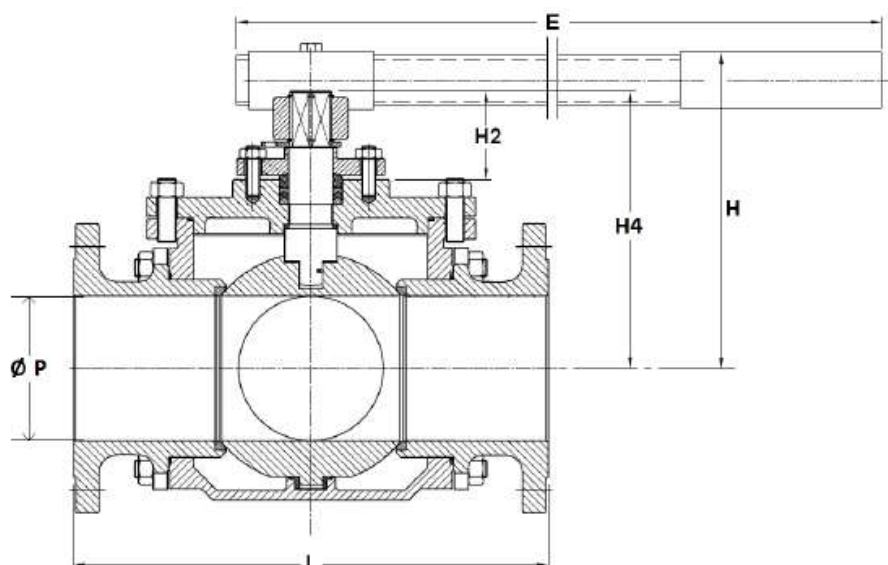
DN	50	65	80
ØP	50	65	76
L	253	270	292.2
L/2	126.5	135	146.1
E	400	400	400
H	154.8	166.2	173.8
H1	17.8	17.5	17.5
H4	105.8	117.3	128
C	17	17	17
Ø K	102	102	102
Ø K1	70	70	70
4 x Z1	4x11	4x11	4x11
4 x Z2	4x9	4x9	4x9
weight (kg)	19	23.75	34.5

Information given as an indication only and subject to possible modifications

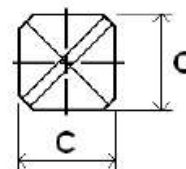
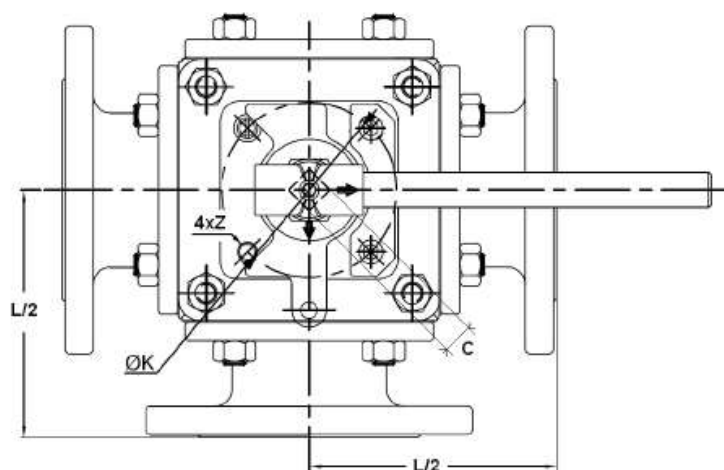
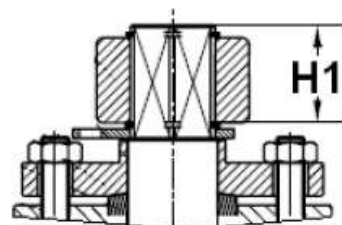
	SECTORIEL S.A. 45 rue du Ruisseau 38290 SAINT QUENTIN-FALLAVIER – FRANCE Tél : +33 4 74 94 90 70 - Fax : +33 4 74 94 13 95 www.sectoriel.com / Email : sectoriel@sectoriel.fr	Pages	4/6
		Ref.	FT783+TCR
		Rev.	06
		Date	11/2024

783-4-5-6 WITH TCR ACTUATOR

DIMENSIONS (mm) DN100




Dimensions de l'axe :



DN	100
ØP	100
L	360
L/2	180
E	600
H	212
H1	33
H2	70
H4	183
C	27
Ø K	125
4 x Z	4xM12x1,75
Weight (kg)	67.4

Information given as an indication only and subject to possible modifications

	SECTORIEL S.A. 45 rue du Ruisseau 38290 SAINT QUENTIN-FALLAVIER – FRANCE Tél : +33 4 74 94 90 70 - Fax : +33 4 74 94 13 95 www.sectoriel.com / Email : sectoriel@sectoriel.fr	Pages	5/6
		Ref.	FT783+TCR
		Rev.	06
		Date	11/2024

783-4-5-6 WITH TCR ACTUATOR

TCR ELECTRIC MOTORIZATION

The TCR engine offered as standard is for:

- Actuator with IP67 plastic housing and steel gearbox,
- safety factor at least 1.3 relative to the valve's nominal torque,
- upstream/downstream pressure difference $\Delta P=10$ bar max.

Direct actuator mounting.

DN	Actuator	power 230V ca / 24V ca-cc	Time 230V ca	Time 24 V ca-cc	Standard actuator equipment
25	TCR-05N	25	12s	12s	2 adjustable limit switches 2 dry auxiliary contacts Motor thermal protection 2-3W regulated anti-condensation resistor Key-operated manual override 3D visual position indicator Electrical connection: TRC02 : 1 x PE M10 + cable 1,5m TCR05 : 1 x PE M20 + cable 1,5m TCR11 : 2 x PE M14 + cable 1,5 m TCR20 : 2 x PE M20 + cable 1,5 m TCR40 : 2 x PE M20 + cable 1,5 m
32	TCR-05N	25	12s	12s	
40	TCR-11N	100	10s	10s	
50	TCR-20N	50	25s	25s	
65	TCR-40N	80	25s	25s	
80	TCR-40N	80	25s	25s	
100	TCR-40N	80	25s	25s	

For all other operating conditions, please consult us.


*Indicative actuator time with no charge

ACTUATION OPTIONS

There are many different options. Please contact our commercial department.

1	NC actuator - capacitor return - TCR-KT32
2	Quick-acting actuator - TRC-NH
3	Intelligent actuator with adjustable operating time - TCR-C
4	Regulating actuator - TCR-T
5	NC control actuator - capacitor return - TCR-T-KT32
6	Servomotor with field bus - TCR-B
7	Actuator with integrated timer - TCR-D
8	Actuator with wireless control - TCR-R

Information given as an indication only and subject to possible modifications

	SECTORIEL S.A. 45 rue du Ruisseau 38290 SAINT QUENTIN-FALLAVIER – FRANCE Tél : +33 4 74 94 90 70 - Fax : +33 4 74 94 13 95 www.sectoriel.com / Email : sectoriel@sectoriel.fr	Pages	6/6
		Ref.	FT783+TCR
		Rev.	06
		Date	11/2024